

DIMMER SET INSTRUCTIONS

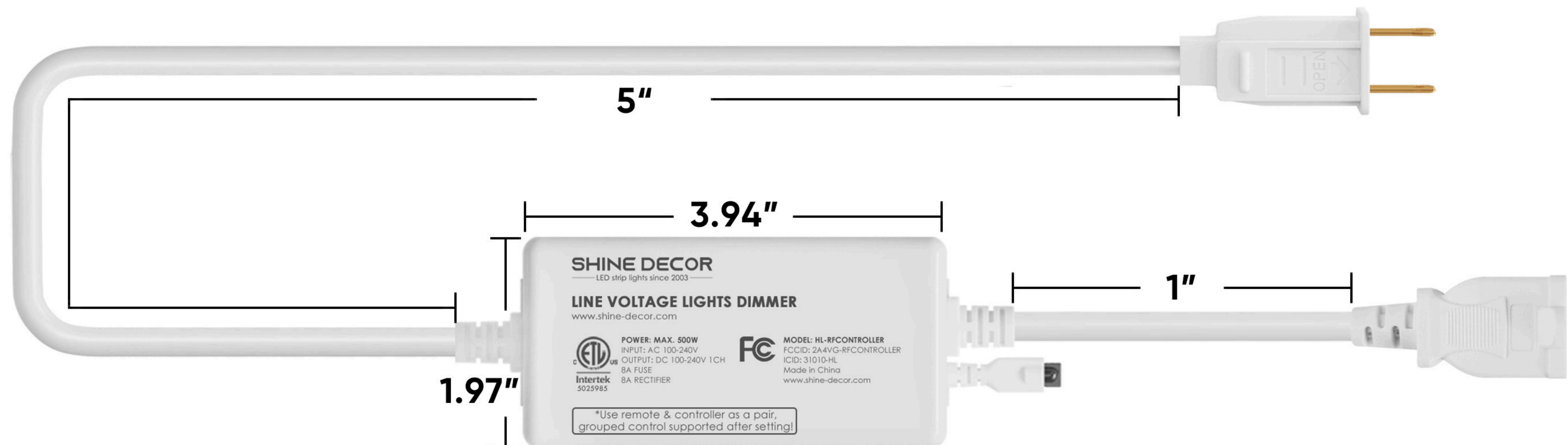
WARNING

1. Risk of electric shock! Turn off power before installation.
2. Do not exceed 150ft in one continuous run.
3. Lights are wet rated, but not submersible. All connections are not sealed by factory and must be sealed by sealant and heat shrink tube before used outdoors.

DIMMER INFORMATION

POWER:	500W	MAX. RUN LENGTH:	AC 120V	FUSE:	8A	CONTROL TYPE:	Radio Frequency
MAX. RUN LENGTH:	150FT	OUTPUT VOLTAGE:	DC 120V	GROUP CONTROL:	Supported	WET RATED:	Yes, but connections are non-waterproof

DIMENSIONS



REMOTE INFORMATION

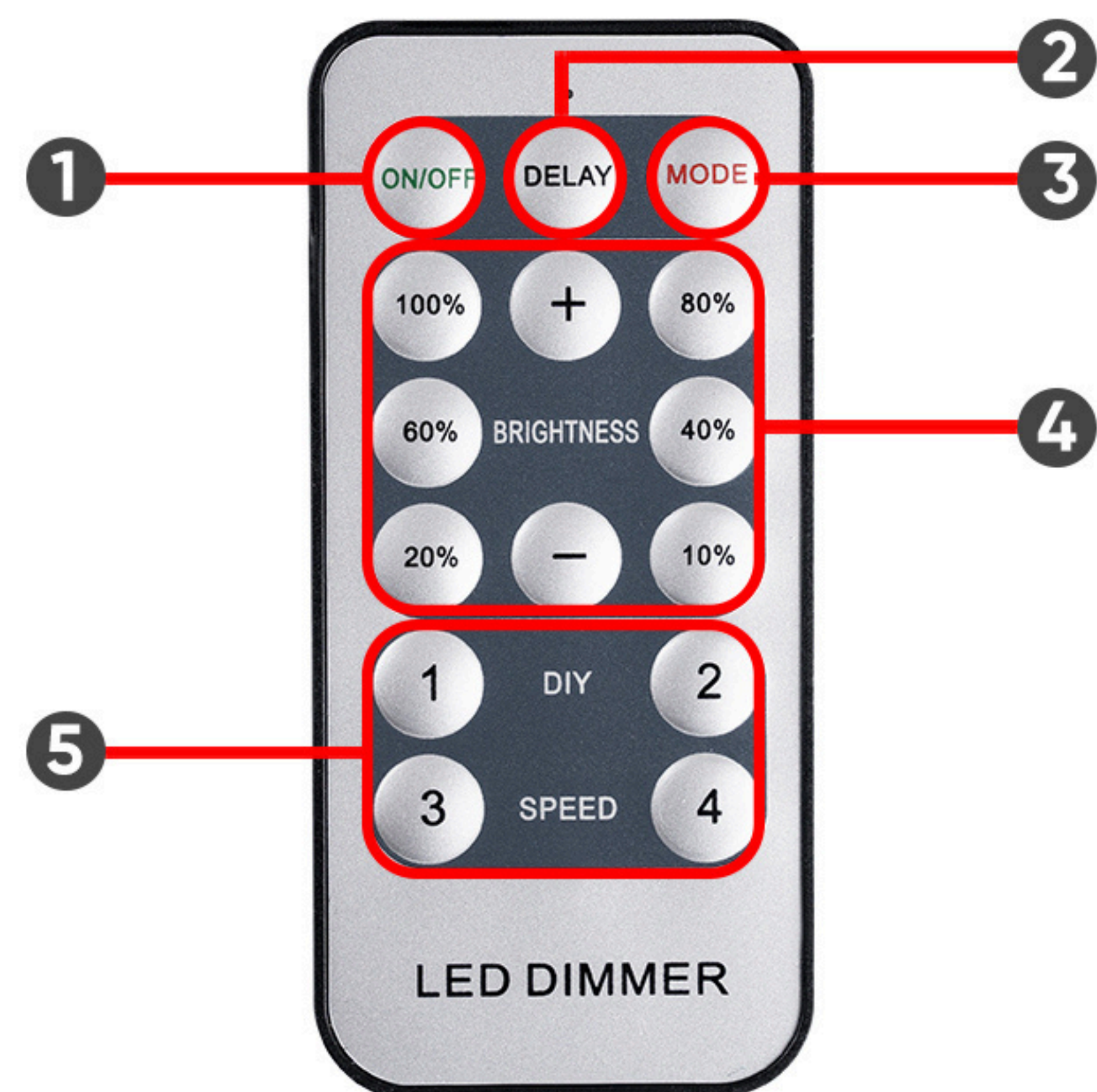
BATTERY: CR2025 (NOT INCLUDED)

REMOTE FREQUENCY: 433MHZ

REMOTE DISTANCE: UP TO 20 METERS

GROUP CONTROL: SUPPORTED

REMOTE FUNCTIONS



1.ON/OFF:
Press ON key to turn on tunit. Press OFF key to turn off. Retains last setting between power off and power on.

2.DELAY:
Press DELAY key to turn off power after 15 seconds.

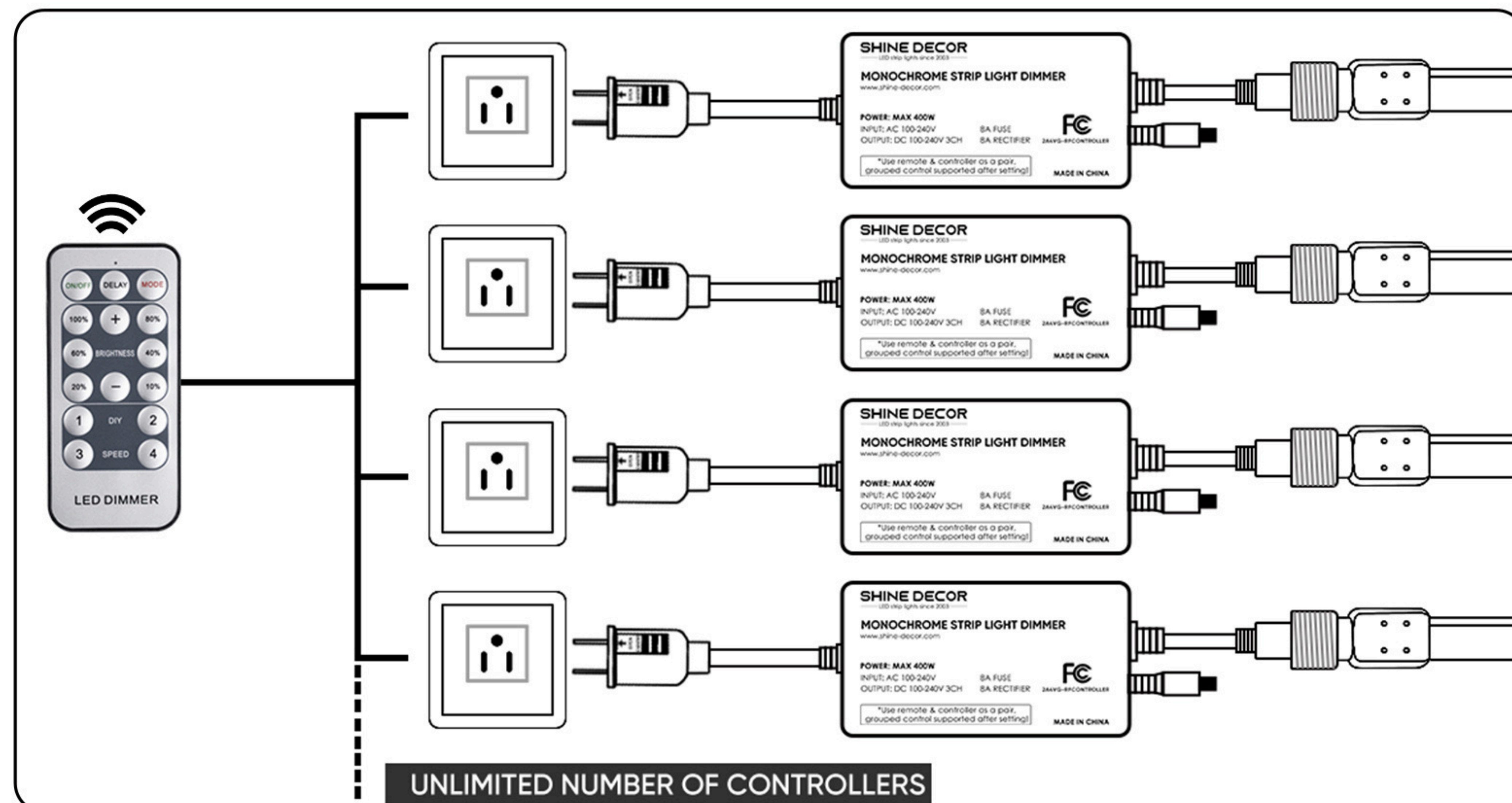
3.MODE:
Select dynamic modes featuring a variety of static color transitions and patterns.

4.BRIGHTNESS
Increase or decrease the brightness level.

5.DIY
In static mode, press 1/2/3/4, it can remember the brightness.
In dynamic mode, press 1/2/3/4, it can remember the speed.

REMOTE PAIRING INSTRUCTIONS

Each individual wireless remote can be assigned to an unlimited number of controllers. The following steps show how to assign a new to the dimmer.



1.Connect the dimmer with led light unit, and turn on power.

2.Hold down the brightss increase button "+" for 5 seconds.

3.Led light unit will flash indicating the remote has been successfully assigned.

4.Press other random key on remote to restore static mode.