




**LUMENS DEPOT**  
PRO LIGHTING SOLUTION




# SMART NEON™

RGB ROPE LIGHTS INSTRUCTIONS



 Download on the App Store

 Download on the App Store

# CONTENTS

---

**01** Disclaimer

---

**01** Warranty

---

**02** Warning

---

**02** Specifications

---

**03** Connection  
Instructions

---

**05** Remote Control  
Instructions

---

**07** App Control  
Instructions

---

**08** Cutting  
Instructions

---

**09** Soldering  
Instructions

---

**10** Waterproofing  
Instructions

---

**11** Mounting  
Instructions

---

**12** Troubleshooting



## DISCLAIMER

Dear customer, these instructions are suggested installation procedures only, they do not constitute professional installation and may not necessarily meet all electrical requirements in your state.

**The power adapter** which covered by ETL report is not intended to be field cutting or splicing.

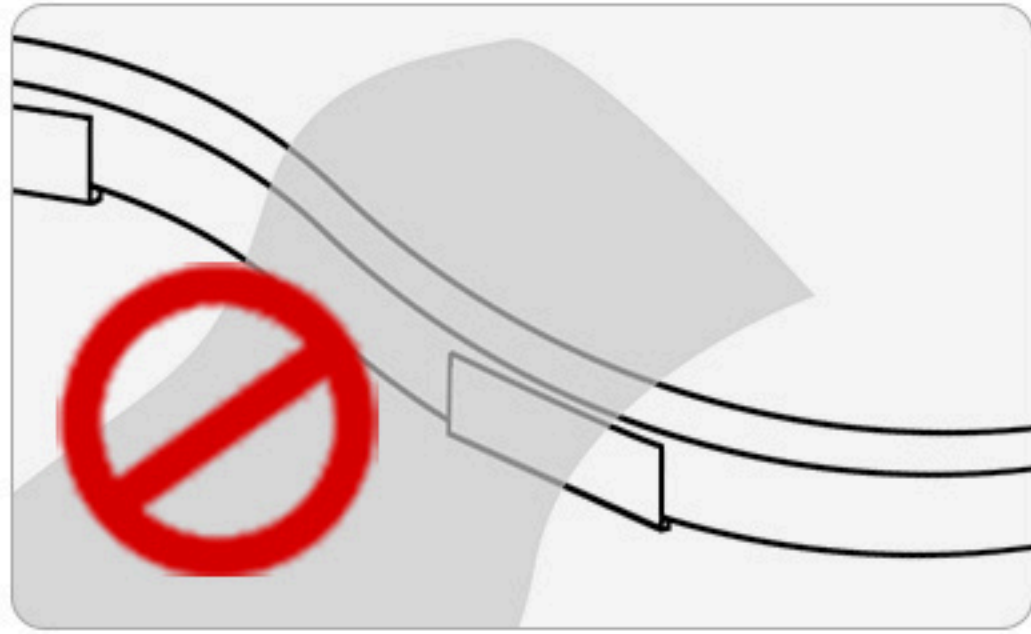
**The controller device** complies with Part 15 of the FCC Rules. Operation is subject to the following two conditions:(1) this device may not cause harmful interference, and (2) this device must accept any interference received, including interference that may cause undesired operation. Changes or modifications not expressly approved by the party responsible for compliance could void the user's authority to operate the equipment.

**FCC ID: 2AZ52-SHYBTXBHDX24**

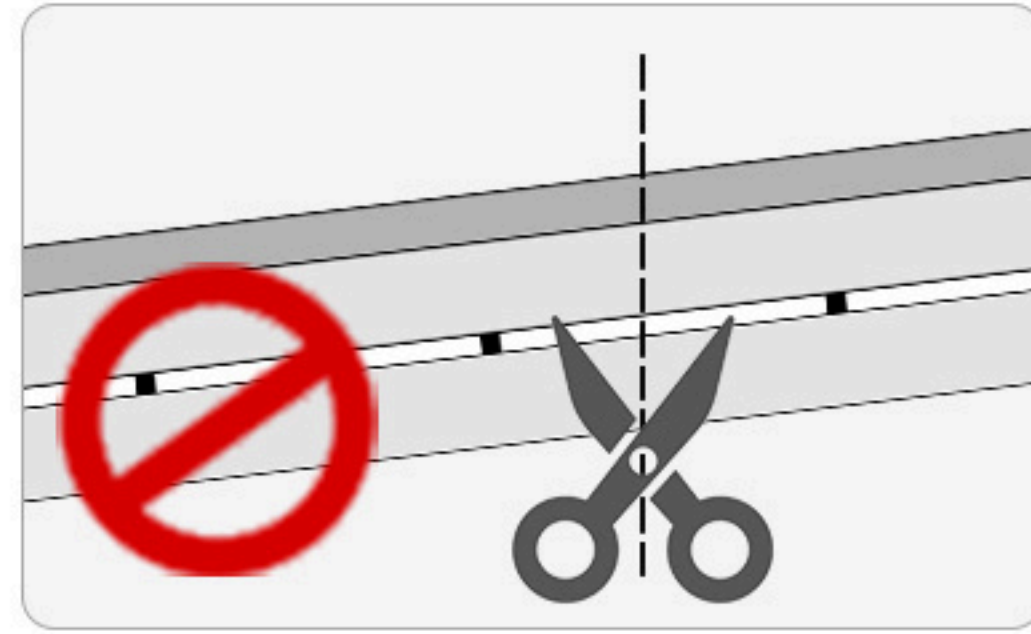
## WARRANTY

All of our products are warranted against defects in materials and workmanship for a period of one year from the date of original purchase. We provide 1 month hassle-free full refund, 6 months money back or free replacement and 12 months limited warranty.

# WARNING



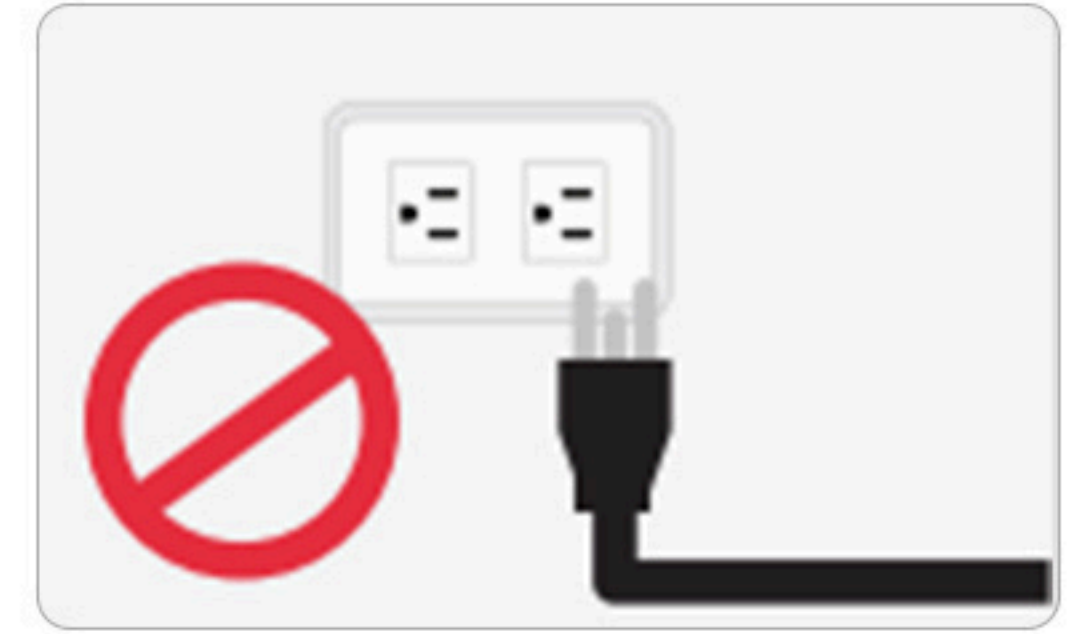
1. Do not cover this product as the covering may cause the light to overheat and melt or ignite.



2. Do not cut the light anywhere other than the designated cutting point.



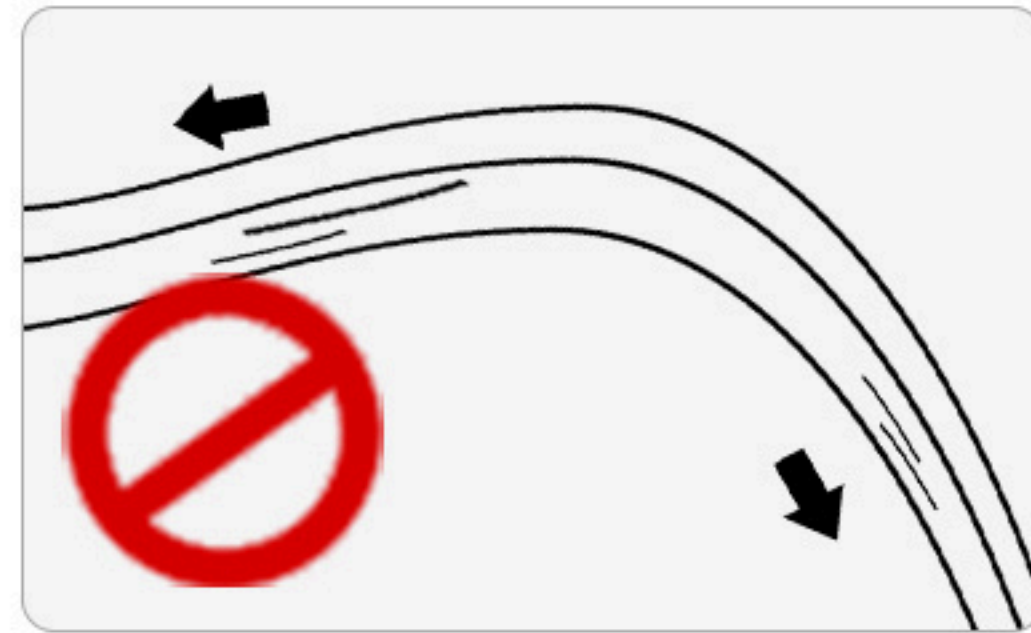
3. Unroll the light before lighting it up. Or else it might melt the rope light and even cause a fire.



4. Unplug the light before installation.



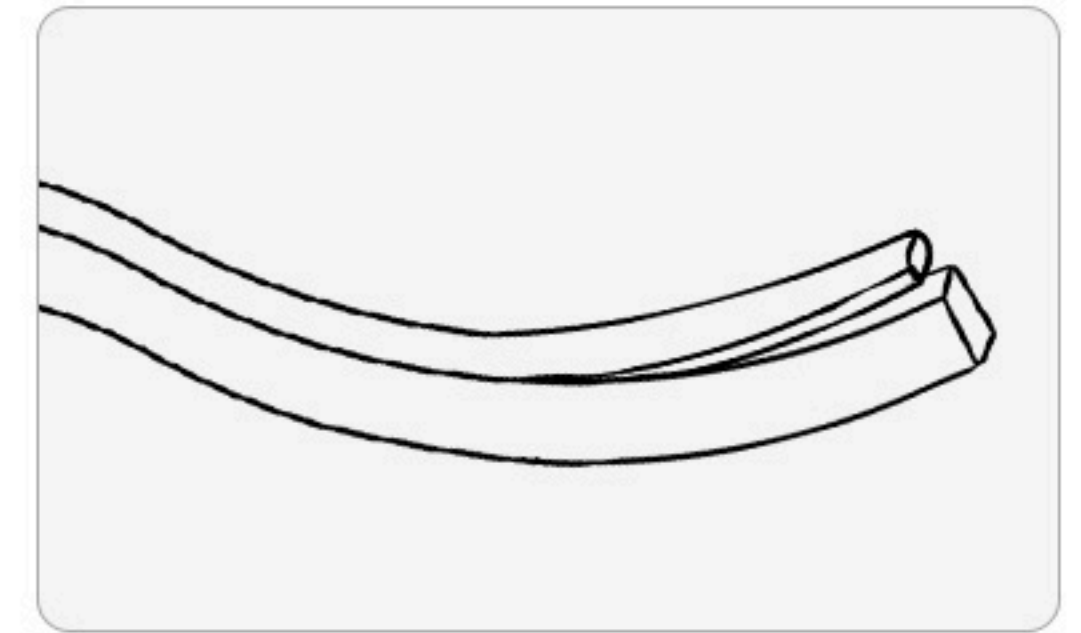
5. Do not submerge the light in liquids. Connections are non-waterproof yet. Keep all connections away from water and moisture to prevent circuit damage which can lead to fires.



6. Do not pull on or stretch rope light as this will damage the inner wires, causing sections to fail.



7. 12V DC LED strip longest length is 16ft (5 metres). 24V DC LED strip longest length is 32ft (10 metres). Do not exceed these lengths as the LED strip will suffer a voltage drop and the brightness of the LEDs will not be constant along the strip.



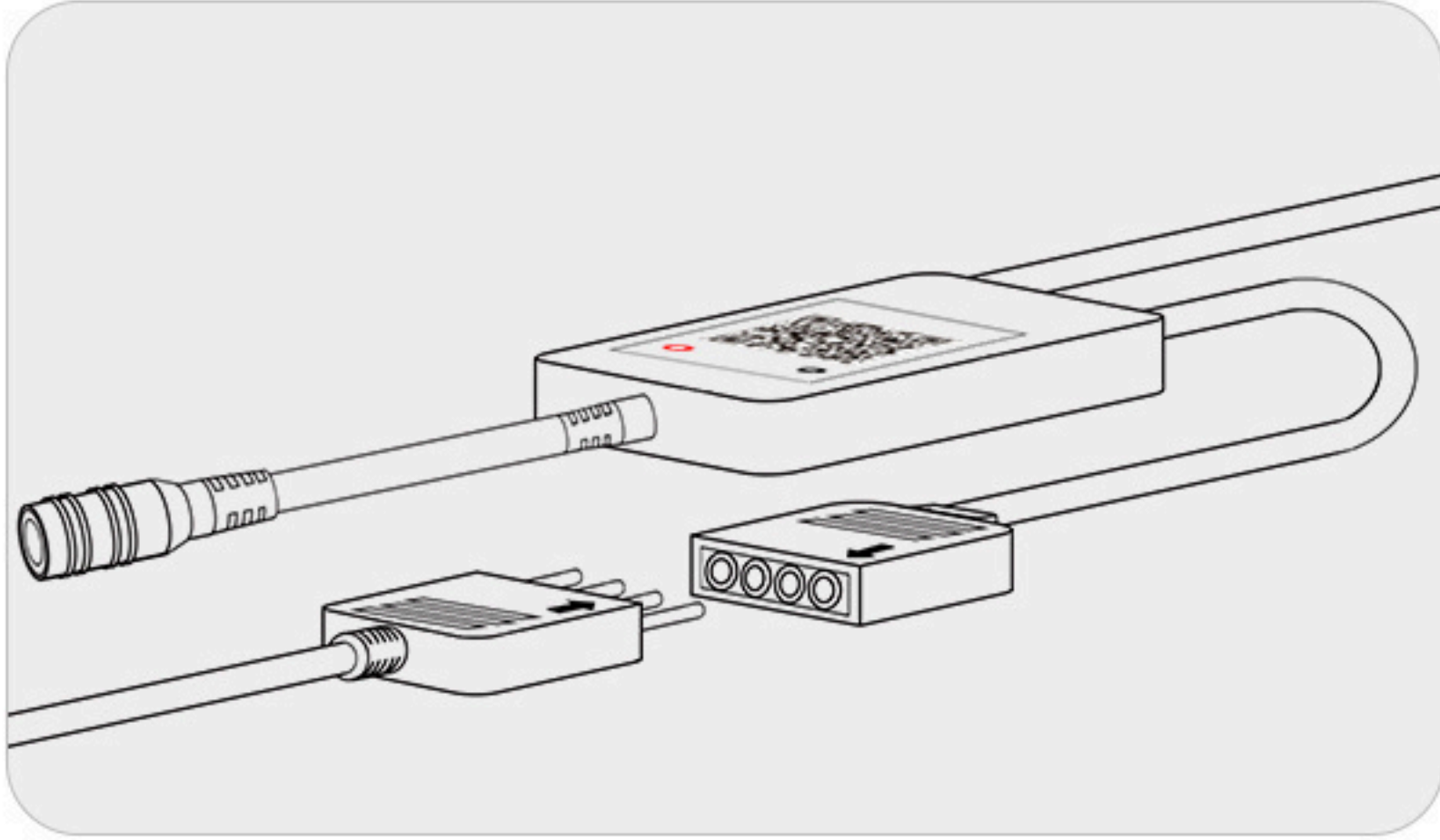
8. Do not mount or support the light in a manner that can damage the outer jacket or cord insulation. Inspect periodically.

# SPECIFICATION

Input Voltage	Color	Size	Jacket Material	CRI	LED Quantity	IP Rating	Power Consumption	Power Adapter Certification	Cutting Unit	Max. Run Length Per Input
12V DC	RGB	6*12mm	Silicone	>80	120led/m	IP65	12w/m	ETL listed	1 inch/2.5cm	16ft
24V DC	RGB	6*12mm	Silicone	>80	120led/m	IP65	10.7w/m	ETL listed	2 inches/ 5cm	32ft

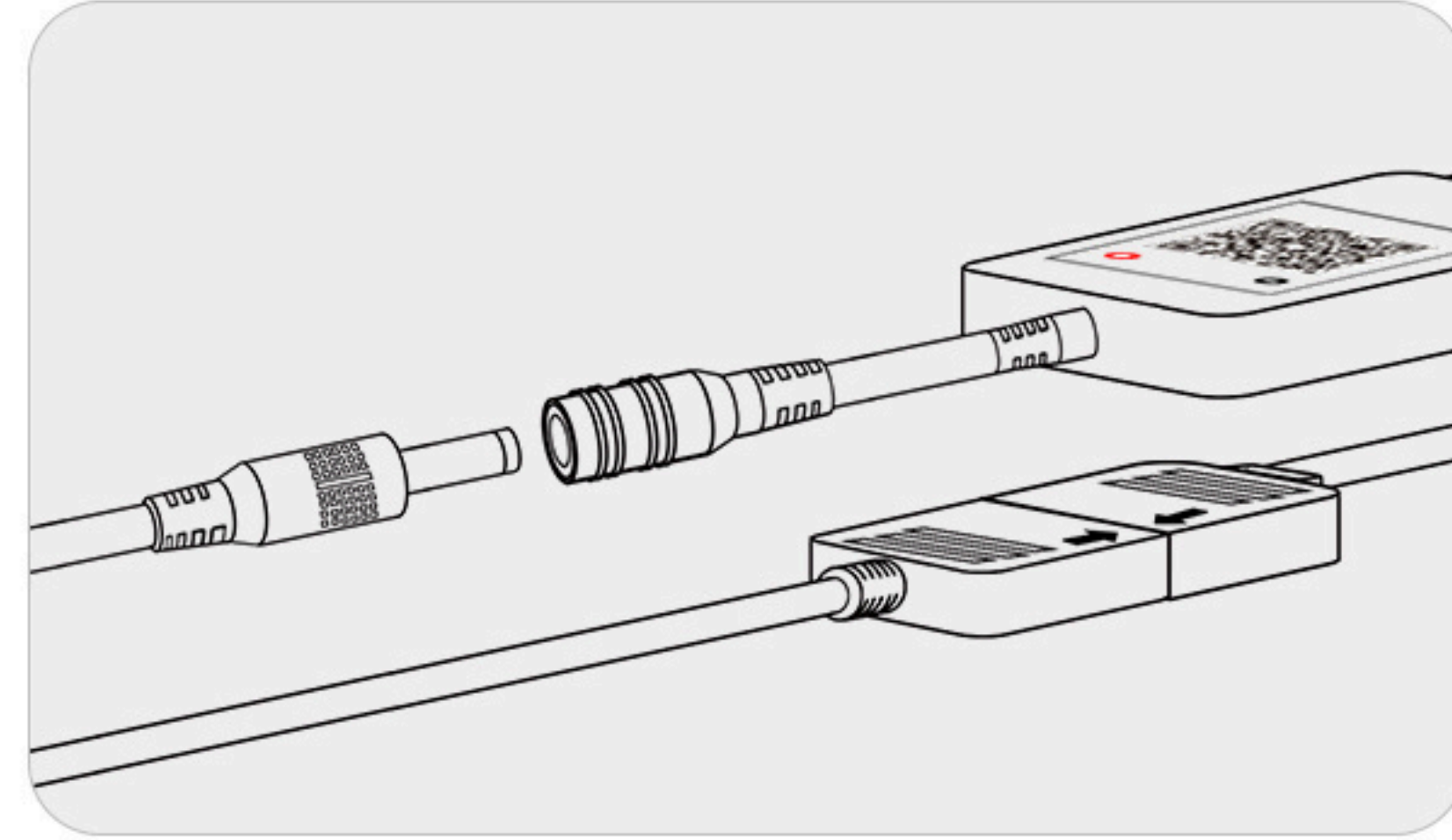
# CONNECTION INSTRUCTIONS





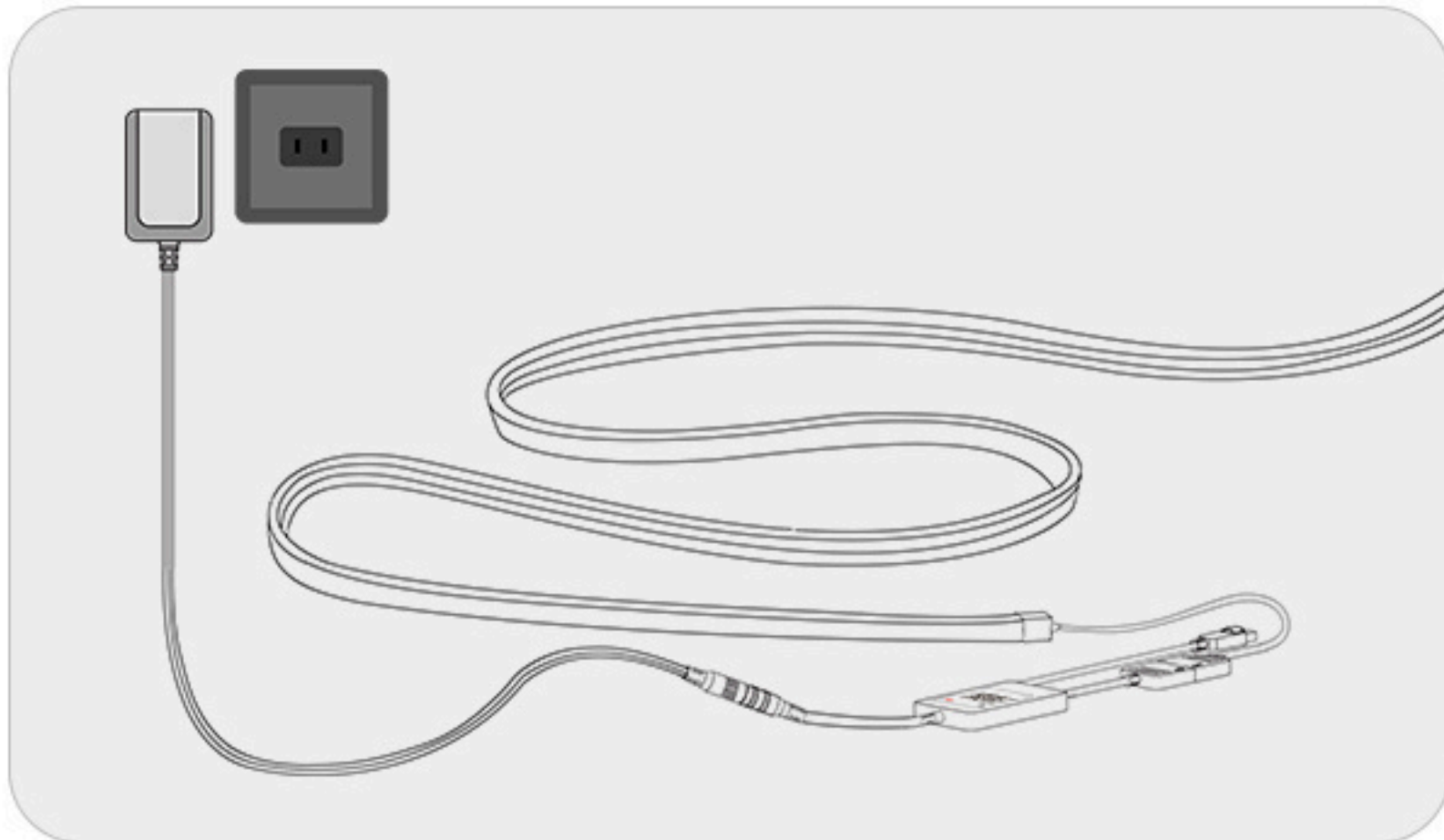
**STEP 1:**

Connect the 4-pin connectors of the strip and the controller arrow to arrow.



**STEP 2:**

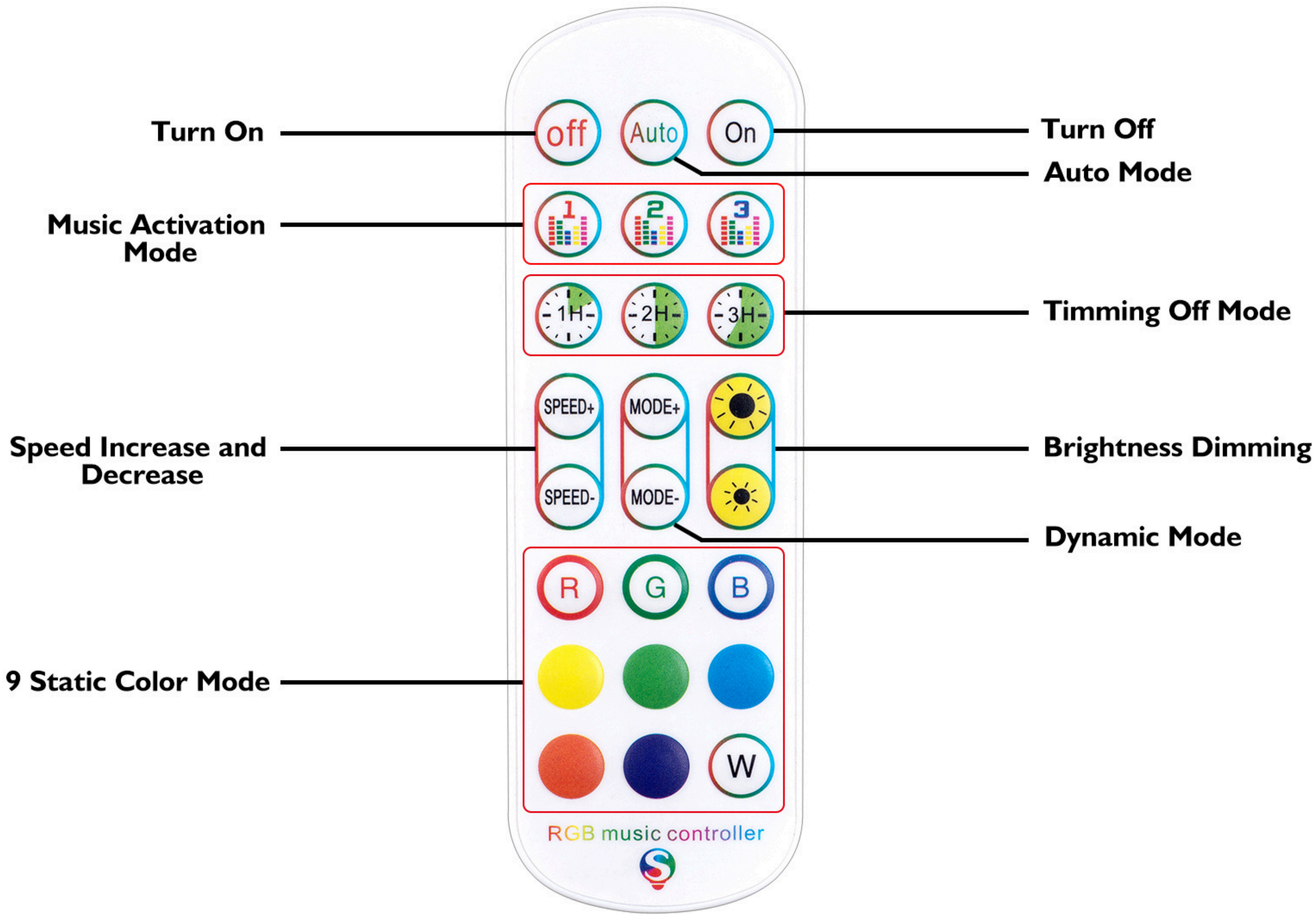
Connect the controller to the DC wire of the power adapter.

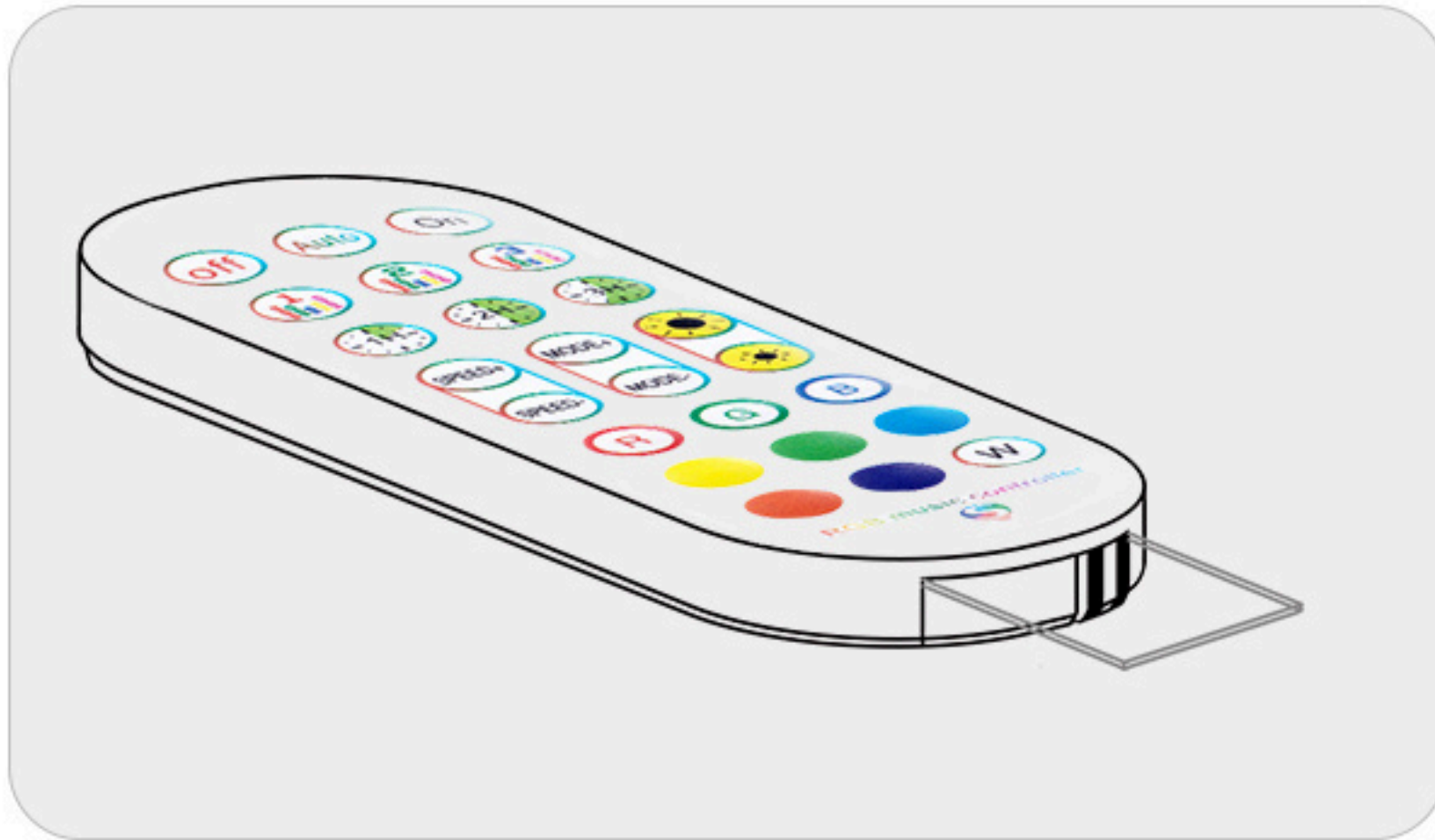


**STEP 3:**

Connect to the power supply.

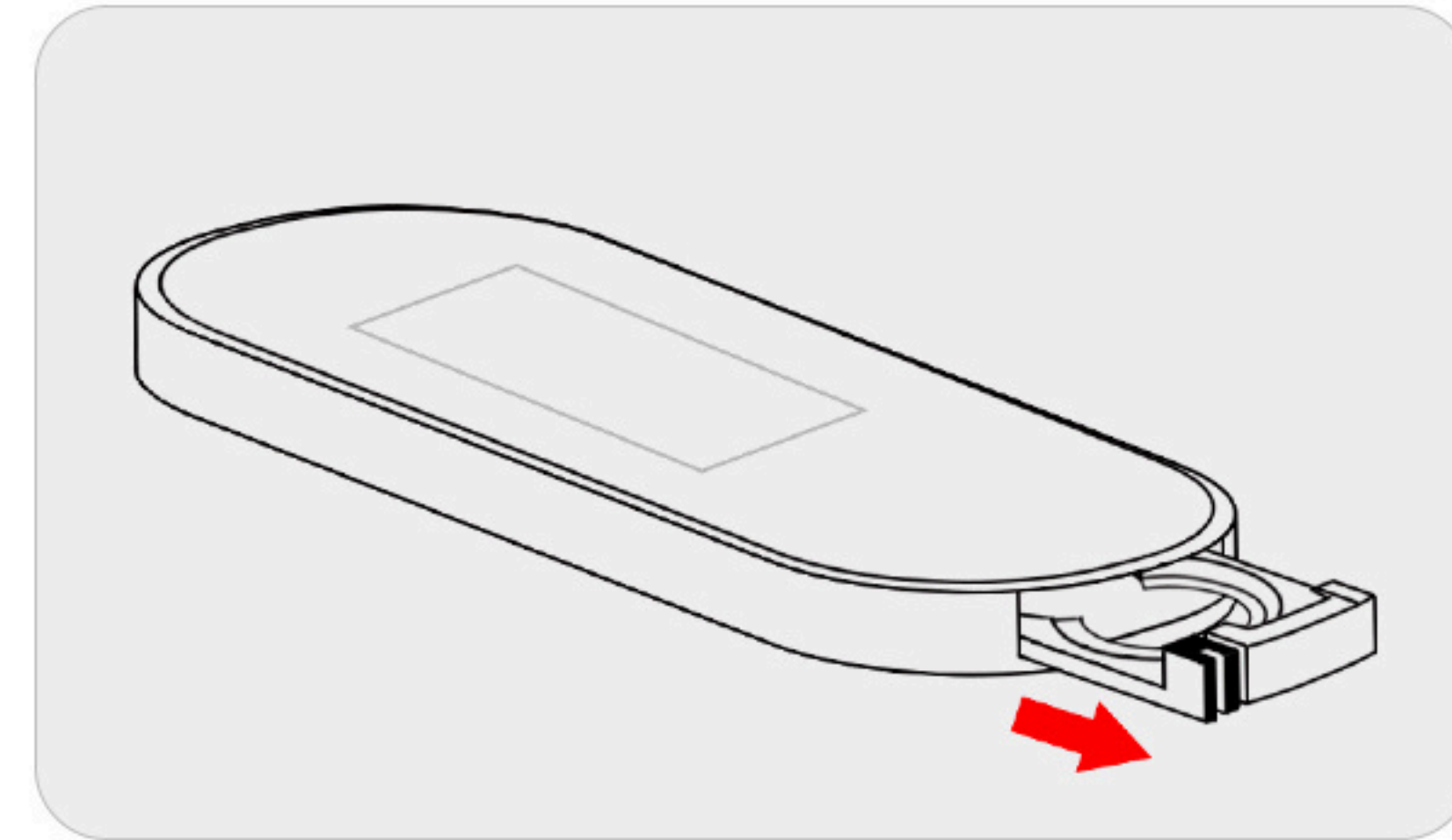
# REMOTE CONTROL INSTRUCTIONS





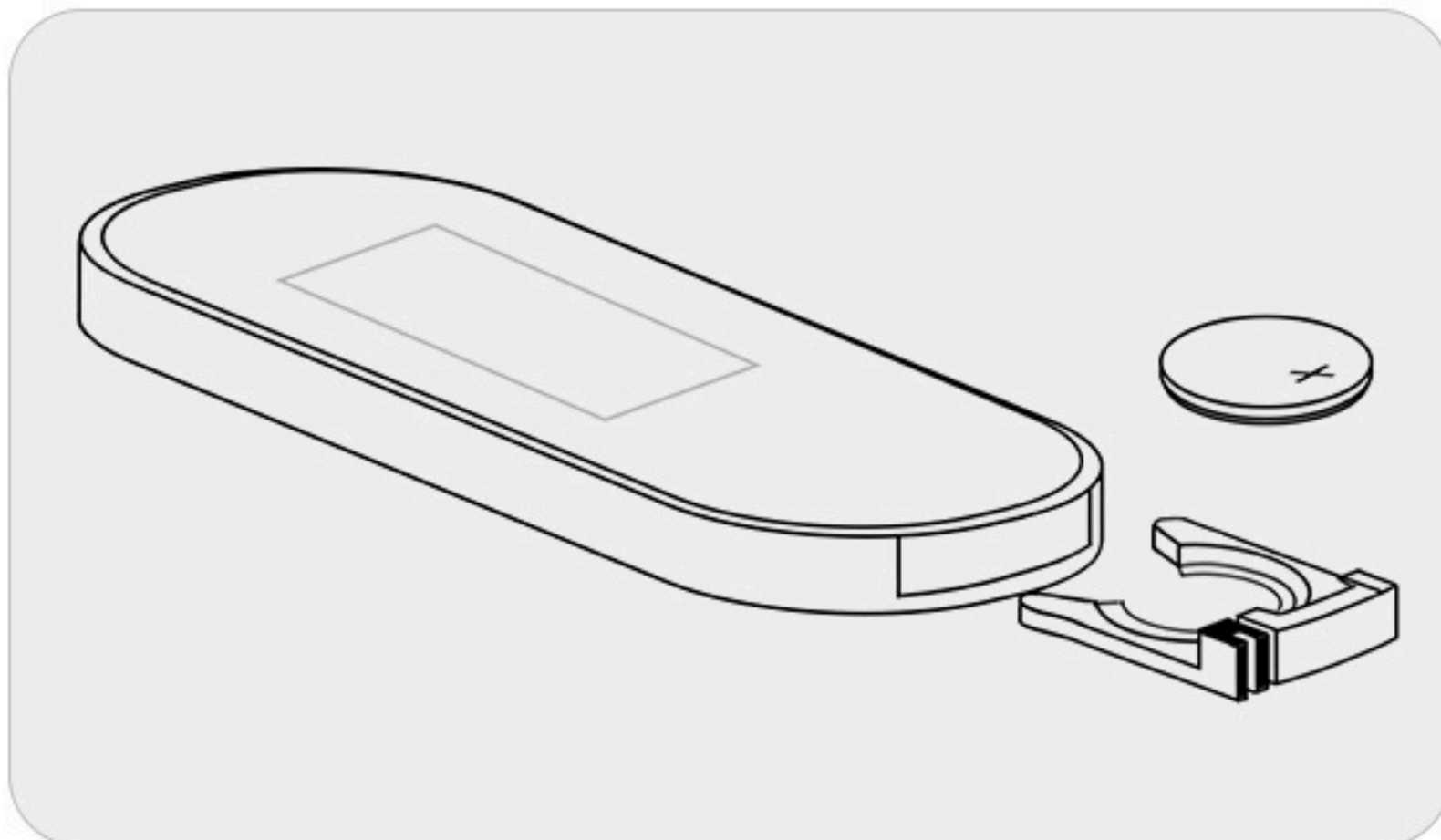
**STEP 1:**

Pull out the transparent chip.



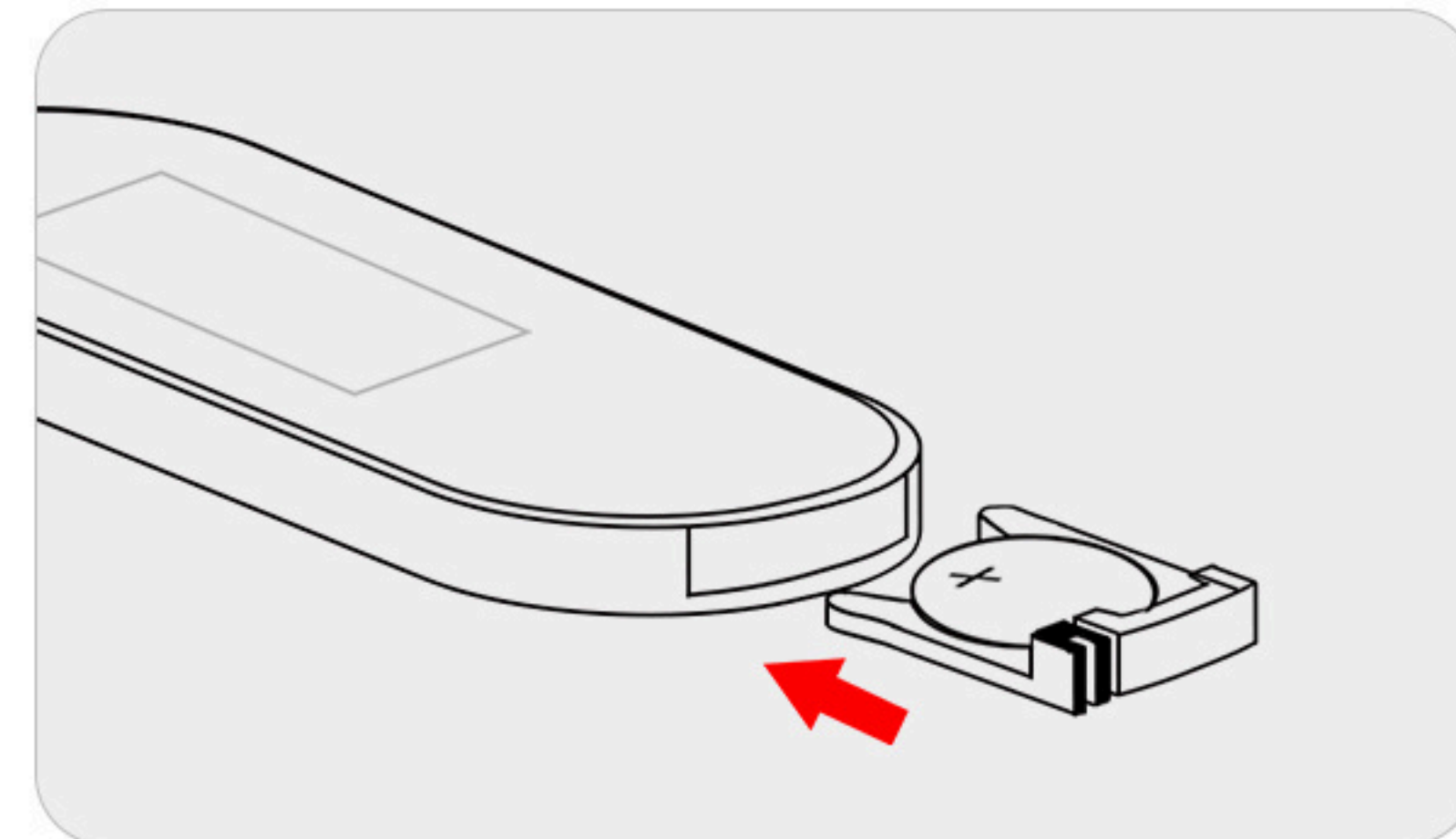
**STEP 2:**

Press down on the tab and insert your fingernail into the slit to pull out the battery case.



**STEP 3:**

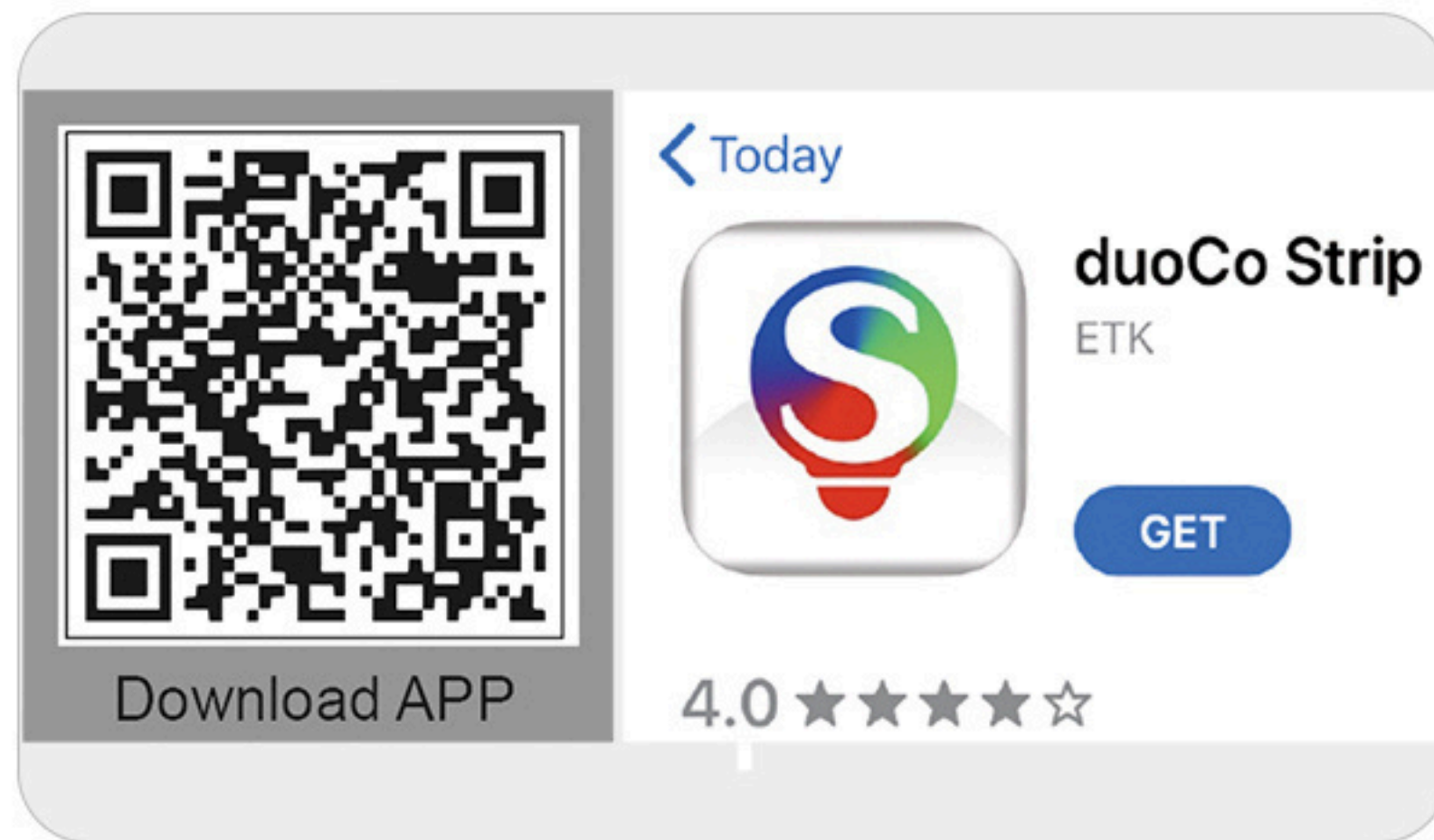
Place a new cr2025 battery in the battery case with the + side facing up.



**STEP 4:**

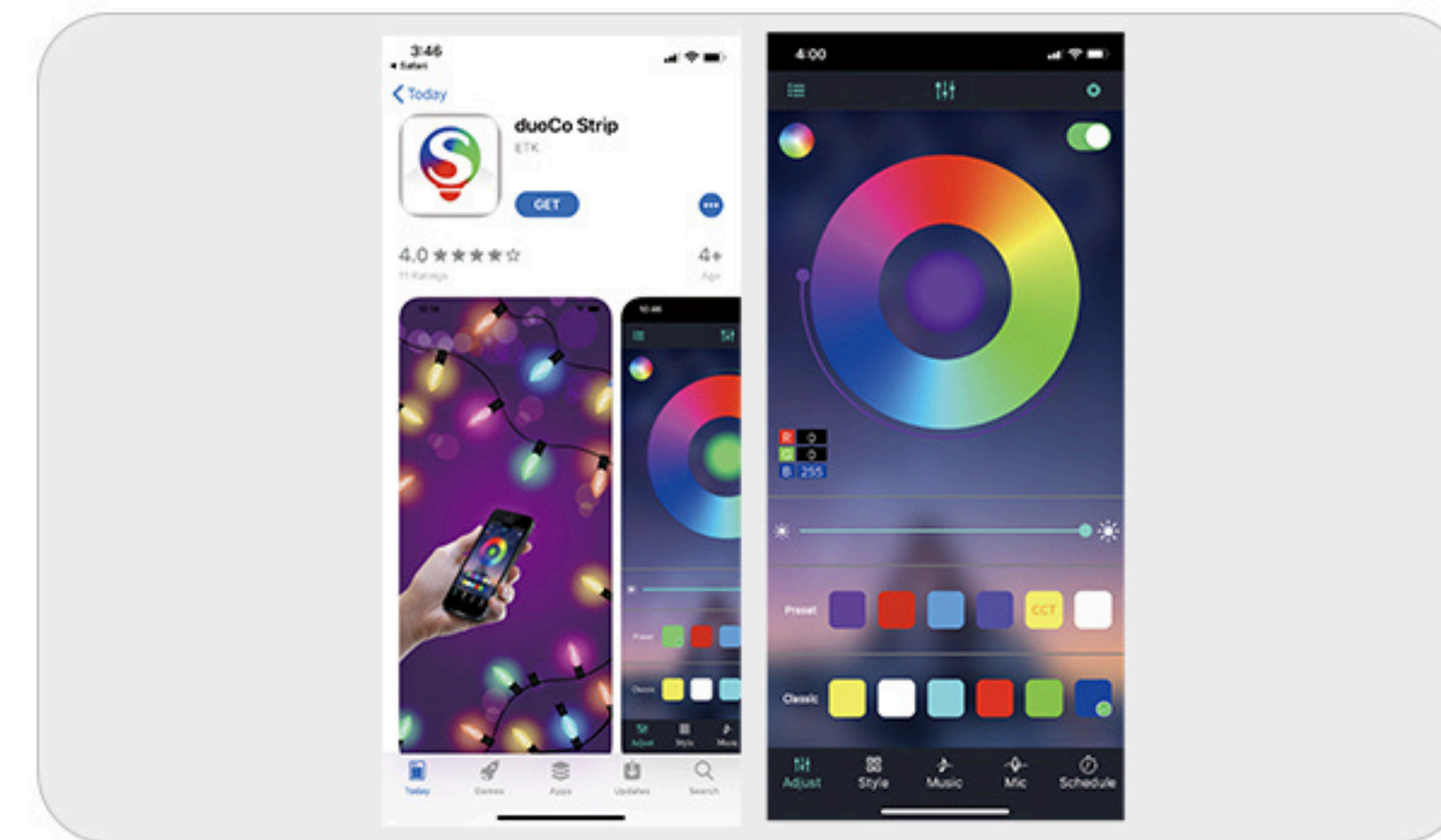
Insert the battery case back into the wireless remote control transmitter unit until it clicks.

# APP CONTROL INSTRUCTIONS



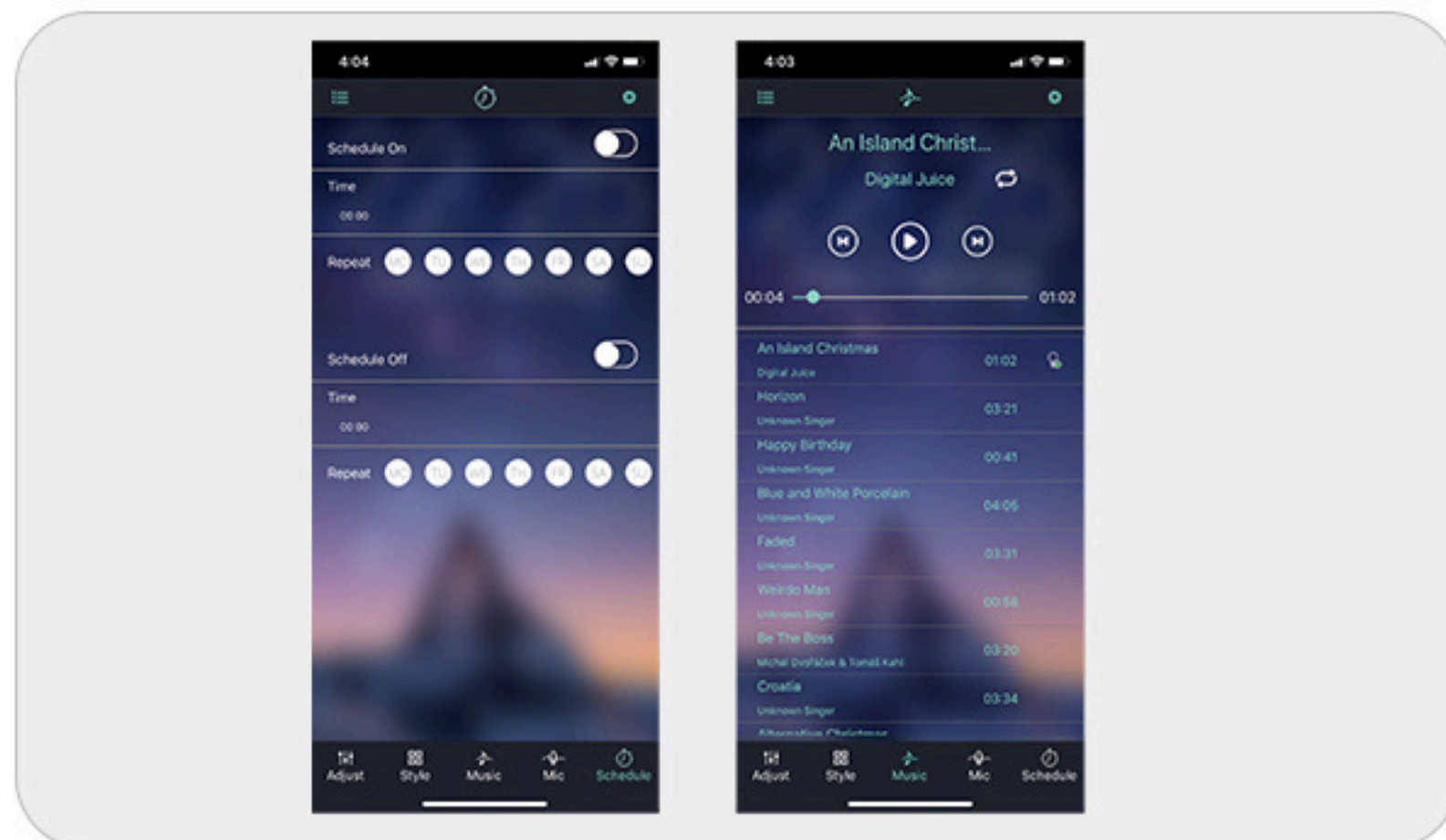
## STEP 1:

Scan the QR code to download “duoCo Strip” app.



## STEP 2:

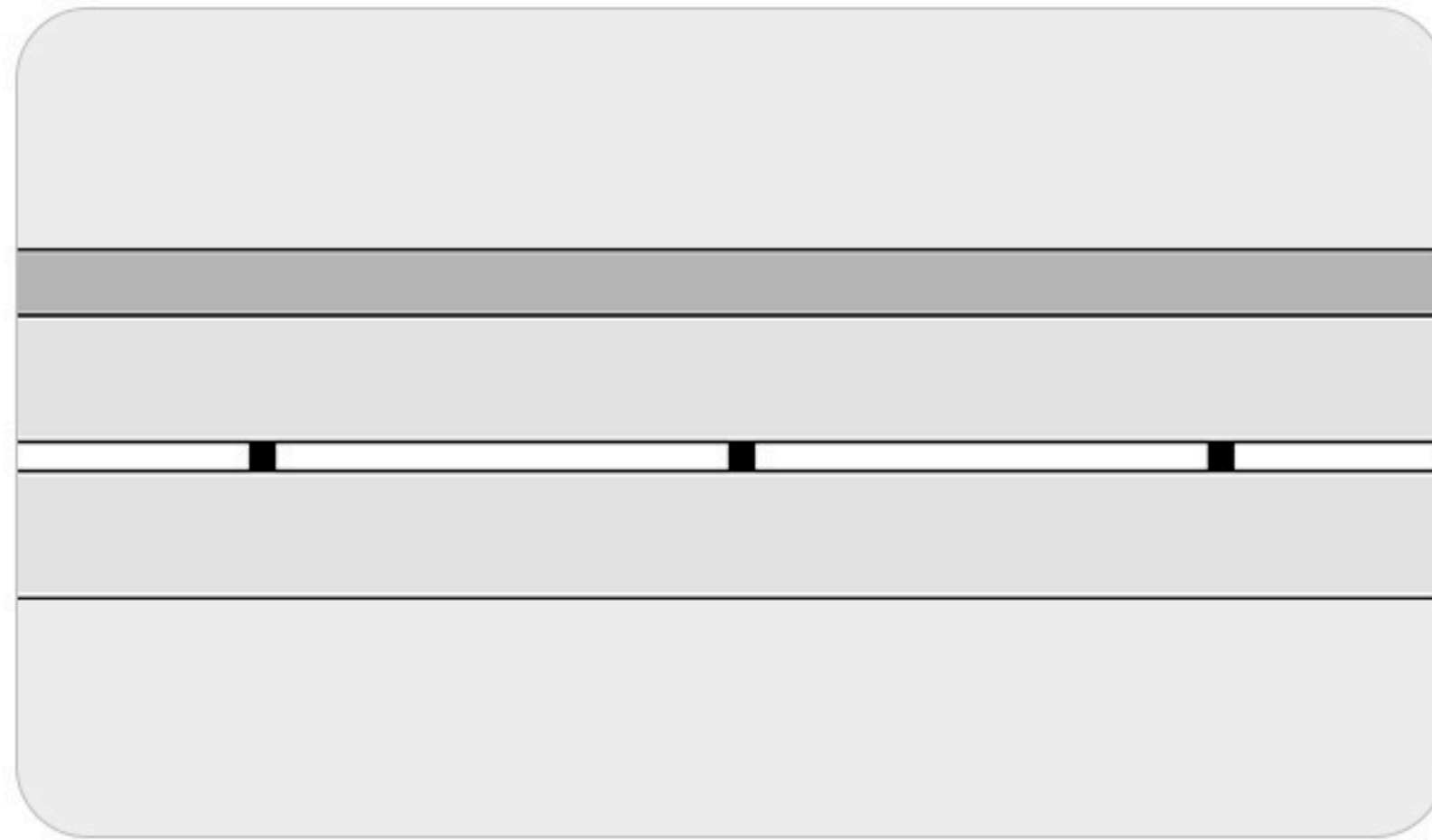
Turn on Bluetooth on your mobile phone and open the app.



## STEP 3:

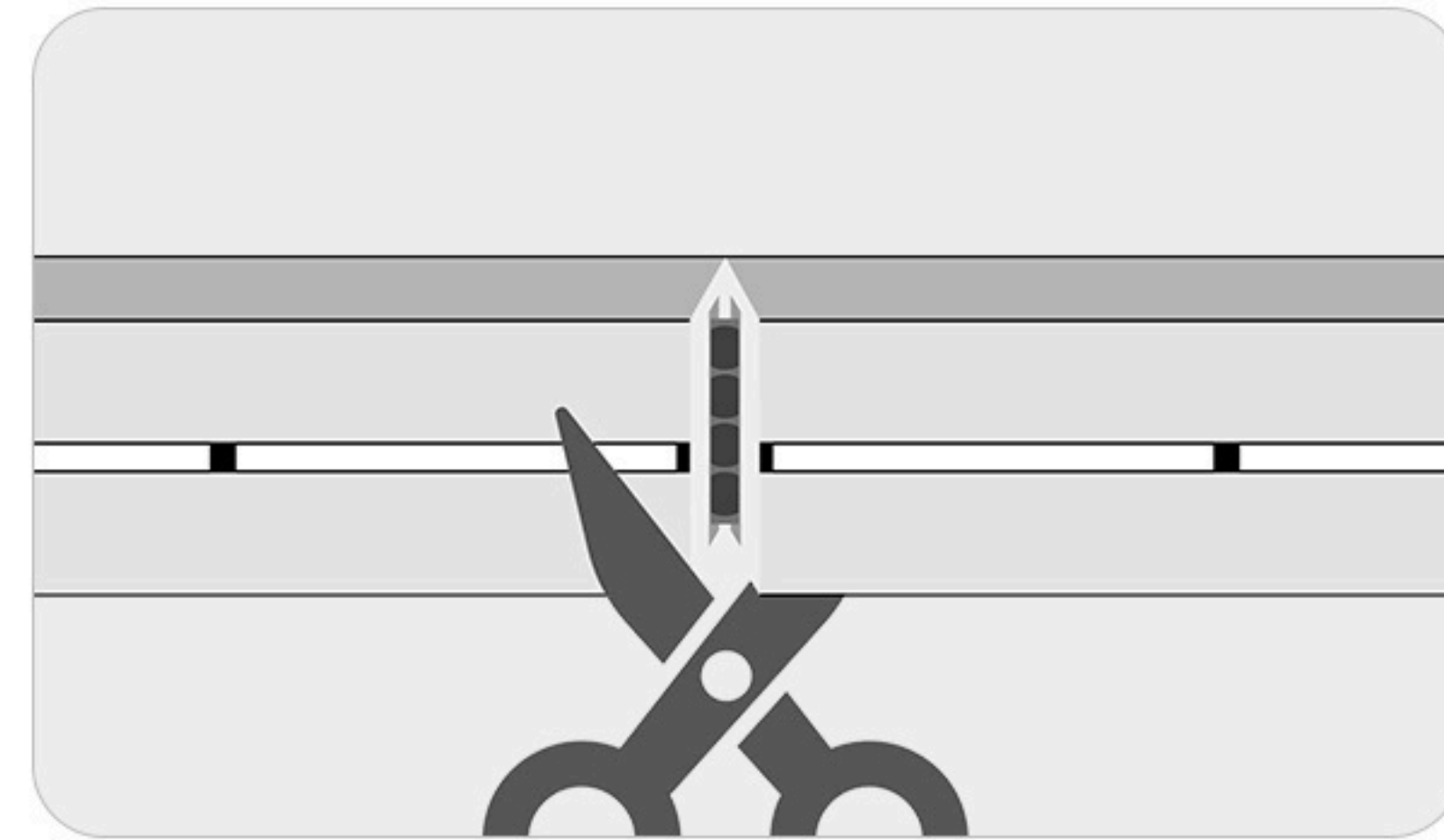
Adjust brightness, choose colors, styles, music sync modes and set time schedule by operating this app.

# CUTTING INSTRUCTIONS



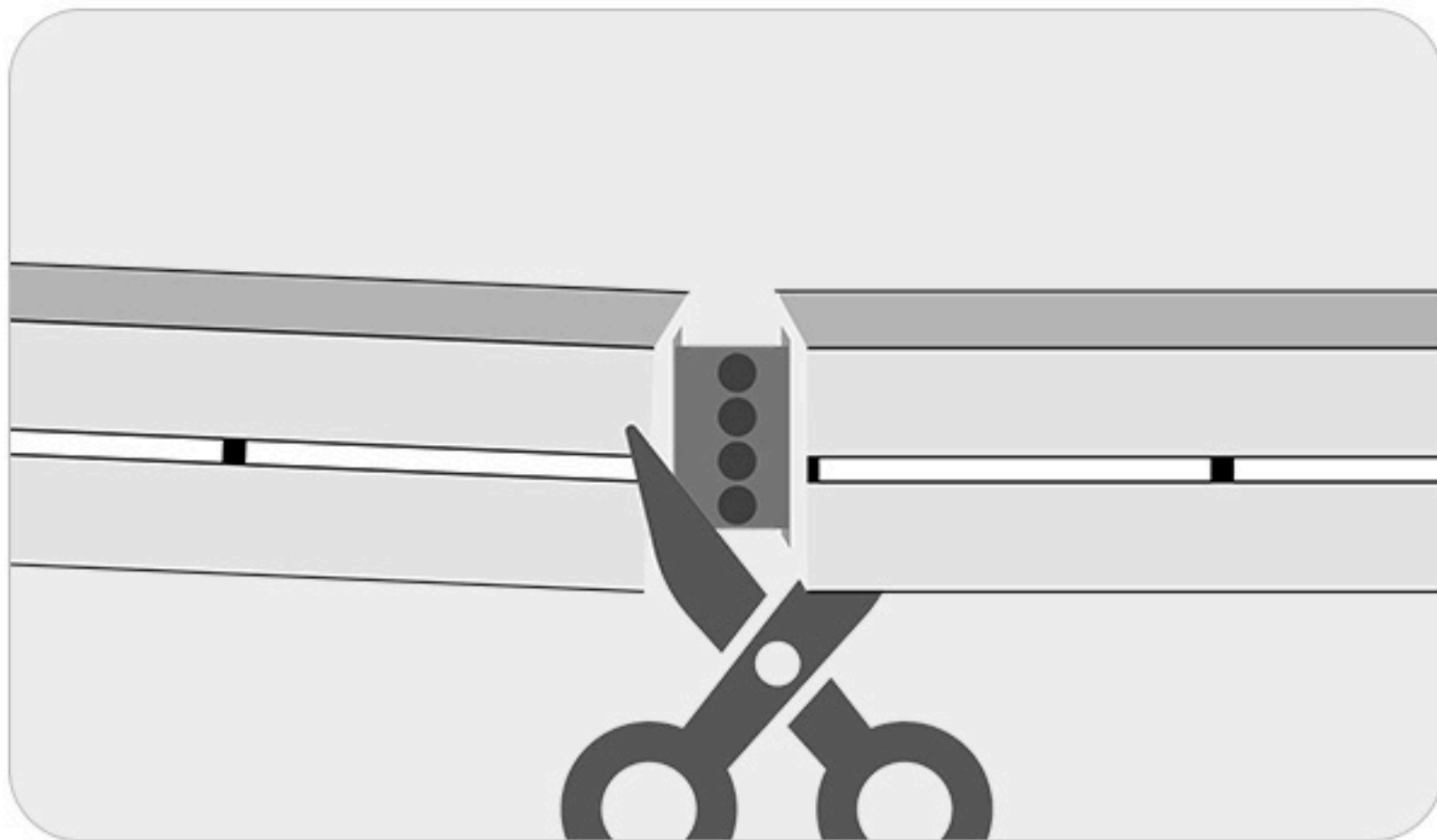
## STEP 1:

Locate the the dark points on the side of the light at every cutting interval. 12V neon lights are cuttable every 1 inch. 24V neon lights are cuttable every 2 inches.



## STEP 2:

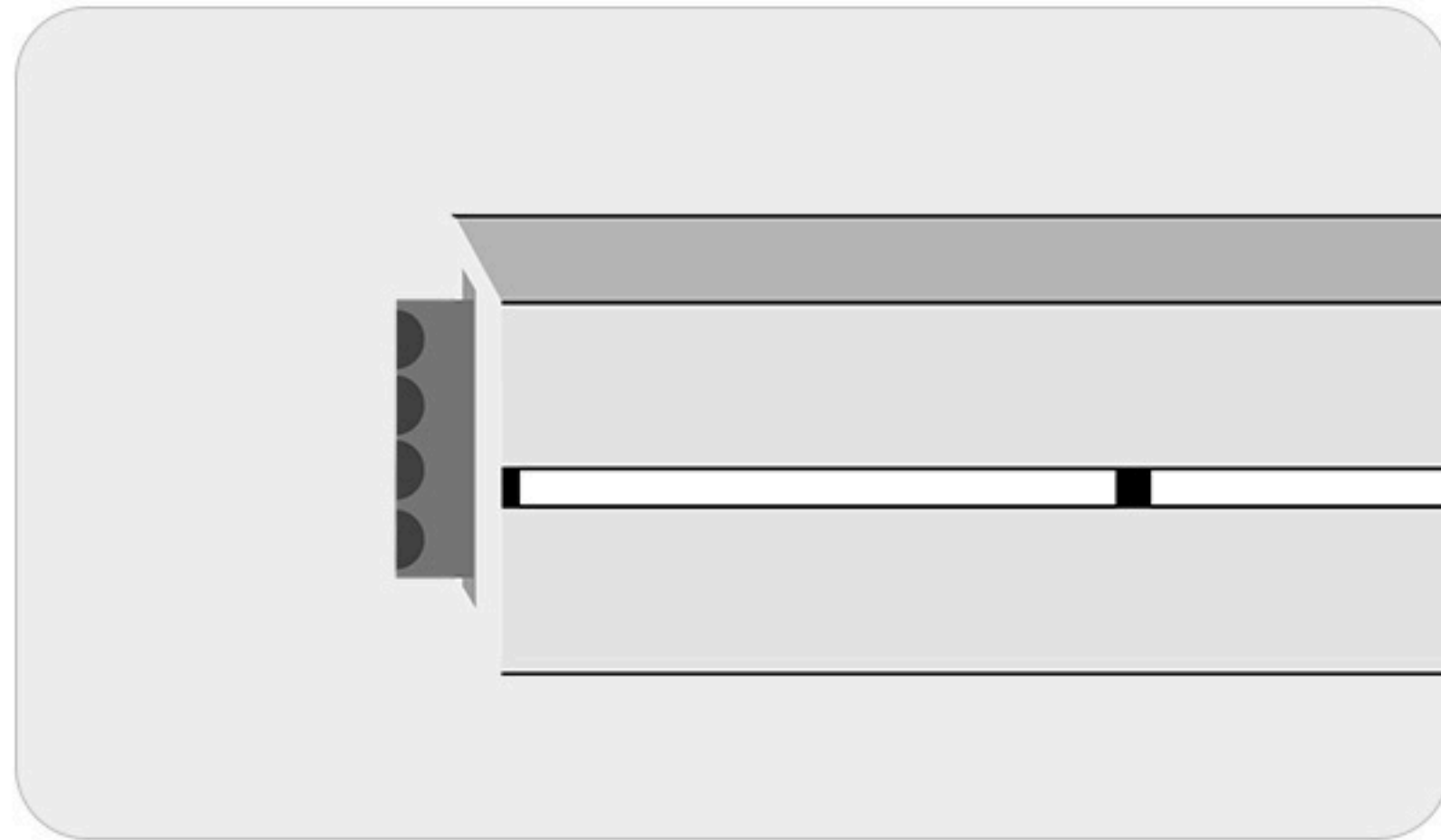
Due to the high density of this strip light the conductive copper pads are very small. In order to cut the strip with enough room to solder to it is best to first expose the cut line on the strip. Cut a wedge in silicone above cut mark.



## STEP 3:

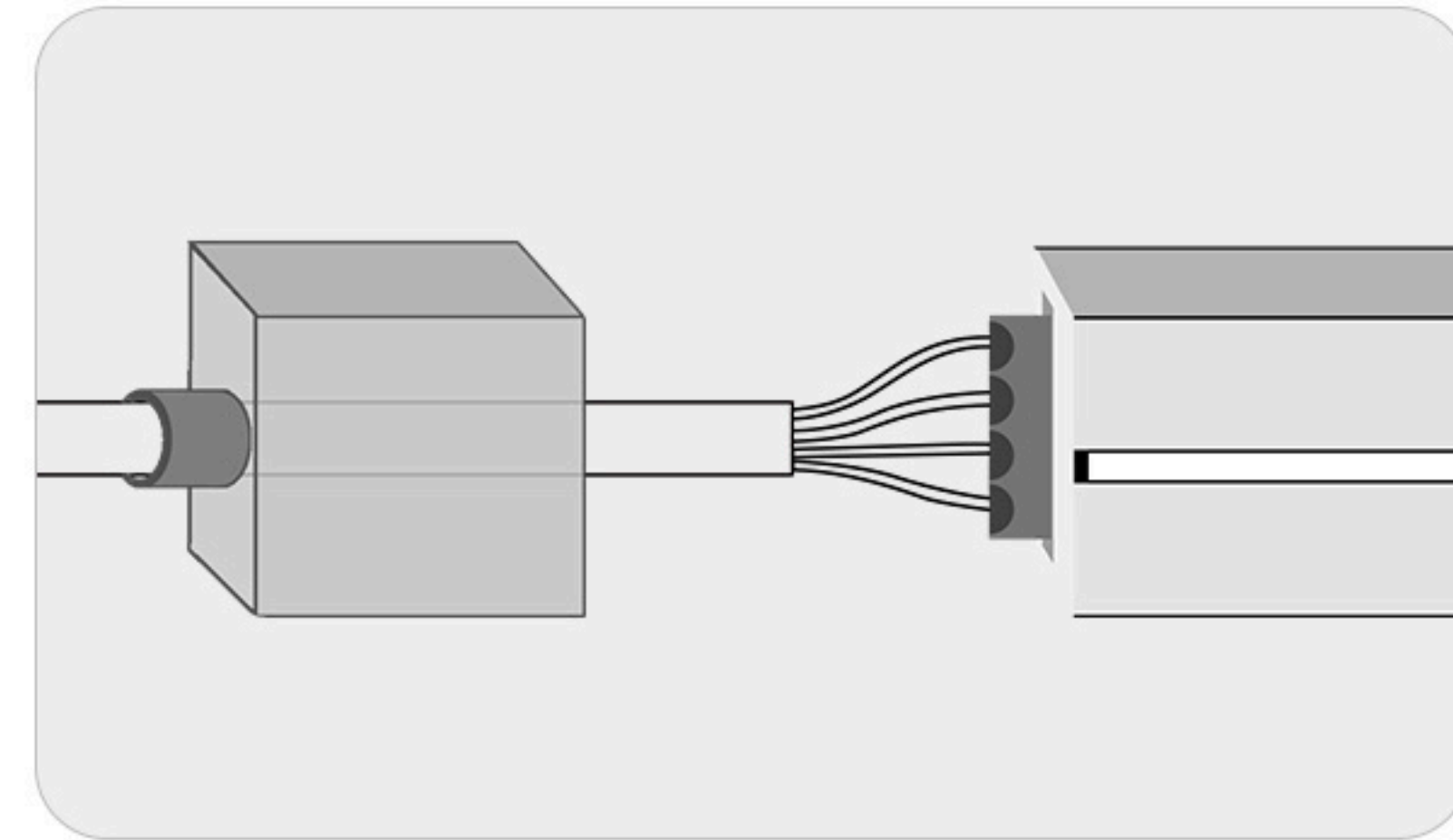
Using a sharp pair of scissors cut the strip light, directly down the cut line leaving enough room on the copper pads to solder. If the cut is off or your scissors are too dull it may make that section of LED strip unusable.

# SOLDERING INSTRUCTIONS



## STEP 1:

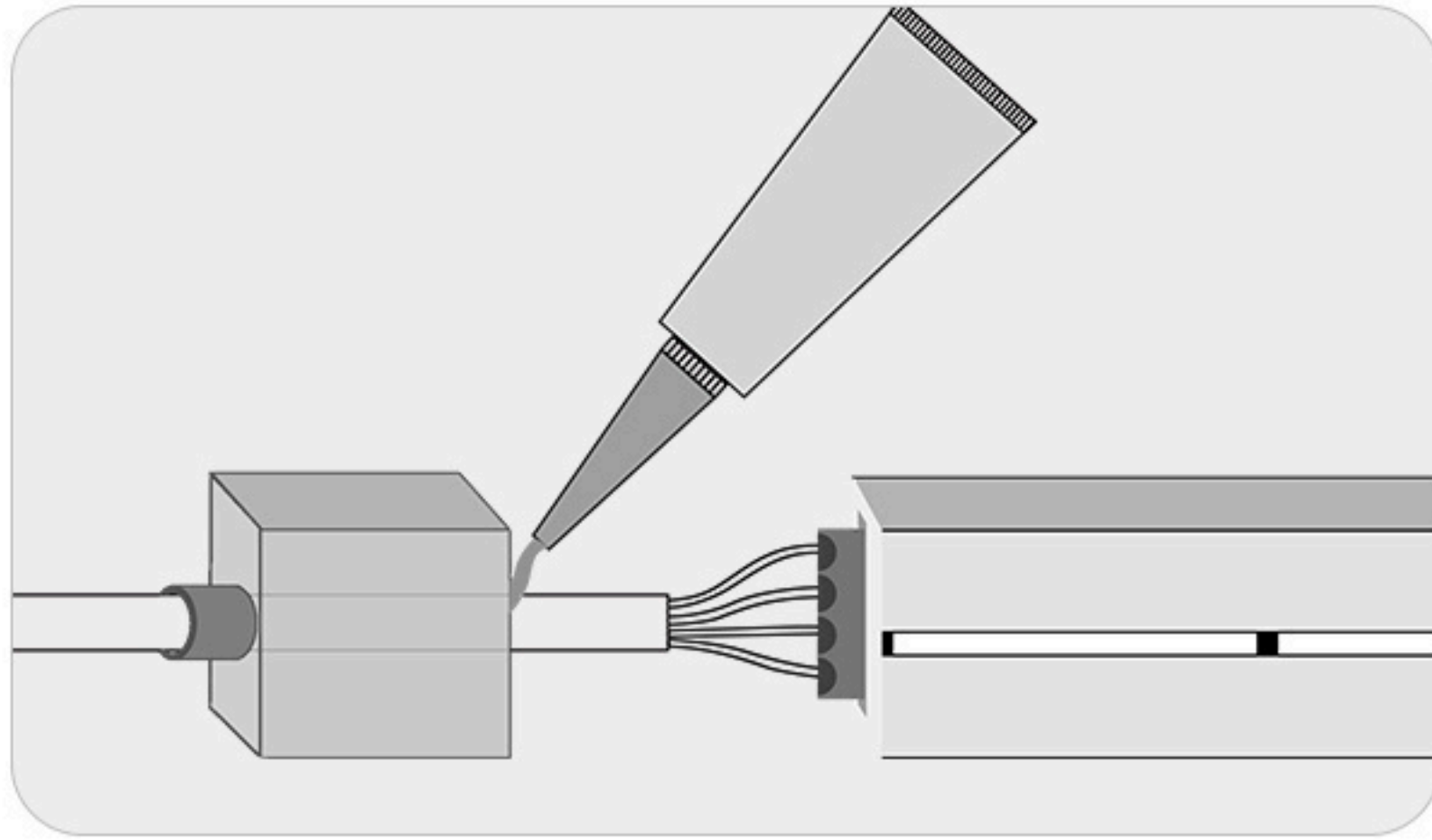
In order to solder wires to light you must first create an L-shaped cut so that the anodes are exposed.



## STEP 2:

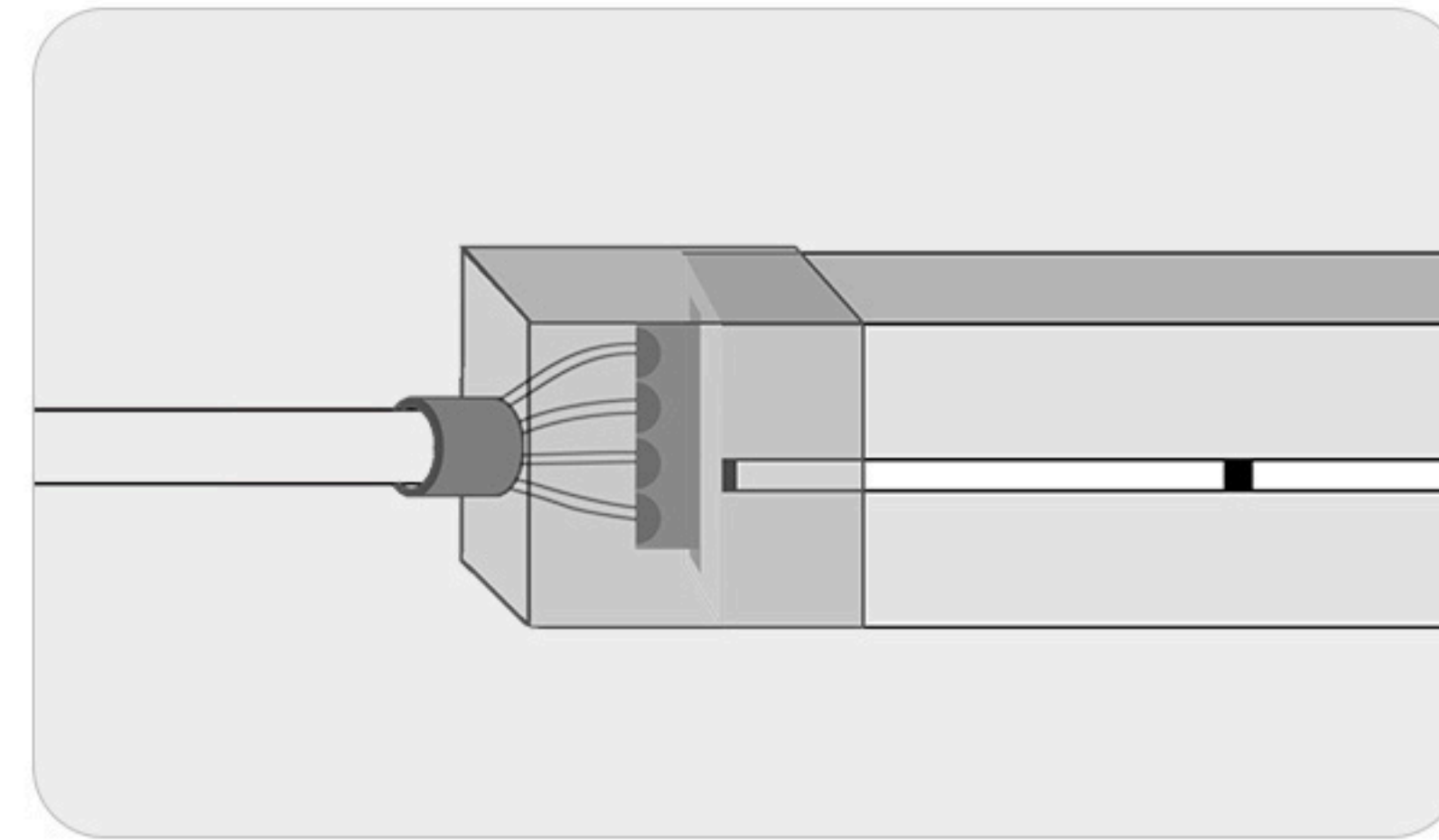
Once your strip light is ready to be soldered, tin the copper pads on the strip. Then use the extra wire lead with end cap to solder to the strip. Be sure to use the end with the small wire leads, you do not want your wires contacting each other after the end cap is applied. If you are not confident in your soldering skills be sure to test the connection before gluing the end cap. 18-22 AWG 4-core wires are recommended.

# WATERPROOFING INSTRUCTIONS



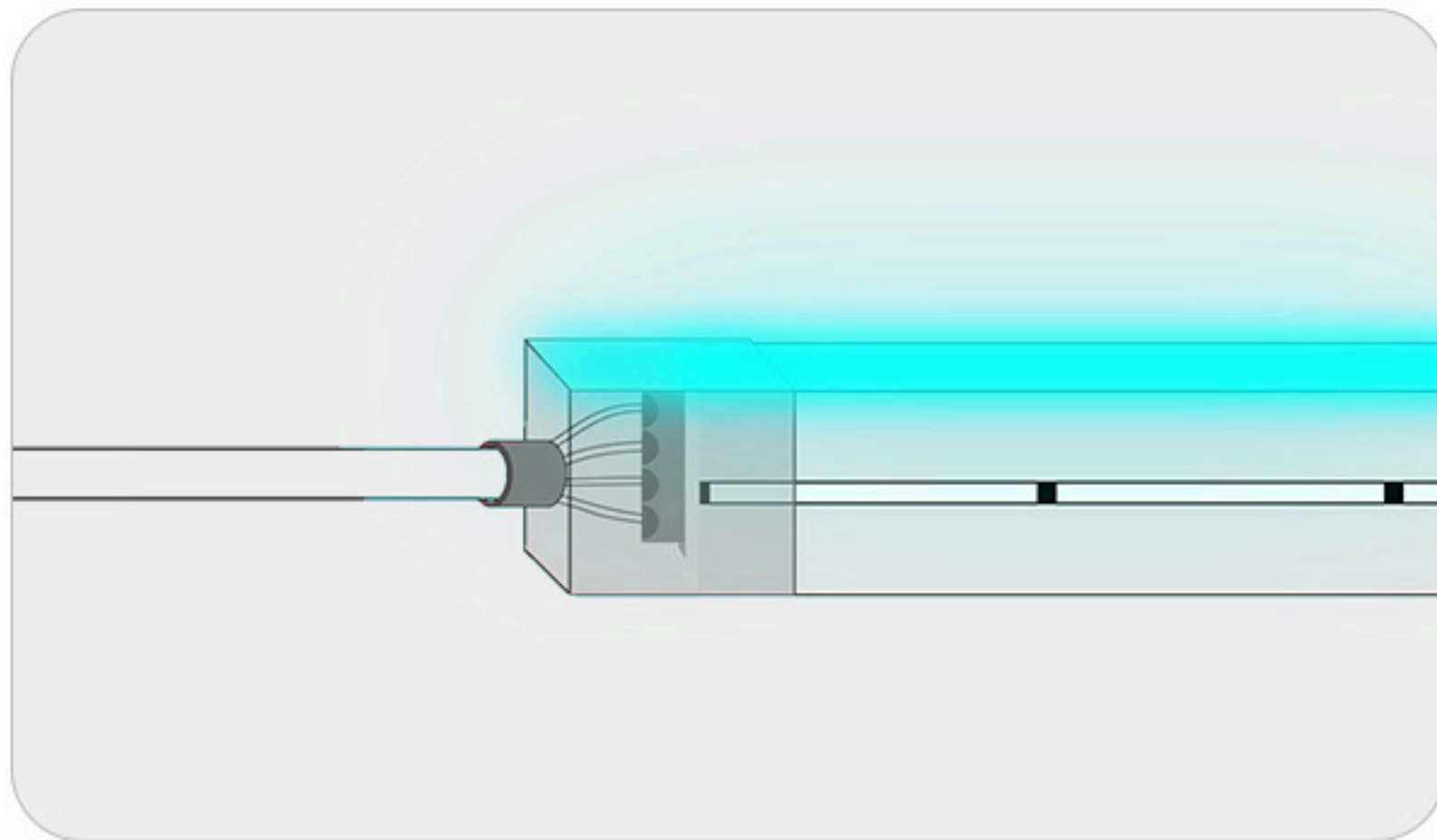
## STEP 1:

After testing your connection you can now glue on your end cap. To make a proper seal and retain the IP65 rating use an outdoor rated, clear drying silicon adhesive.



## STEP 2:

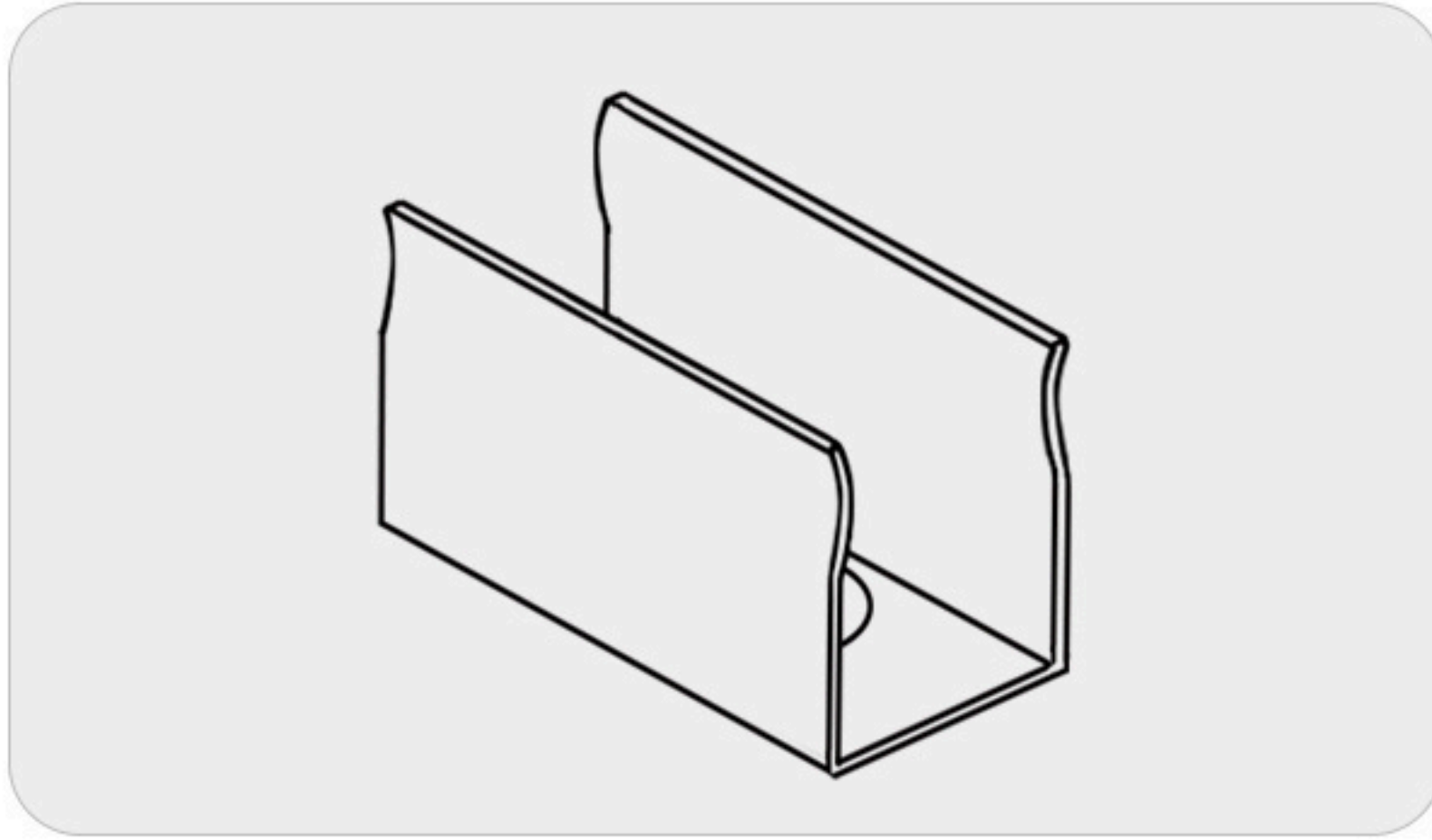
With the end cap applied and connected firmly you can now wipe any excess silicone adhesive.



## STEP 3:

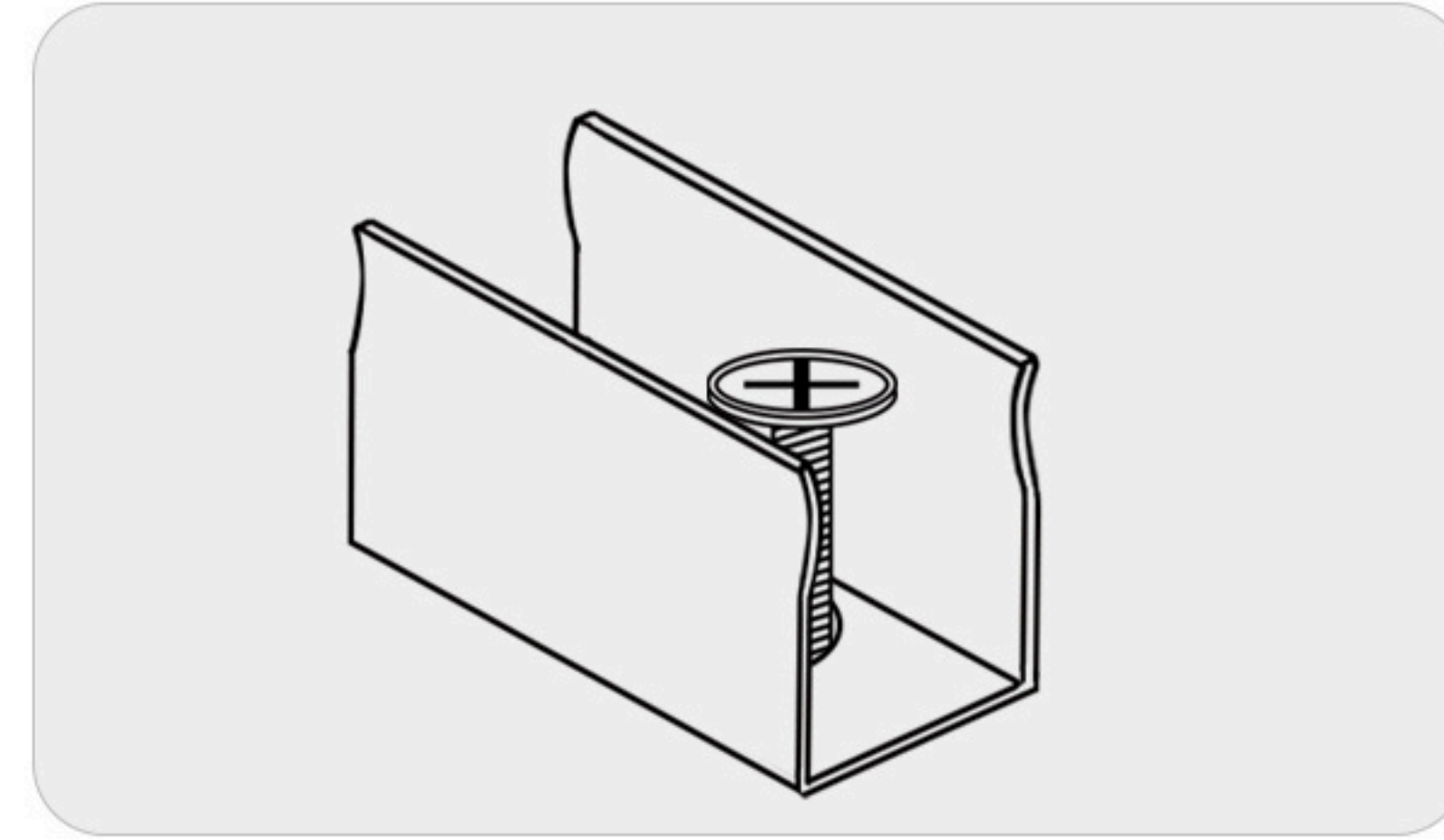
For good measure test your connection again and then let your adhesive set and dry before installation. It is best practice to hang the strip light so that gravity forces the adhesive into the cap while setting.

# MOUNTING INSTRUCTIONS



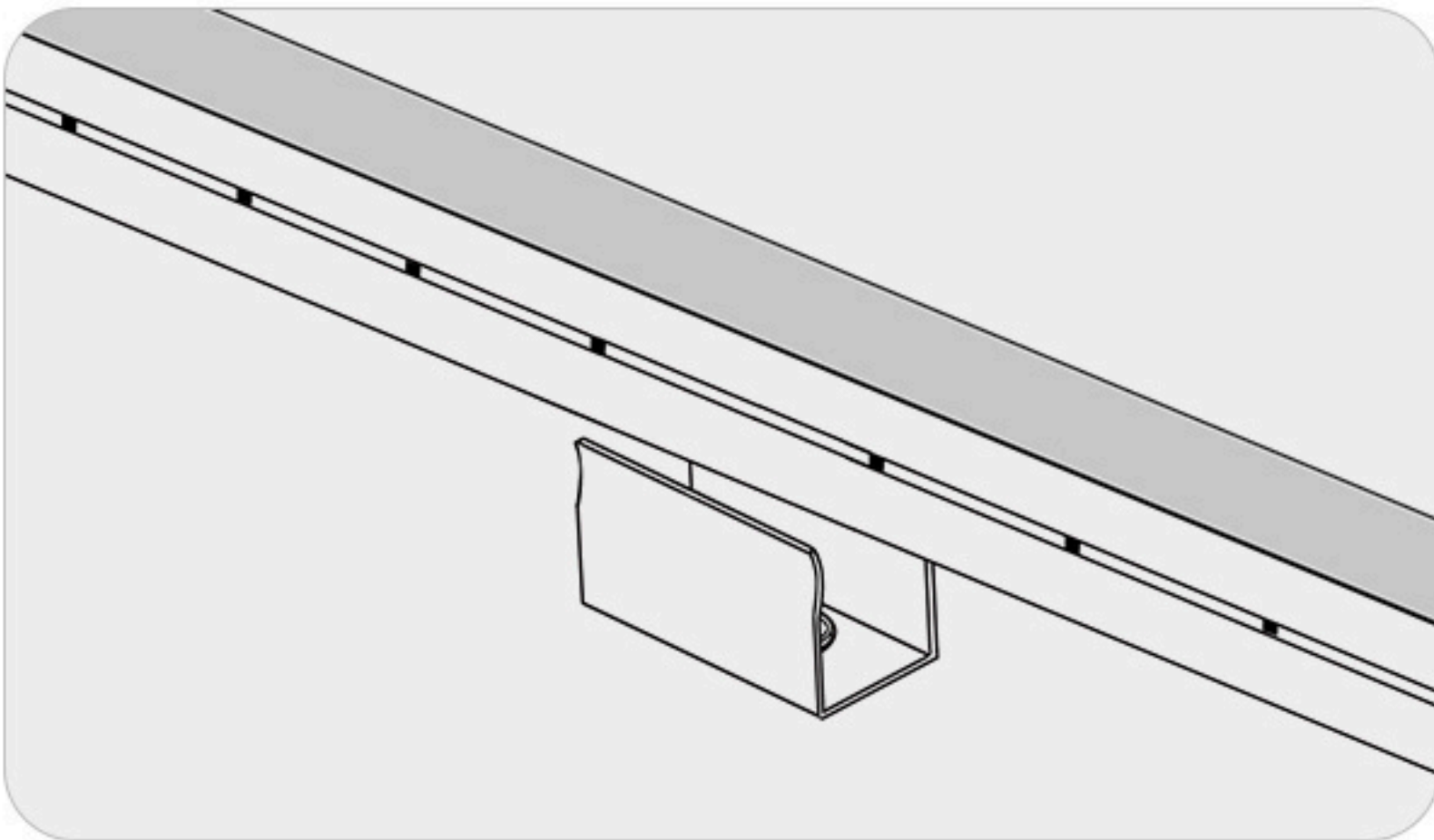
## STEP 1:

Prepare the screws and mounting clips.



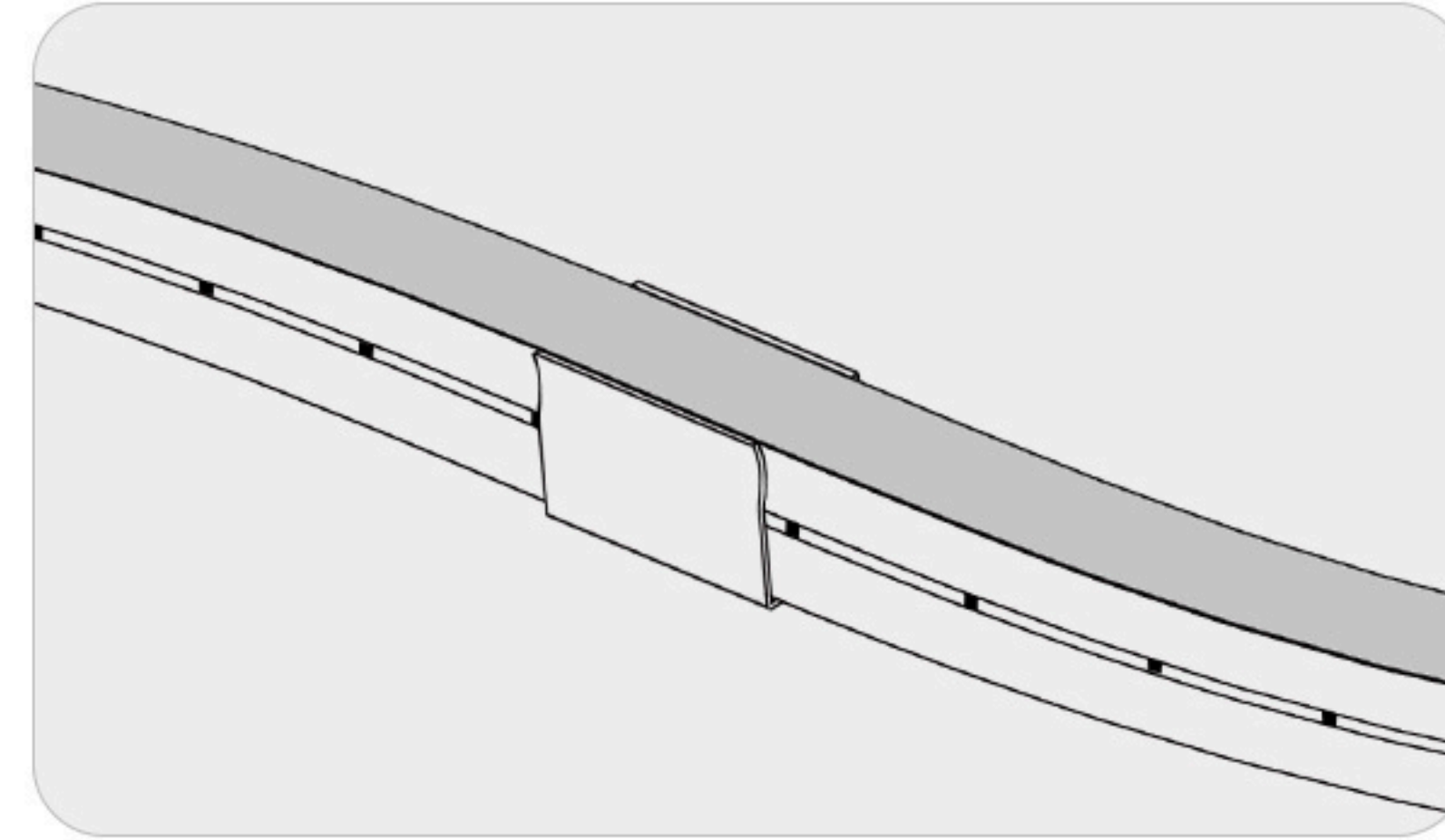
## STEP 2:

Adjust the mounting clips to the appropriate place, use a screwdriver to fix the screw.



## STEP 3:

Put the light emitting surface upwards, then insert the LED strip into the mounting clips.



## STEP 4:

Fix led strip completely into the mounting clips. LED strip surface must be parallel to the top edge of mounting clips.

# TROUBLESHOOTING

Problem	Possible Cause	Solution
<b>The entire light will not illuminate</b>	Loose Connection	Pull out every connective part of the strip lights and firmly re-connect them.
	Incorrect Pin Connection	Make sure to connect 4-pin arrow to arrow.
	Incorrect Power Source	Please use the power adapter that we equipped. The input voltage must meet the voltage requirement of the lights, and the output power of the adapter must be equal to, or higher than the power of the LED strip light.
<b>sections of light doesn't illuminate</b>	Manufacturing flaw or mechanical damage during shipping	Check if the sections do not light up when the light first arrives. Contact our support team in time for return.
	Incorrect bending during installation	Do not fold or stretch the rope lights. Do not bend the light to sharp angles or make repeated and continuous bending as this may damage circuit traces during installation.
<b>Remote doesn't work</b>	Insulation Sheet	Pull out the transparent insulation sheet.
	Missing/ Dead Battery	Install a new CR2025 battery inside the remote.
	Outside Sensing Range	Align the remote to the receiver of the controller for better signal.
<b>App doesn't work</b>	Failed Bluetooth Connection	Make sure Bluetooth in your mobile phone has been turned on, and do not skip Bluetooth connection in the app.
	Incompatible Phone System	It may be caused by incompatibility between the phone system and the app. Please change a mobile phone and connect again.
	Outside Connection Range	Keep the distance between the strip and the phone less than 1m/3.28ft while connection. Keep obstructions between the strip and the phone as few as possible.



**LUMENS DEPOT**  
PRO LIGHTING SOLUTION

TEL: +18007658555

E-MAIL: [helpdesk@lumensdepot.com](mailto:helpdesk@lumensdepot.com)

[HTTP://WWW.LUMENSDEPOT.COM](http://WWW.LUMENSDEPOT.COM)

ADDRESS: 18 Lawrence Pkwy, Tenafly, New Jersey, 07670, USA