



120V ECO NEON

ROPE LIGHTS INSTRUCTIONS



CONTENTS

Disclaimer

01

Warranty

01

Warning

02

Performance

02

Color
Options

03

Accessories

04

Cutting
Instructions

05

Powering
Instructions

06

Waterproofing
Instructions

07

Troubleshooting

08



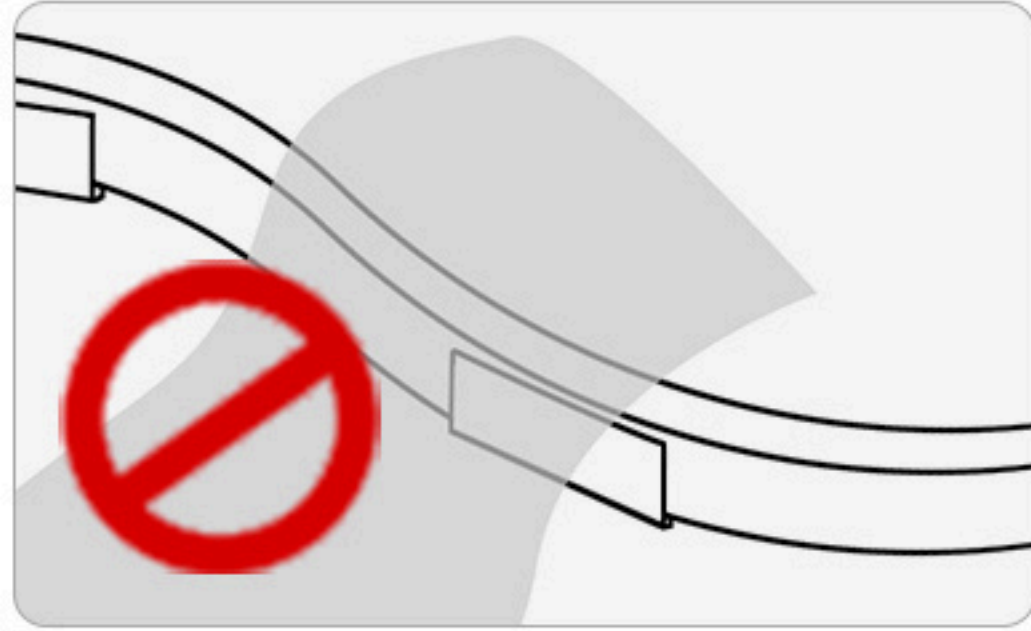
DISCLAIMER

Dear customer, these instructions are suggested installation procedures only, they do not constitute professional installation and may not necessarily meet all electrical requirements in your state. Please be reminded that our products covered by our ETL report are not intended to be field cutting or splicing. Shine Decor assume no liabilities occur from improper installation including incorrect cutting, splicing and damaged waterproof insulation etc.

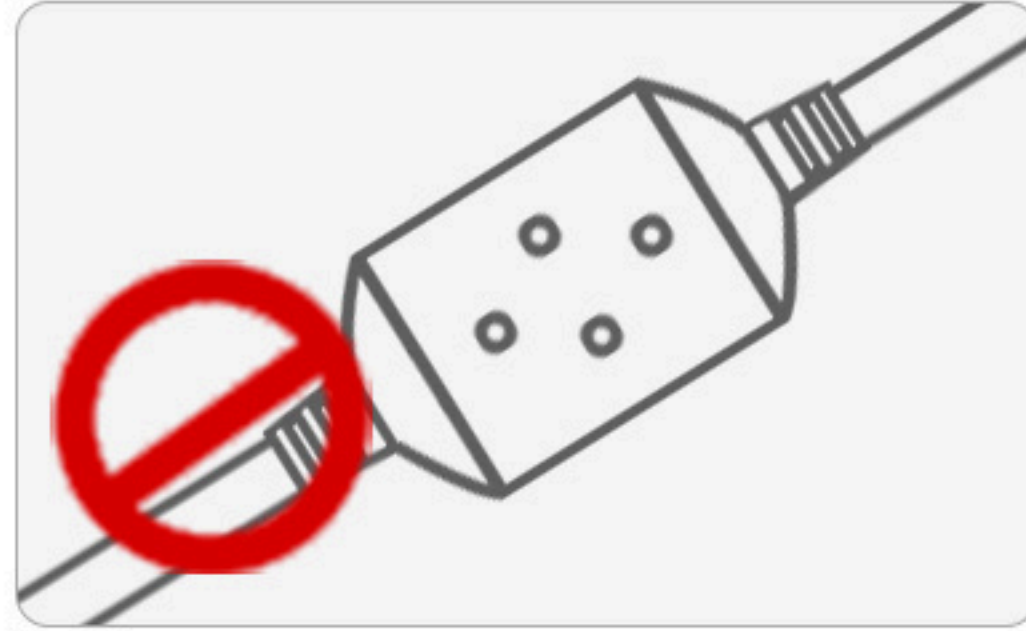
WARRANTY

All of our products are warranted against defects in materials and workmanship for a period of one year from the date of original purchase. We provide 1 month hassle-free full refund, 6 months money back or free replacement and 12 months limited warranty.

WARNING



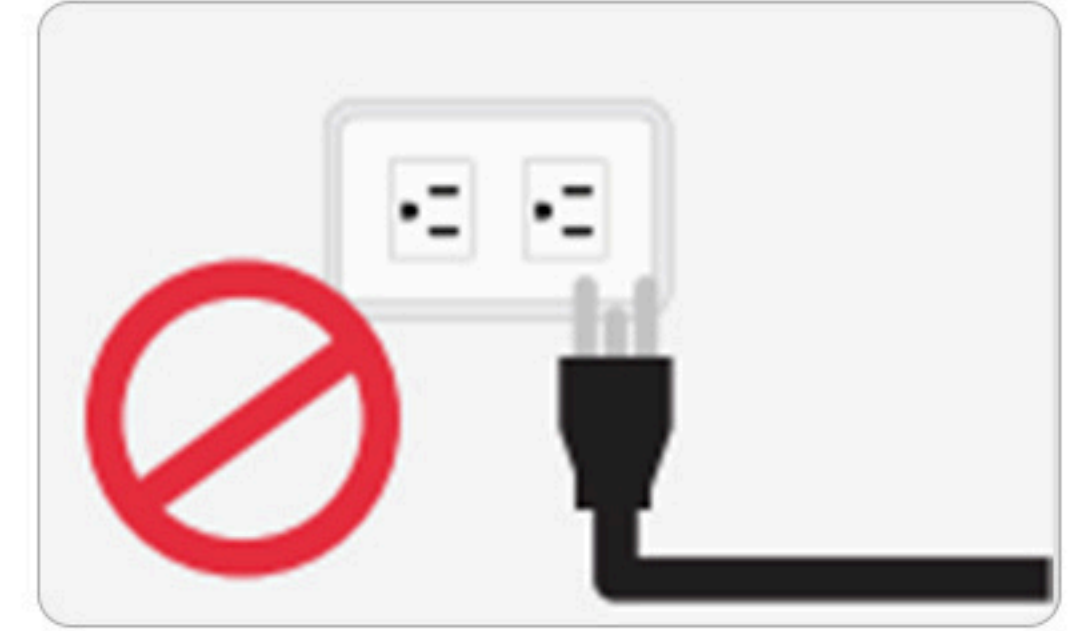
1. Do not cover this product as the covering may cause the light to overheat and melt or ignite.



2. Always keep the rectifier/controller on power wire, don't remove it. We do not recommend customers to cut, shorten, or splice the light before consulting a qualified electrician.



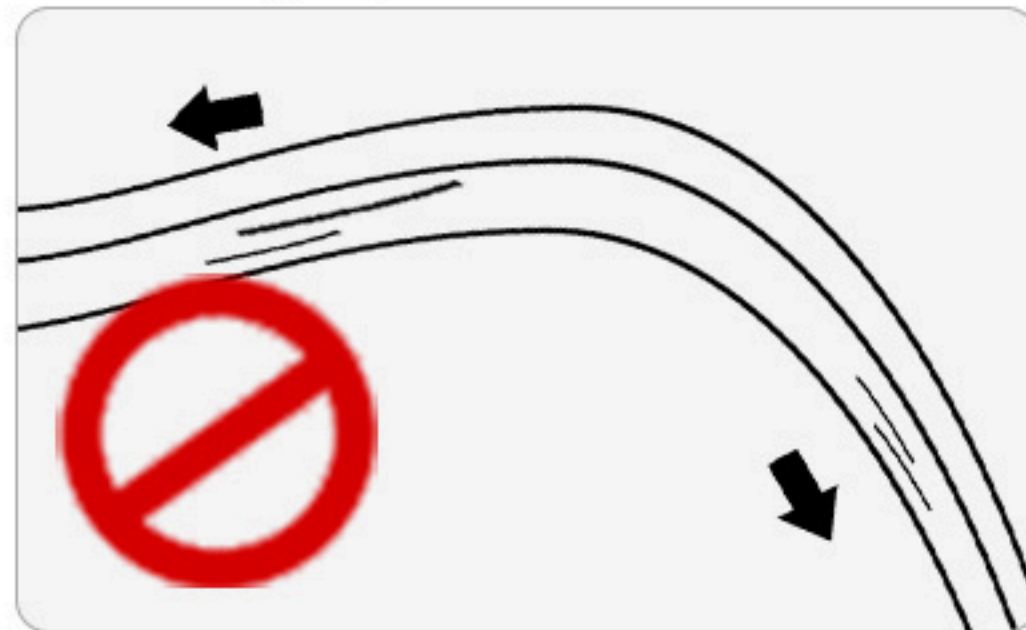
3. Unroll the light before lighting it up. Or else it might melt the rope light and even cause a fire.



4. Unplug the light before installing or replacing fuses.



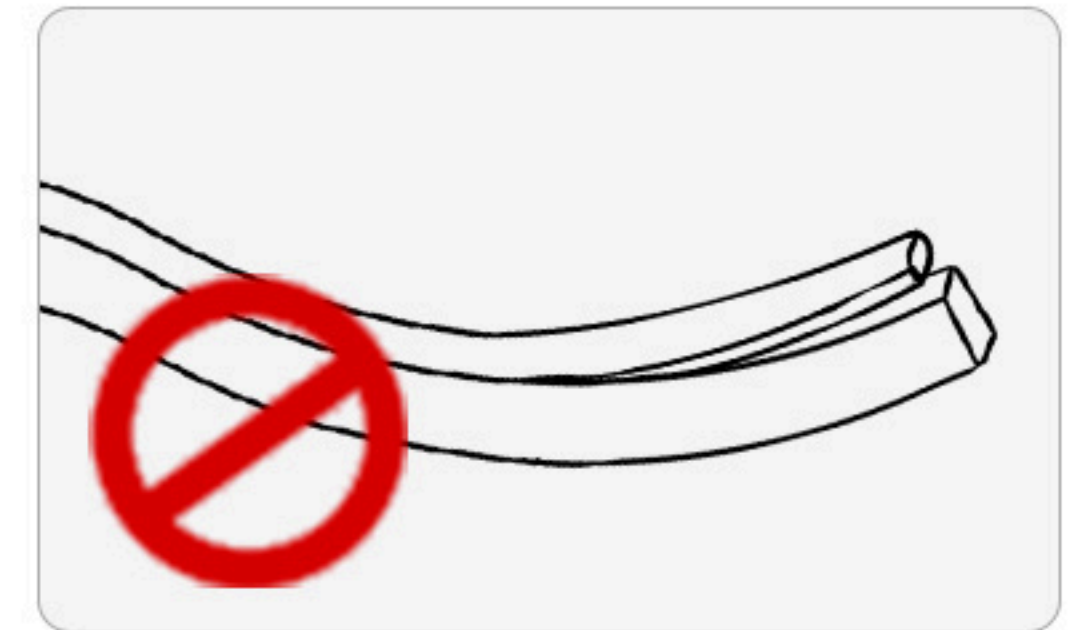
5. Do not submerge the light in liquids. Connections are non-waterproof yet. Keep all connections away from water and moisture to prevent circuit damage which can lead to fires.



6. Do not pull on or stretch rope light as this will damage the inner wires, causing sections to fail.



7. Do not connect together more than 164ft per power supply to avoid overloading electrical circuits.



8. Do not mount or support the light in a manner that can damage the outer jacket or cord insulation. Inspect periodically.

PERFORMANCE

Voltage	120V	LED Type	2835 SMD
Power Consumption	1.92 W/FT	Cutting Interval	0.5M
Brightness	WW: 58 LM/FT CW: 50 LM/FT	IP Rating	IP65 (Connections are non-waterproof)
LED Density	120 LEDs/M	Application	Decorative Ambient Lighting

COLOR OPTIONS



**ANTIQUE
WARM WHITE** 2200K



**WARM
WHITE** 2800K



**NATURAL
WHITE** 4000K



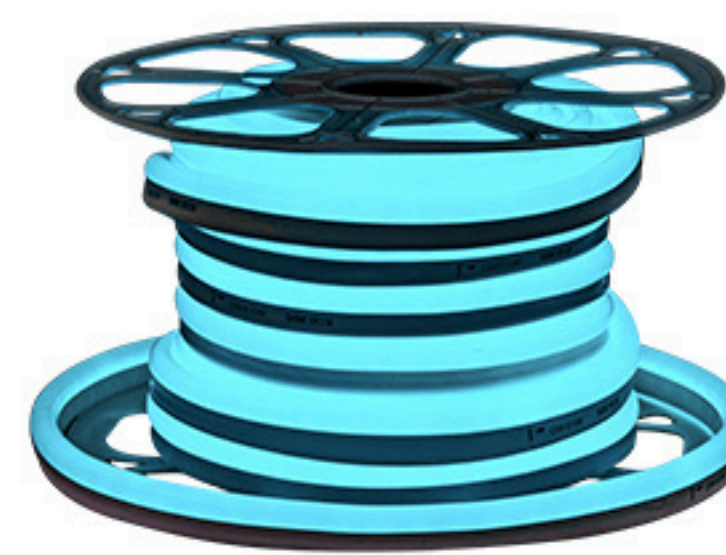
**COOL
WHITE** 6000K



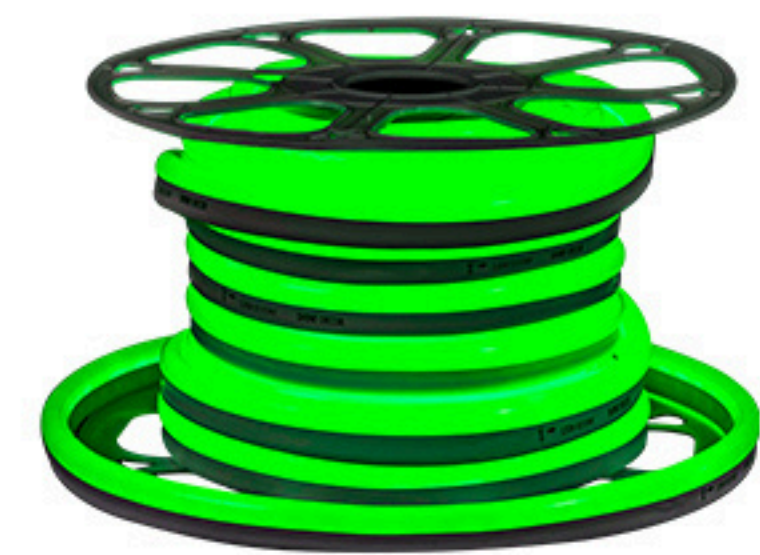
RED



BLUE



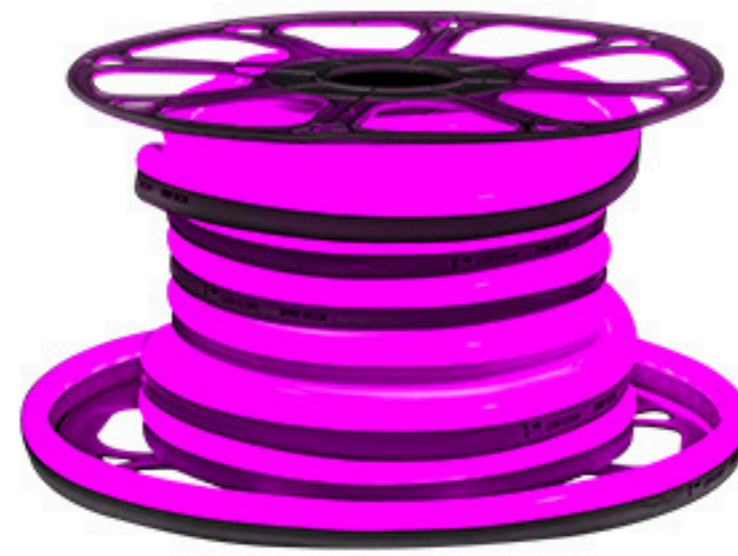
ICE BLUE



GREEN



PINK



PURPLE



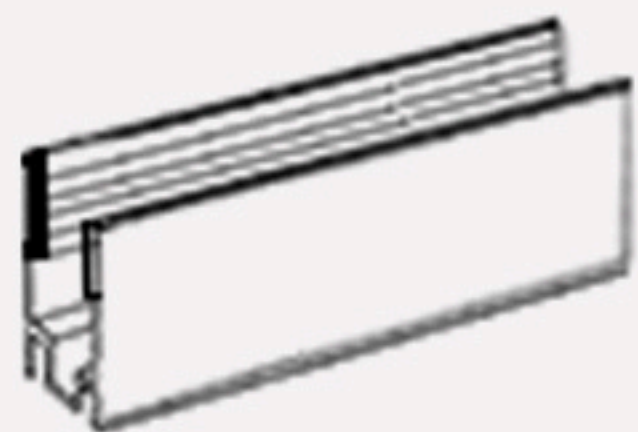
AMBER



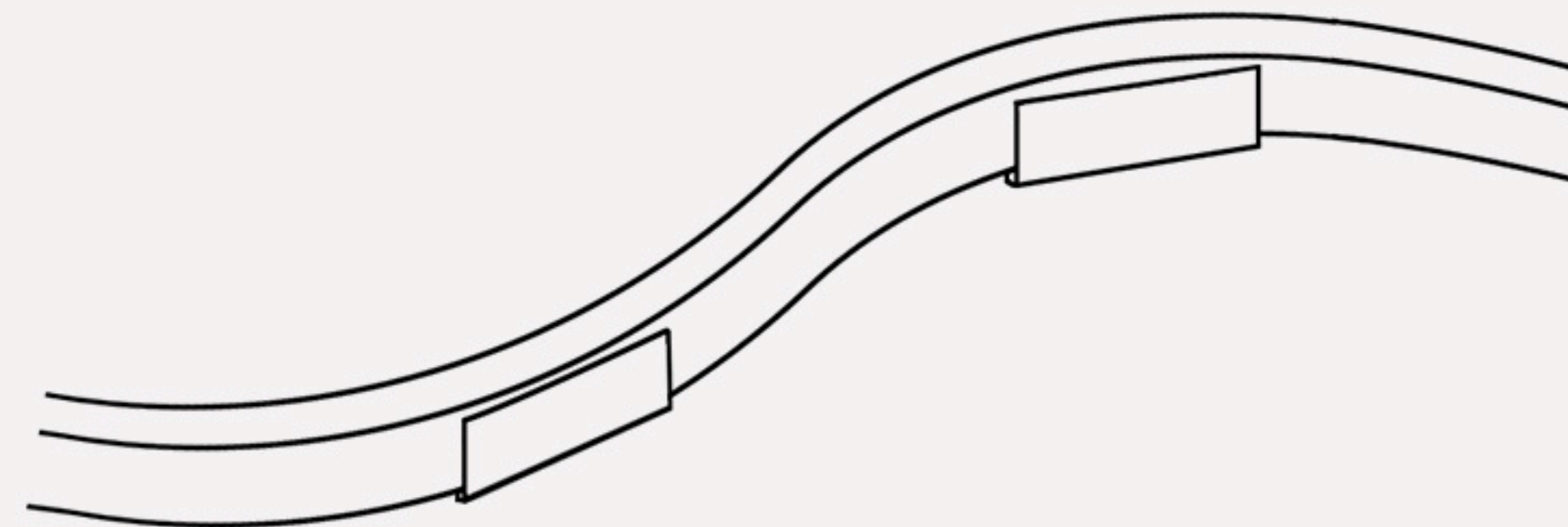
YELLOW

ACCESSORIES

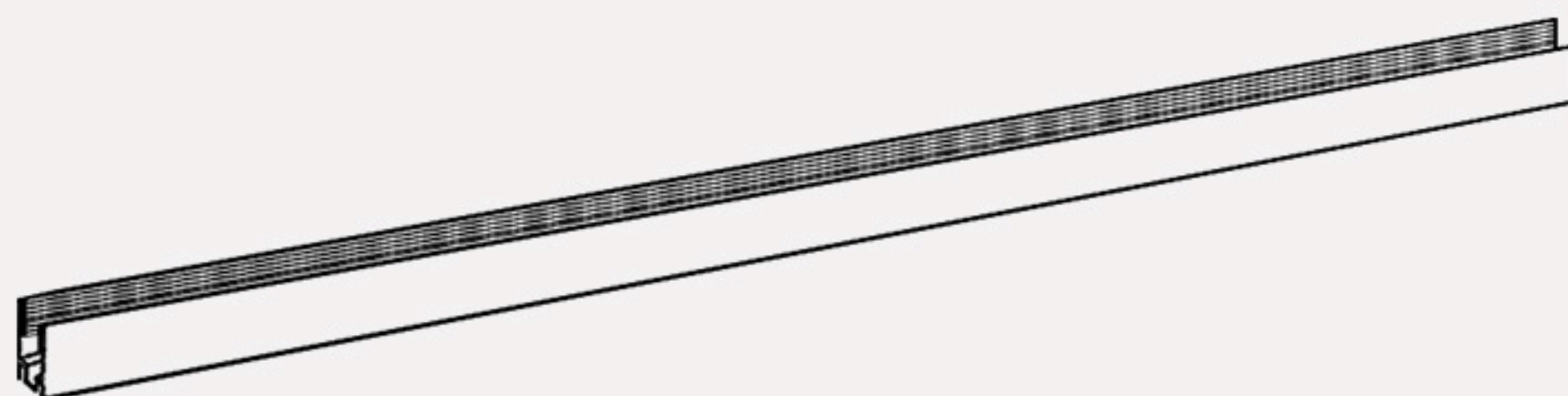
FOR CURVE MOUNTING



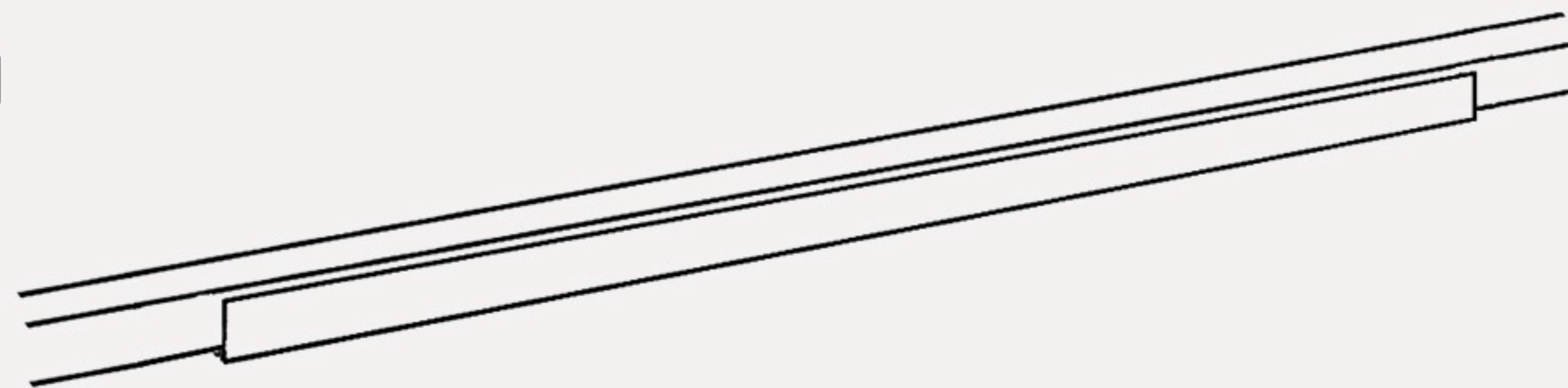
Plastic/ Aluminum Mounting Clips



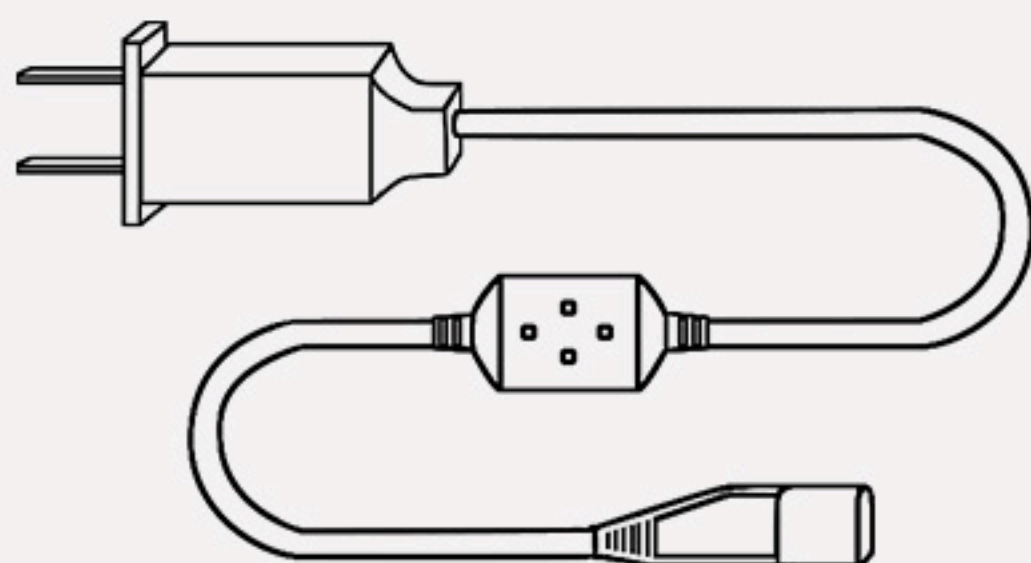
FOR STRAIGHT MOUNTING



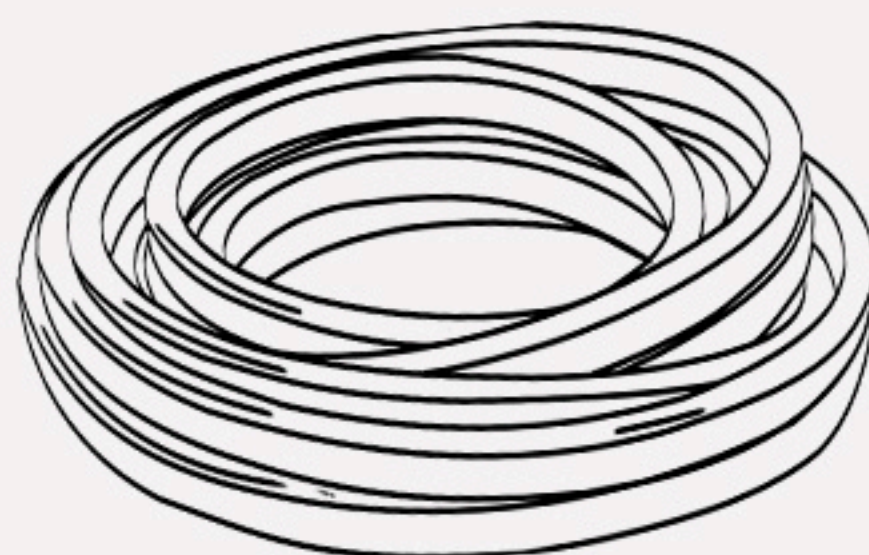
Aluminum Channel



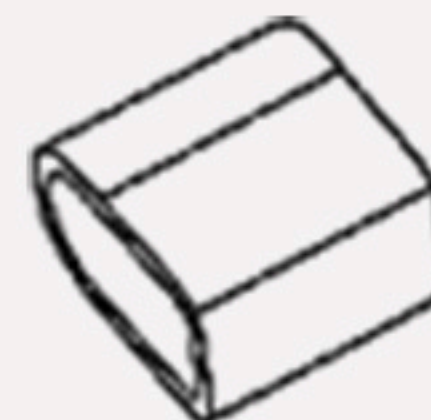
FOR POWERING MORE SECTIONS



Fused Power Cord



Light



End Cap



Heat Shrink Tube

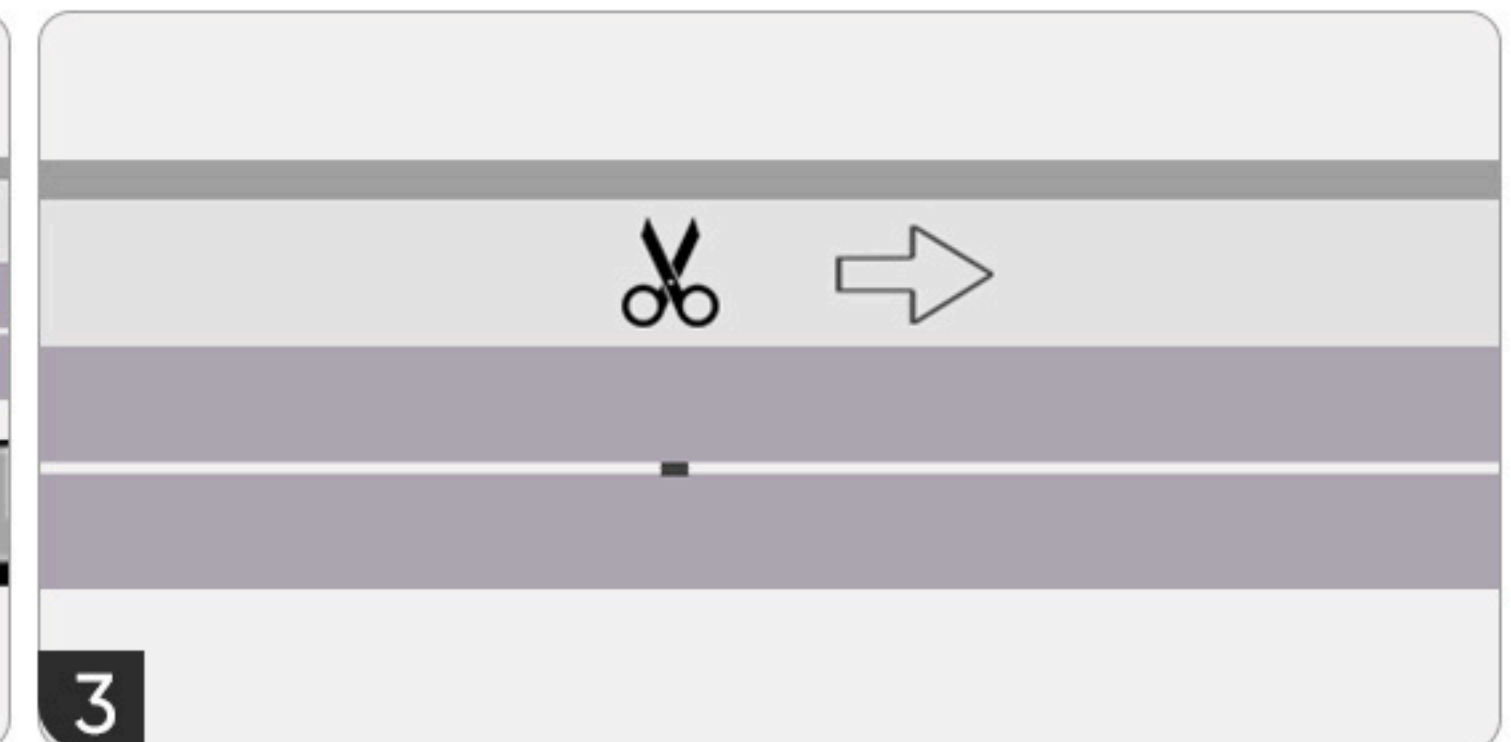
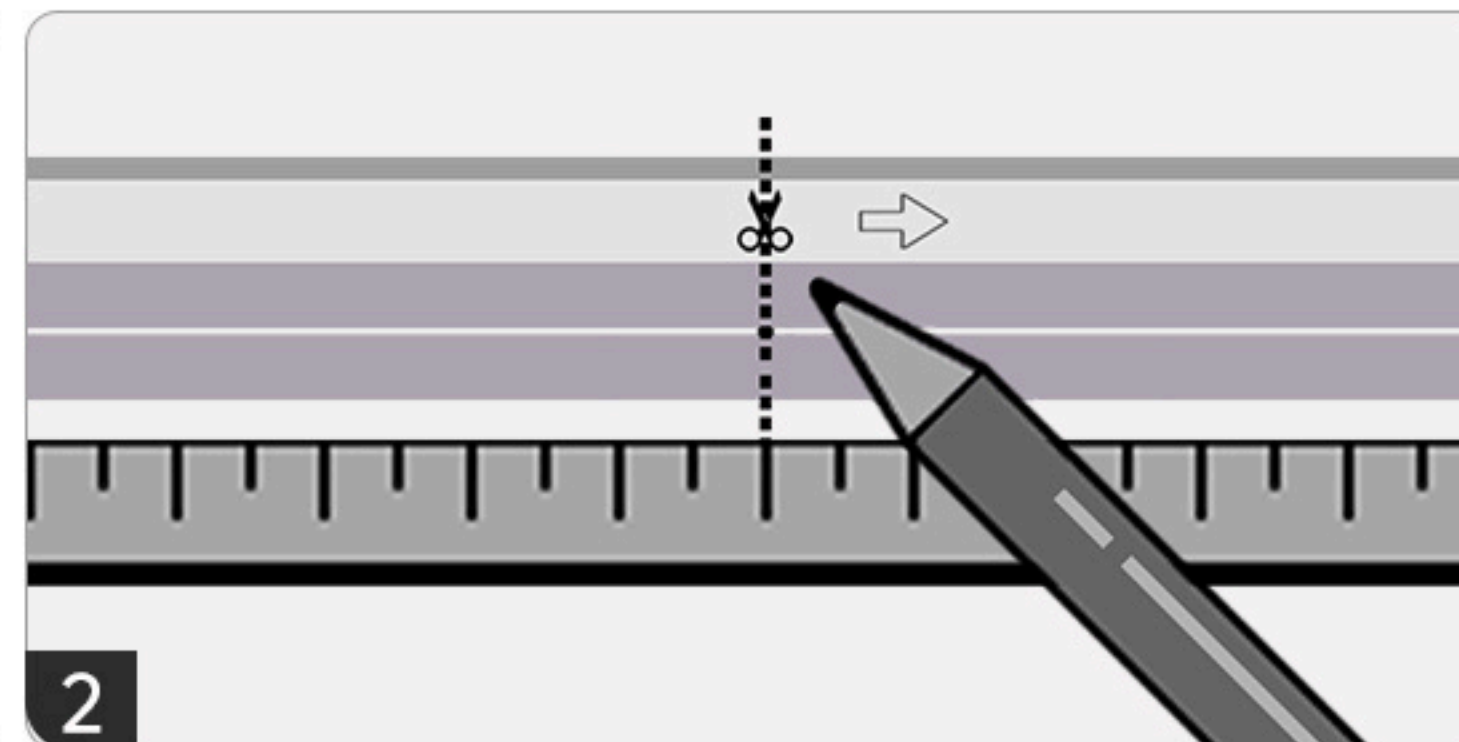
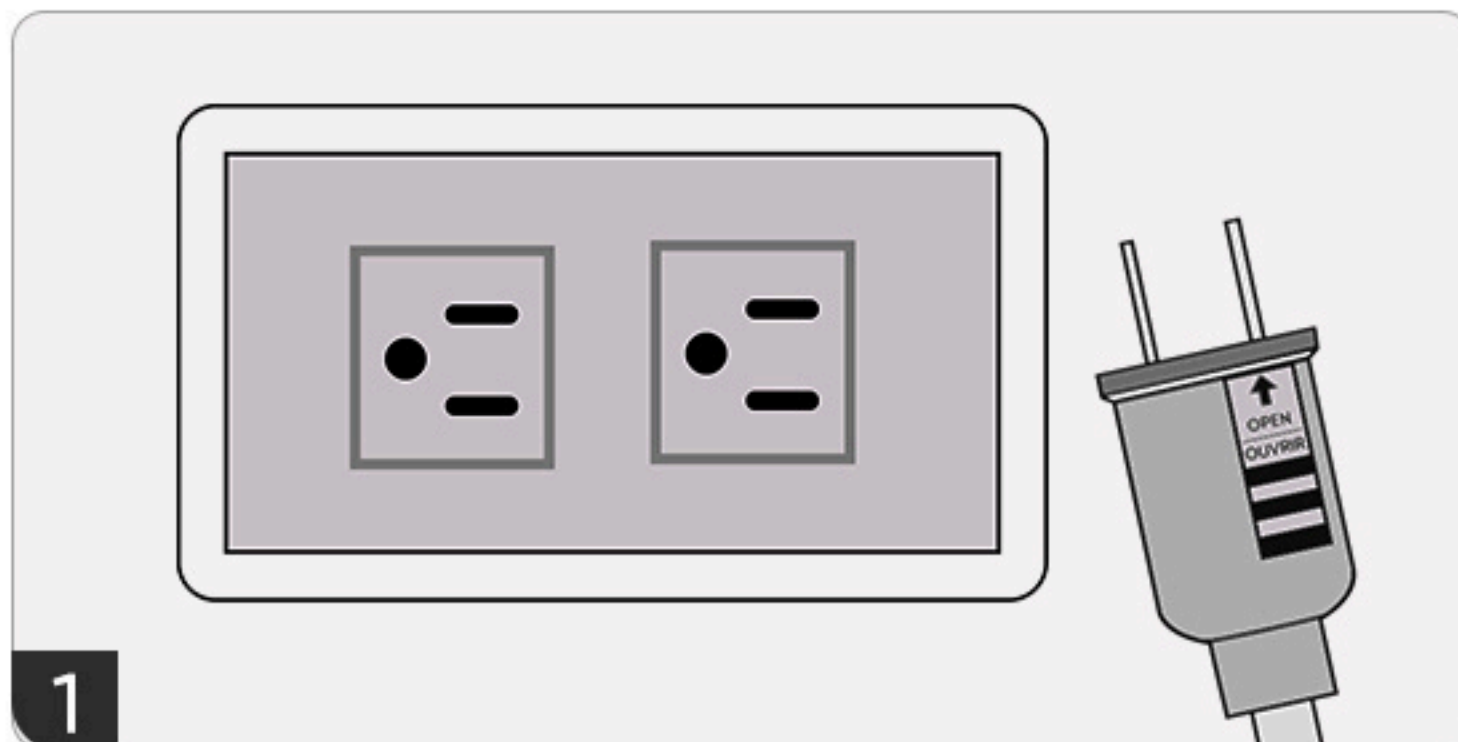
CUTTING INSTRUCTIONS

Although all of our strip light can be cut every cuttable interval, we do not recommend cutting for the following reasons:

1. Cutting the rope light voids any certification the product have had in it's pre-modified state.
2. Cutting or damaging outer plastic tubing can cause an electrical/ fire hazard.
3. Cutting anywhere besides the cut marks will damage that section of rope light and cause it to fail.

However, we still provide step-by-step guidance on how to safely cut rope light without damaging it and making it work for your specific needs. Please follow these steps as strictly as possible.

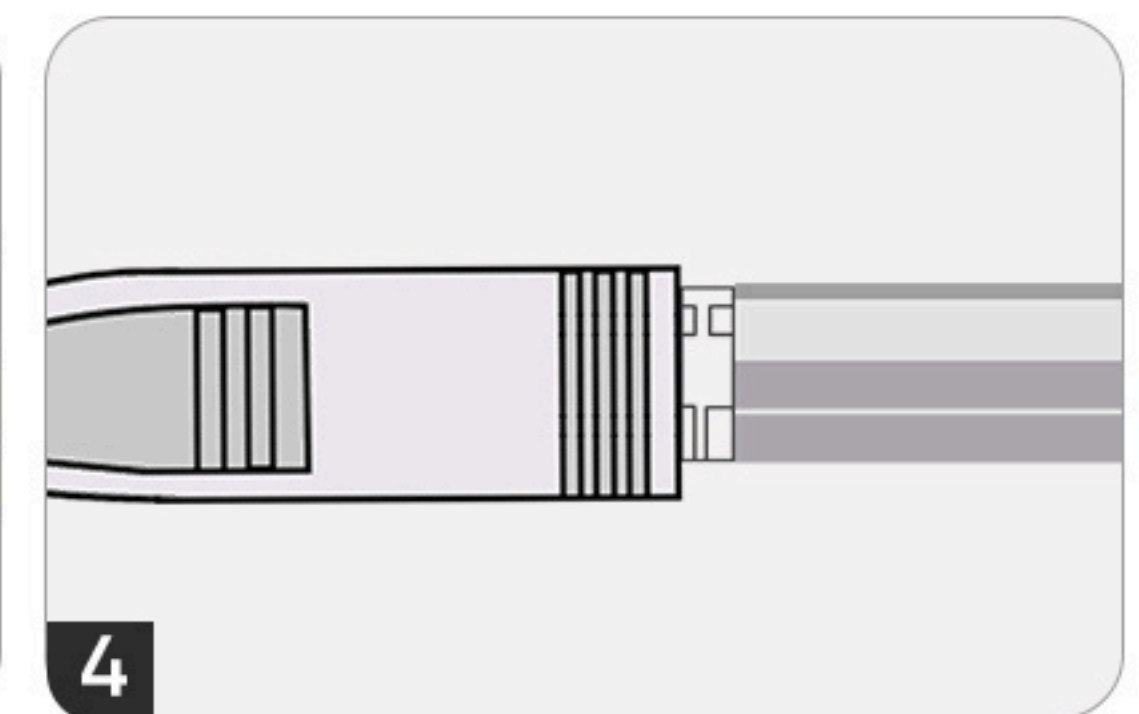
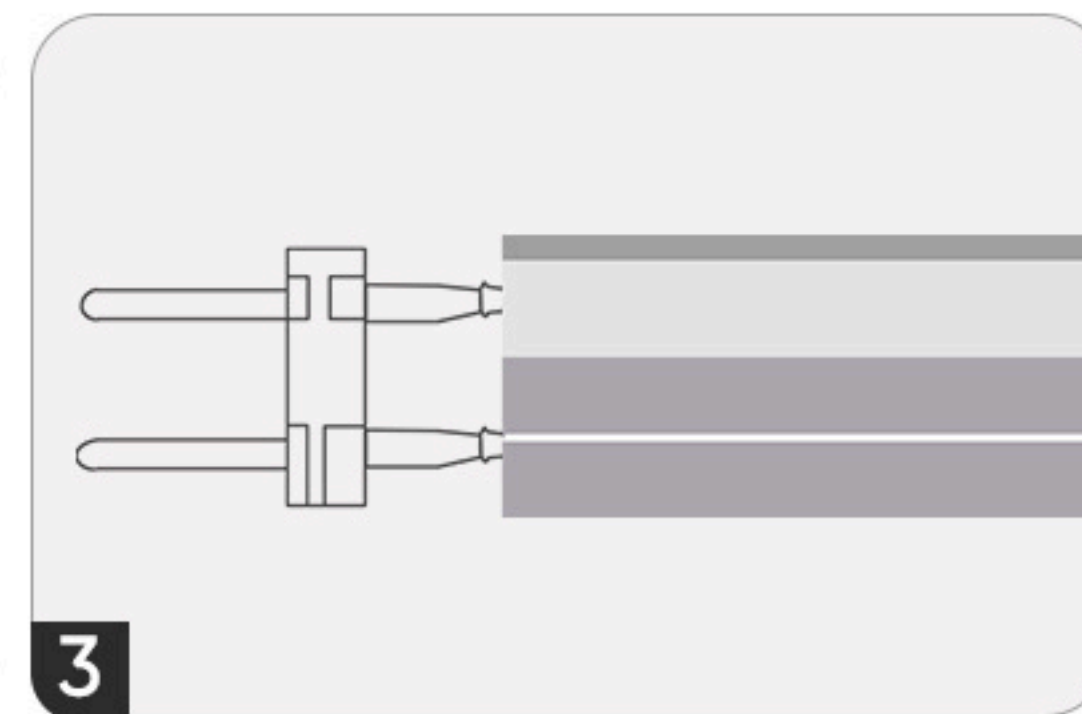
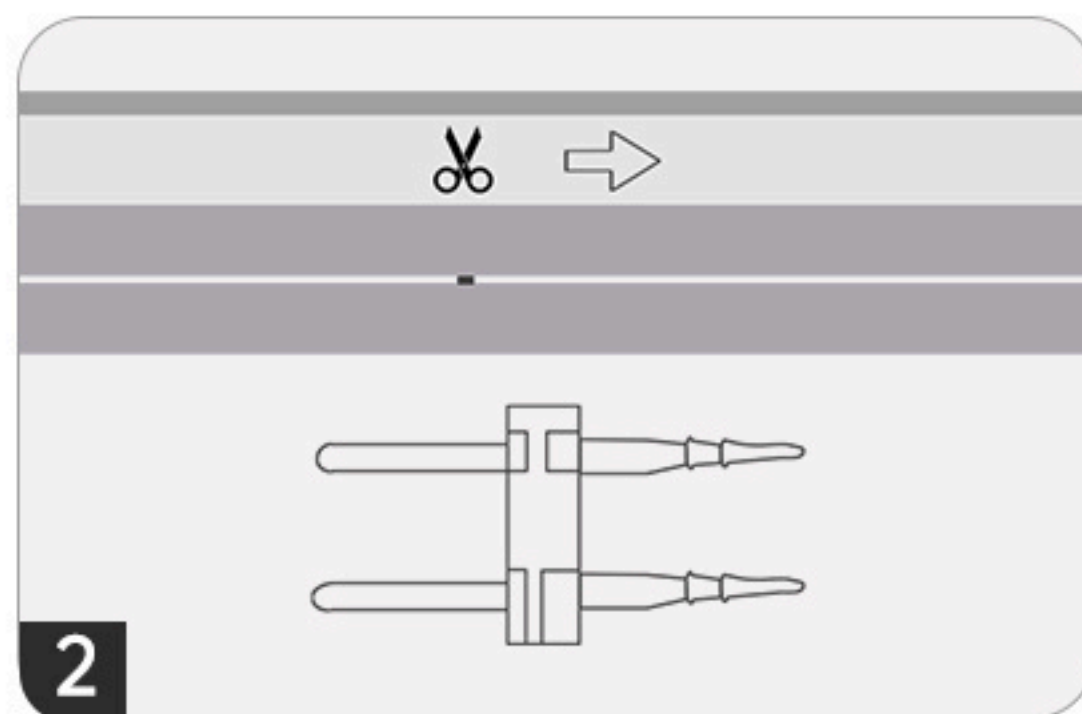
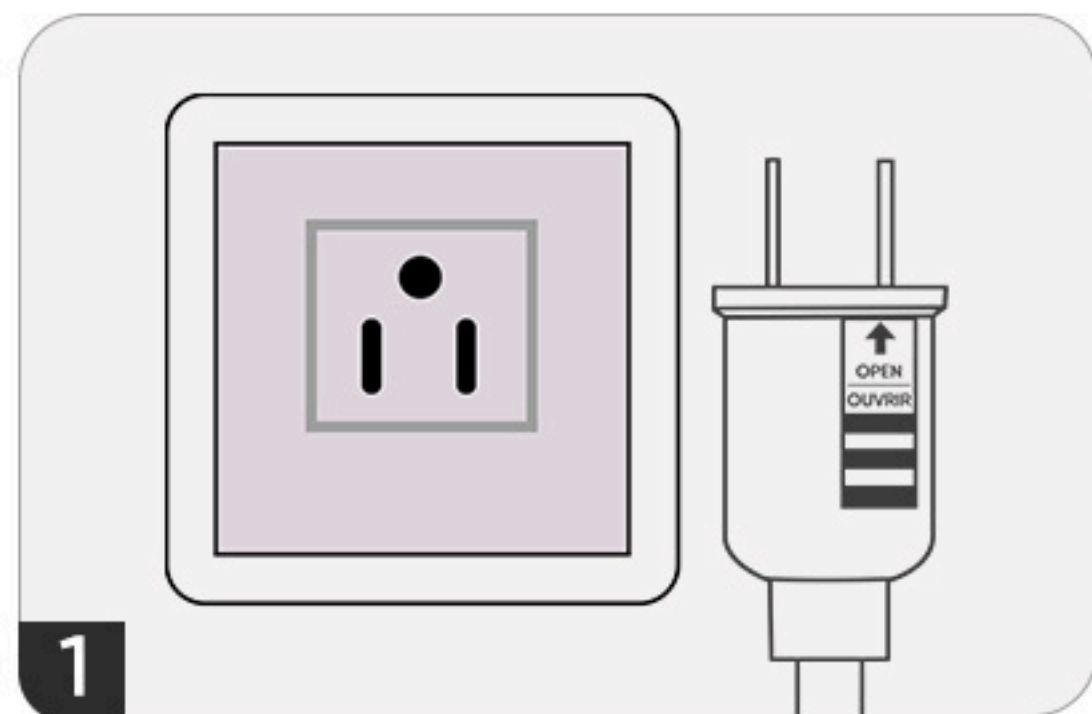
1. Disconnect power before you make any cutting.
2. Measure the desired length for your application, most of our rope light is cuttable at every 0.5 meter (approximately 20 inches). Make sure your desired length is divisible by the cuttable interval. If not, round up or down to the nearest interval and make sure this new length will still work with your project.
3. Locate the closest cut spot. There will be scissors and black dots every 0.5 meter on neon light indicating where to cut the rope light. Be sure to avoid cutting the diodes or the circuit boards. If you cut the light anywhere else, the internal circuit will be damaged and the light will not illuminate within the interrupted section that has been severed. Take either sharp scissors or utility knife, line it up perpendicularly and cut exactly at the dot. Try to keep the cut as clean and smooth as possible. You will see inner wires at the ends of your rope lights. This completes cutting the rope light and has prepared the end to receive any accessories that might be attached. A cut piece of rope light must have a few more things before it will work: a power cord with an inline rectifier, end cap.



POWER INSTRUCTIONS

If you're planning to cut several pieces to place in different locations, you will need to buy additional accessories to power the new cut piece. Our 120V line voltage driverless rope lights use AC high voltage and do not require a power adapter. So for single color rope light, you should buy extra power cord and end cap. The way to attach a power cord to your new cut piece is quite the same, they all connect to the light by pin. Last but not least, end cap must be attached before attaching to a power source.

1. Disconnect power first.
2. Locate and identify the 2 wires in the LED strip light on the positive side. It is important to keep the power flowing in the same direction to avoid mixing up polarity. The sharp prongs of the pin should be in the same direction with the "→" mark on the rope light.
3. Line up the sharp prongs of the pin with the light wires. Gently insert the pin into the LED strip light making sure to make a solid and correct connection with the internal wires. The pins do not need to be fully inserted, if you push the pins too far into the strip, it may cause damage to the wires or cause a short circuit.
4. Insert rounded prongs of the pin into the power cord/dimmer controller/RGB controller, LED lights are polarized, if they do not light up when you first plug them in, simply unplug the power cord and turn 180° the power cord as indicated and reconnect the strip light again.
5. Test the strip to make sure the light works by plugging in the power supply into an outlet. The lights should now come on. If the lights do not come on, please check the first step again. Always keep the rectifier or controller on power wire, don't remove it.

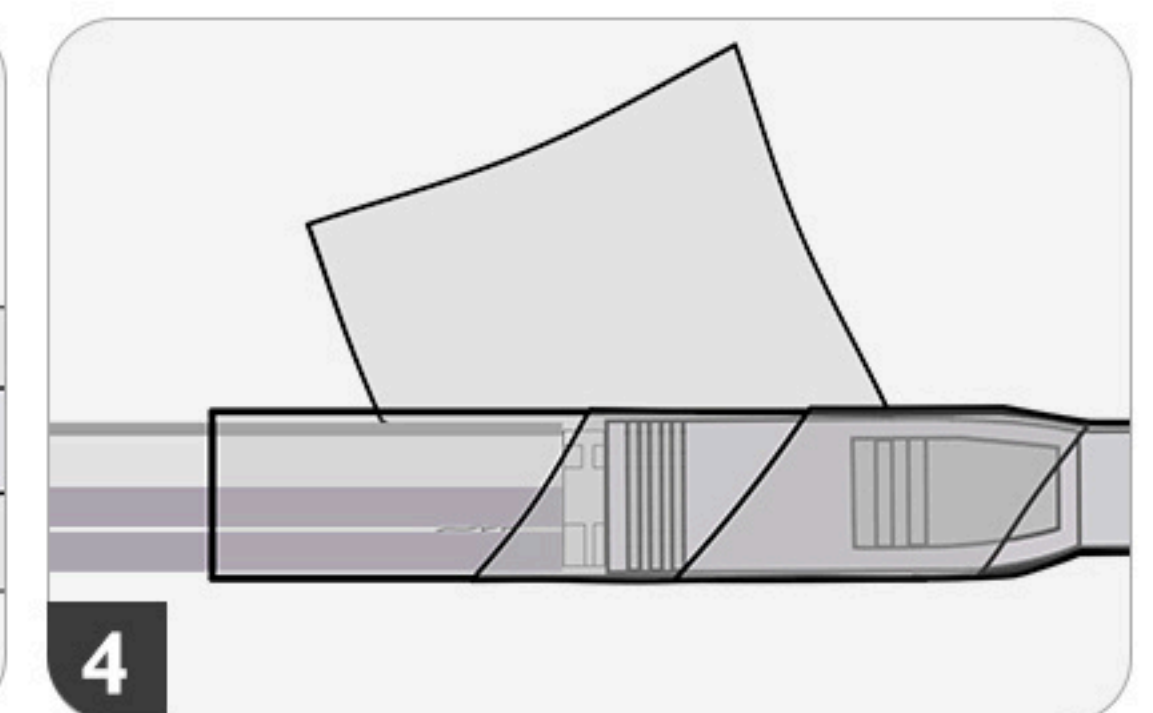
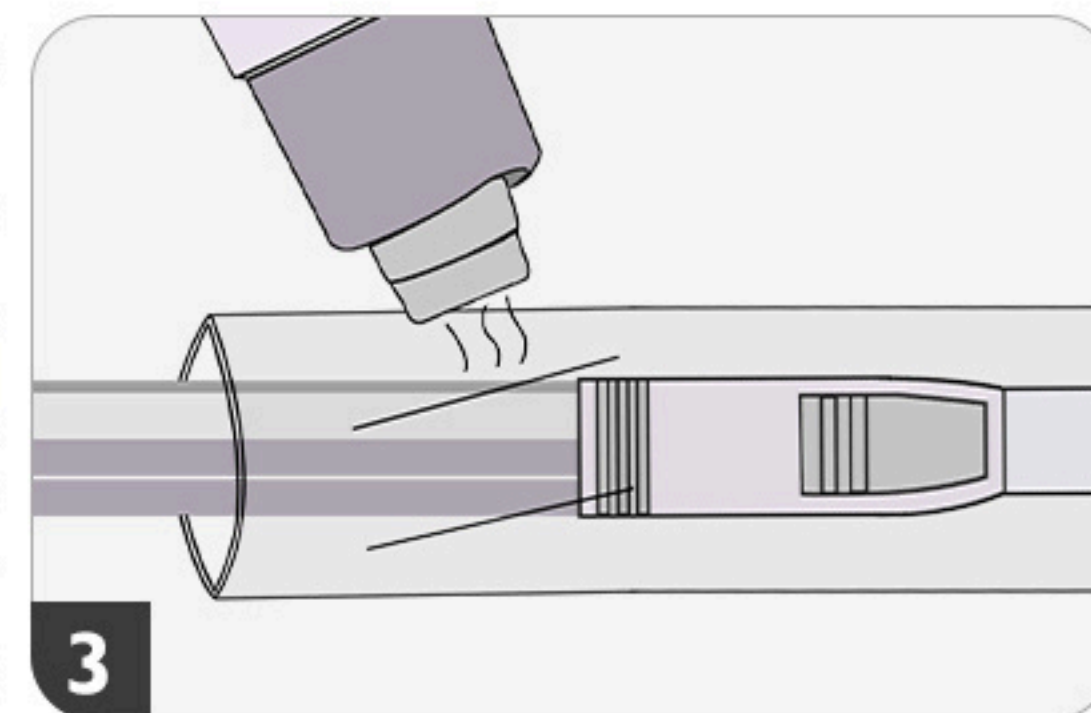
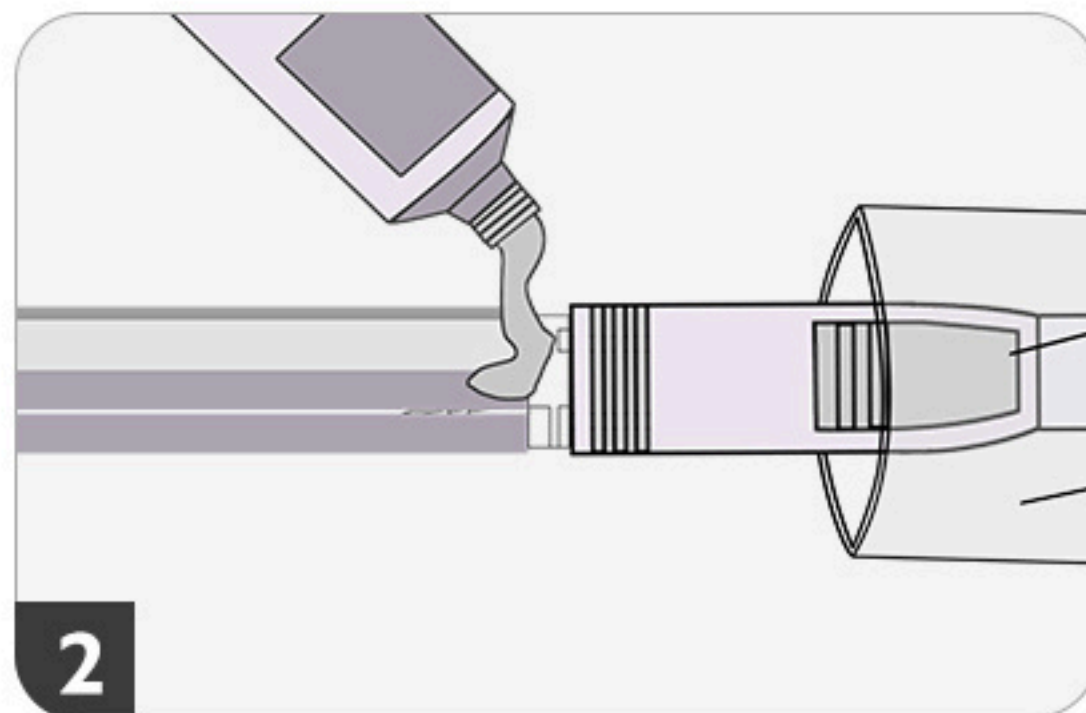
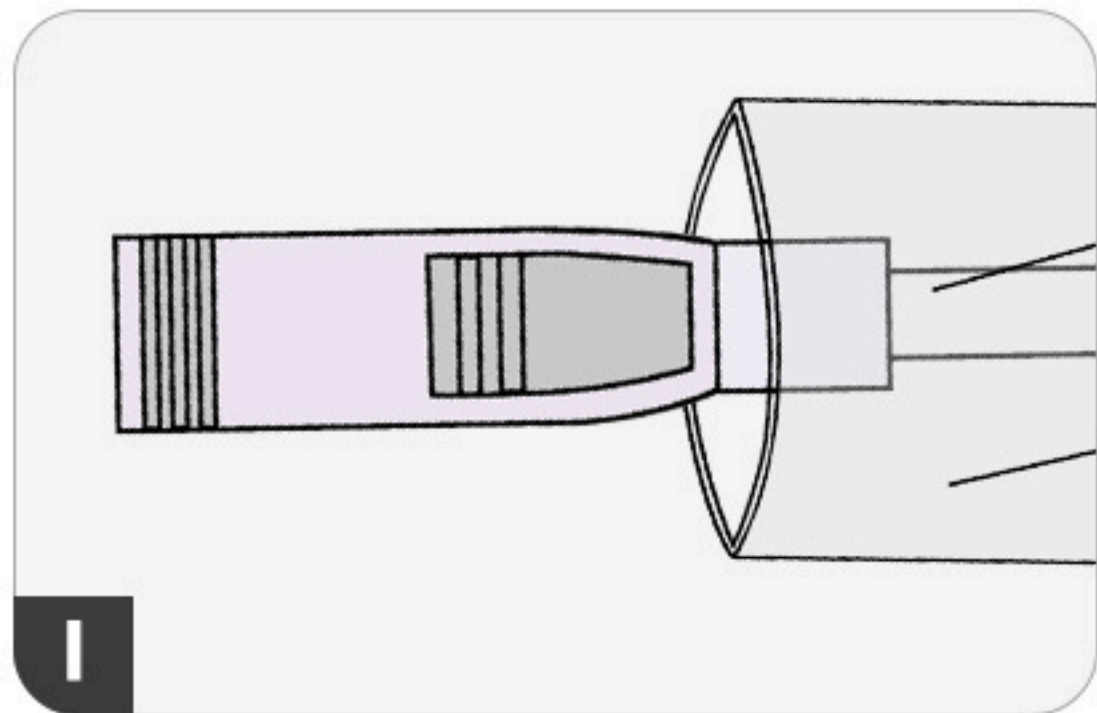


WATERPROOF INSTRUCTIONS

Important Note: Our 120V LED rope lights are not fully waterproof. When using our rope lights outdoors, all connections, power cords, and end caps must be properly resealed to prevent moisture intrusion which can cause dangerous short circuiting and even lead to fires. When using lights indoors, proper waterproofing would extend their lifespan. Also re-waterproofing your LED strip is a must after you have cut the strip. Waterproof PVC or silicone is required to seal all connections, power cords, and end caps. NOTE the use of any non-recommended sealant e.g. electrical tape may result in a strip light or strip light accessory failure and will void the warranty.



1. Disconnect power first. Cut about 4 inches of the shrink tube, and then slide it over the power cord.
2. Then waterproofing the connections by applying silicone adhesive liberally into the inside and outside of the connected area. Gently press out any bubbles and make sure to wipe out excess adhesive, let it dry for 24 hours.
3. Slide the heat shrink tubing over the connected area, then use a heat gun to heat up the tubing to create the seal.
4. To create an authentic watertight seal, you need to further waterproof it by wrapping more tubing around connections in an overlapping spiral fashion, then use a heat gun to repeat these steps. Make sure the end cap get waterproofed too.



TROUBLESHOOTING

Problem	Possible Cause	Solution
The entire light will not illuminate	Incorrect power source	Ensure the light is plugged into an 120VAC outlet and the power is on.
	Loose pin connection	Check the pin connection and make sure the pin is inserted fully into the internal wires.
	Mixed polarity	Check the right polarity according to the POWERING INSTRUCTIONS.
	Rectifier issue	Replace the power cord.
	Blown fuse	Check if the inline fuse on the plug has blown, fuses normally blow out when they short circuit caused by water intrusion or damaged wiring connections.
The light has sections that will not illuminate	Manufacturing flaw or mechanical damage during shipping	Check if the sections do not light up when the light first arrives.
	Incorrect bending during installation	Do not fold or stretch the rope lights. Do not bend the light to sharp angles or make repeated and continuous bending as this may damage circuit traces during installation.



LUMENS DEPOT

PRO LIGHTING SOLUTION

TEL: +18007658555

E-MAIL: helpdesk@lumensdepot.com

[HTTP://WWW.LUMENSDEPOT.COM](http://WWW.LUMENSDEPOT.COM)

ADDRESS: 18 Lawrence Pkwy, Tenafly, New Jersey, 07670, USA