

120V

3D BEND NEON

ROPE LIGHTS INSTRUCTIONS



CONTENTS

DISCLAIMER	01	ACCESSORIES	03
WARRANTY	01	CUTTING INSTRUCTIONS	04
WARNING	02	WATERPROOFING INSTRUCTIONS	05
SPECIFICATIONS	02	TROUBLESHOOTING	06

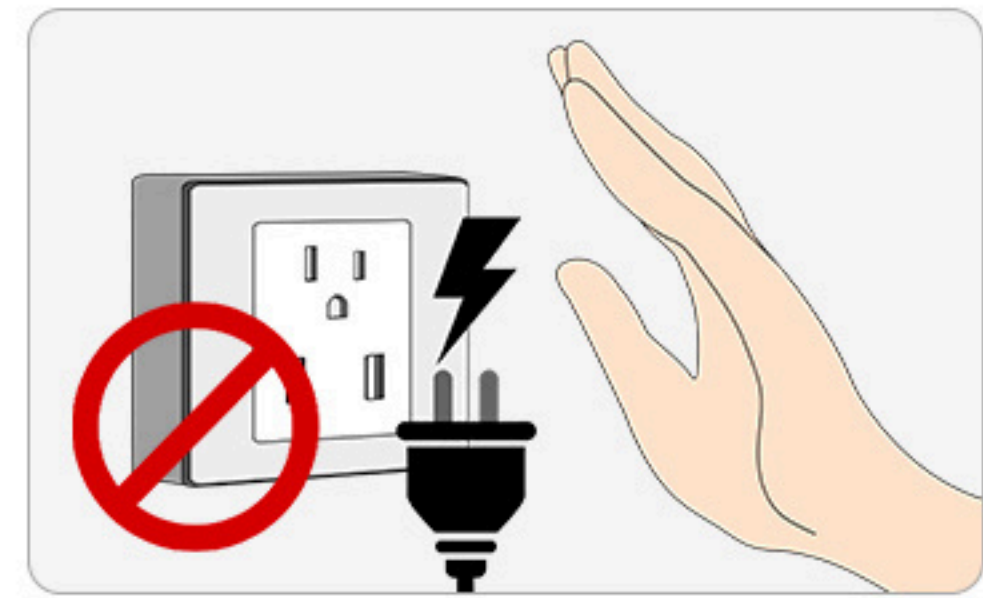
DISCLAIMER

Dear customer, these instructions are suggested installation procedures only, they do not constitute professional installation and may not necessarily meet all electrical requirements in your state. Please be reminded that our products covered by our ETL report are not intended to be field cutting or splicing. Shine Decor assume no liabilities occur from improper installation including incorrect cutting, splicing and damaged waterproof insulation etc.

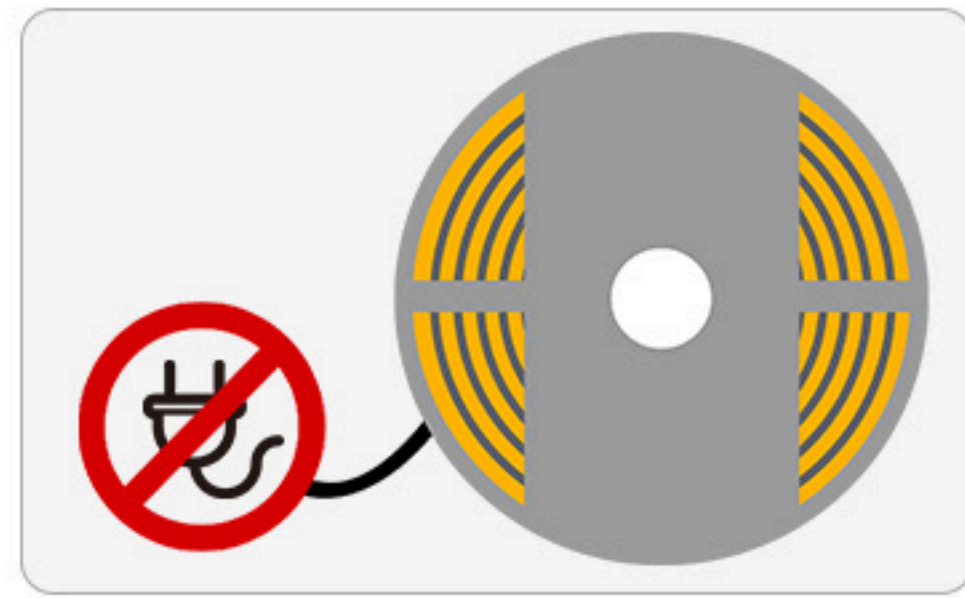
WARRENTY

All of our products are warranted against defects in materials and workmanship for a period of one year from the date of original purchase. We provide 1 month hassle-free full refund, 6 months money back or free replacement and 12 months limited warranty.

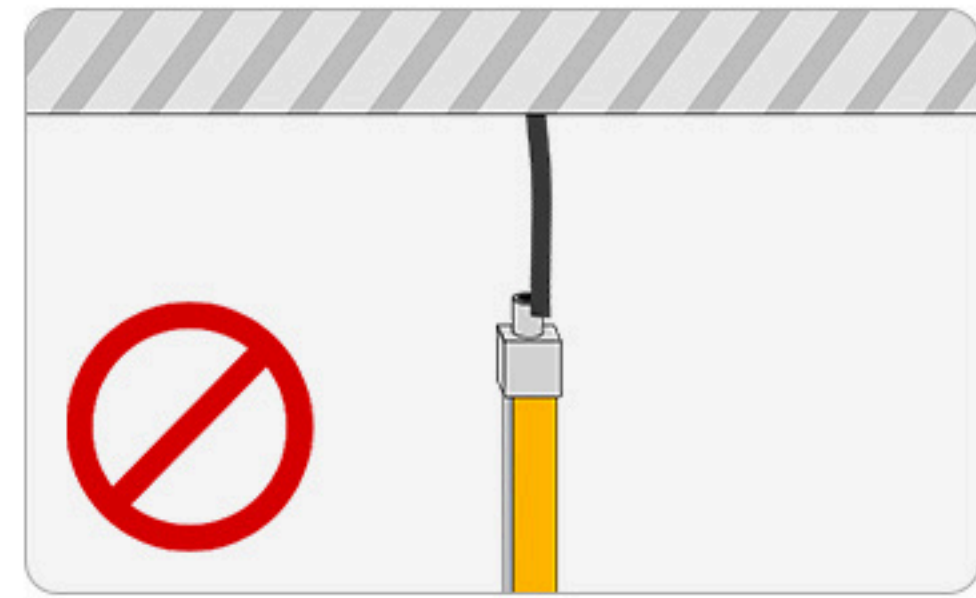
WARNING



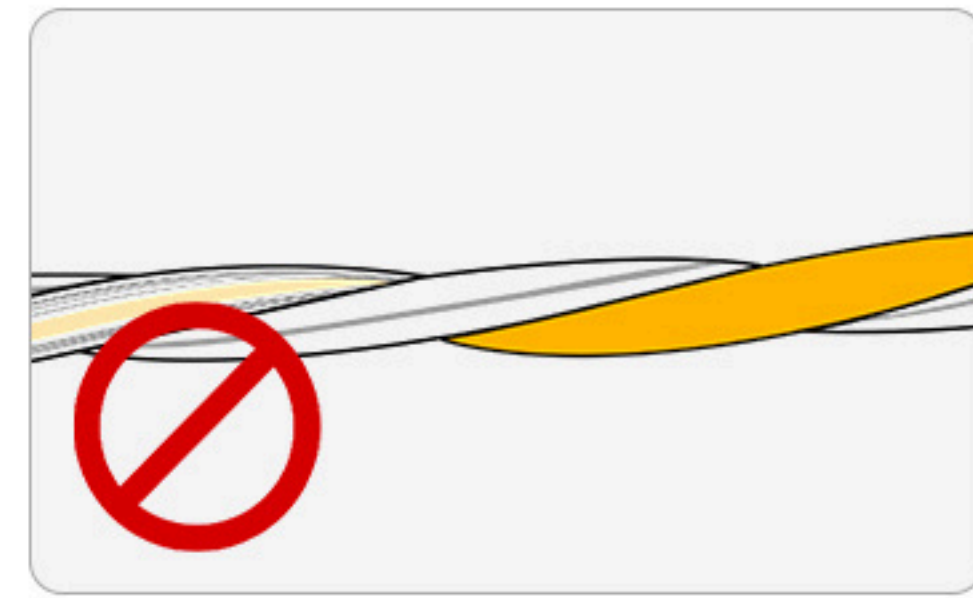
1. Unplug the light before installation.



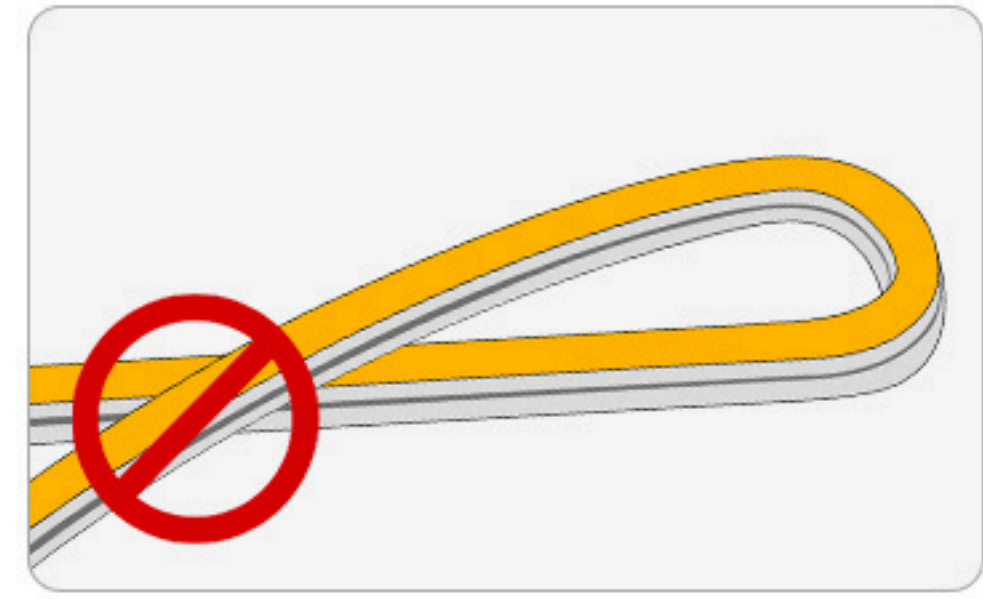
2. Unroll the light completely before powering it on.



3. Do not suspend the power cable.



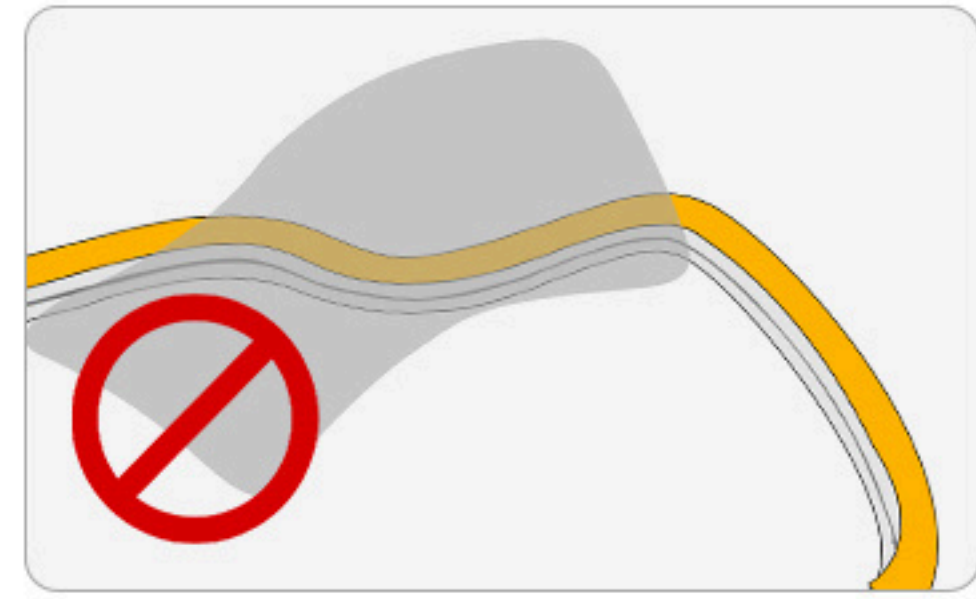
4. Do not twist the light.



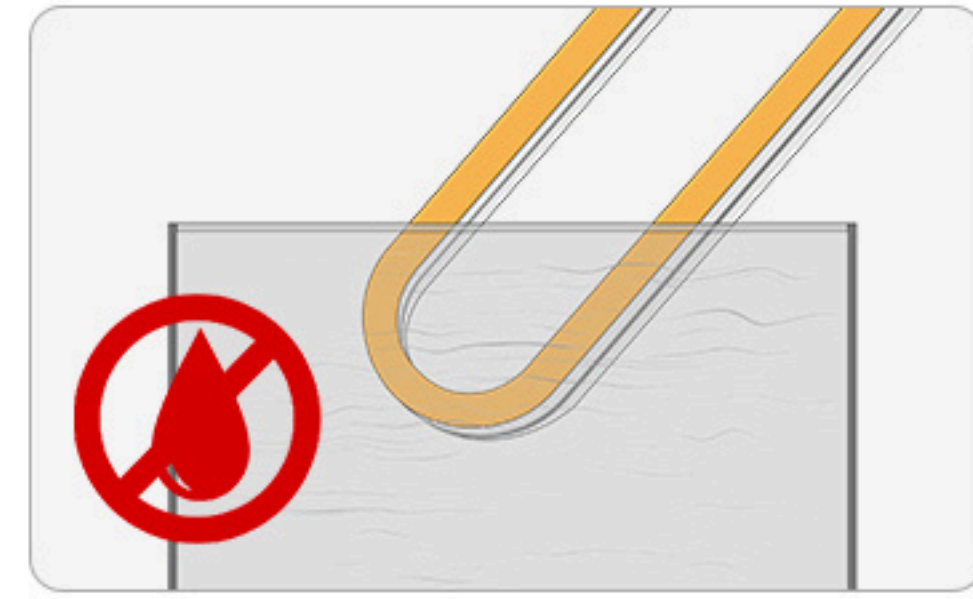
5. Small angle bending is prohibited.



6. Do not trample the light.



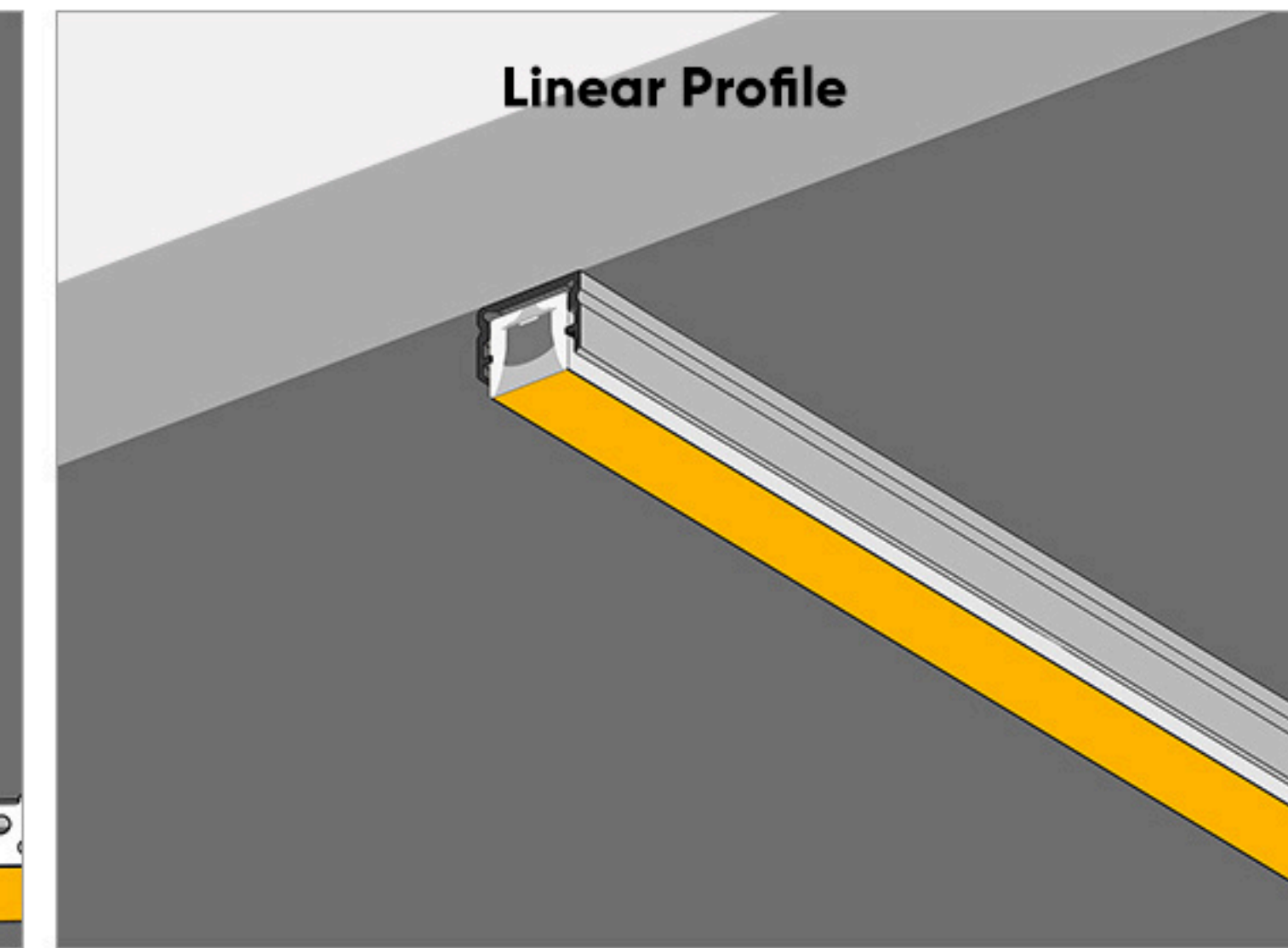
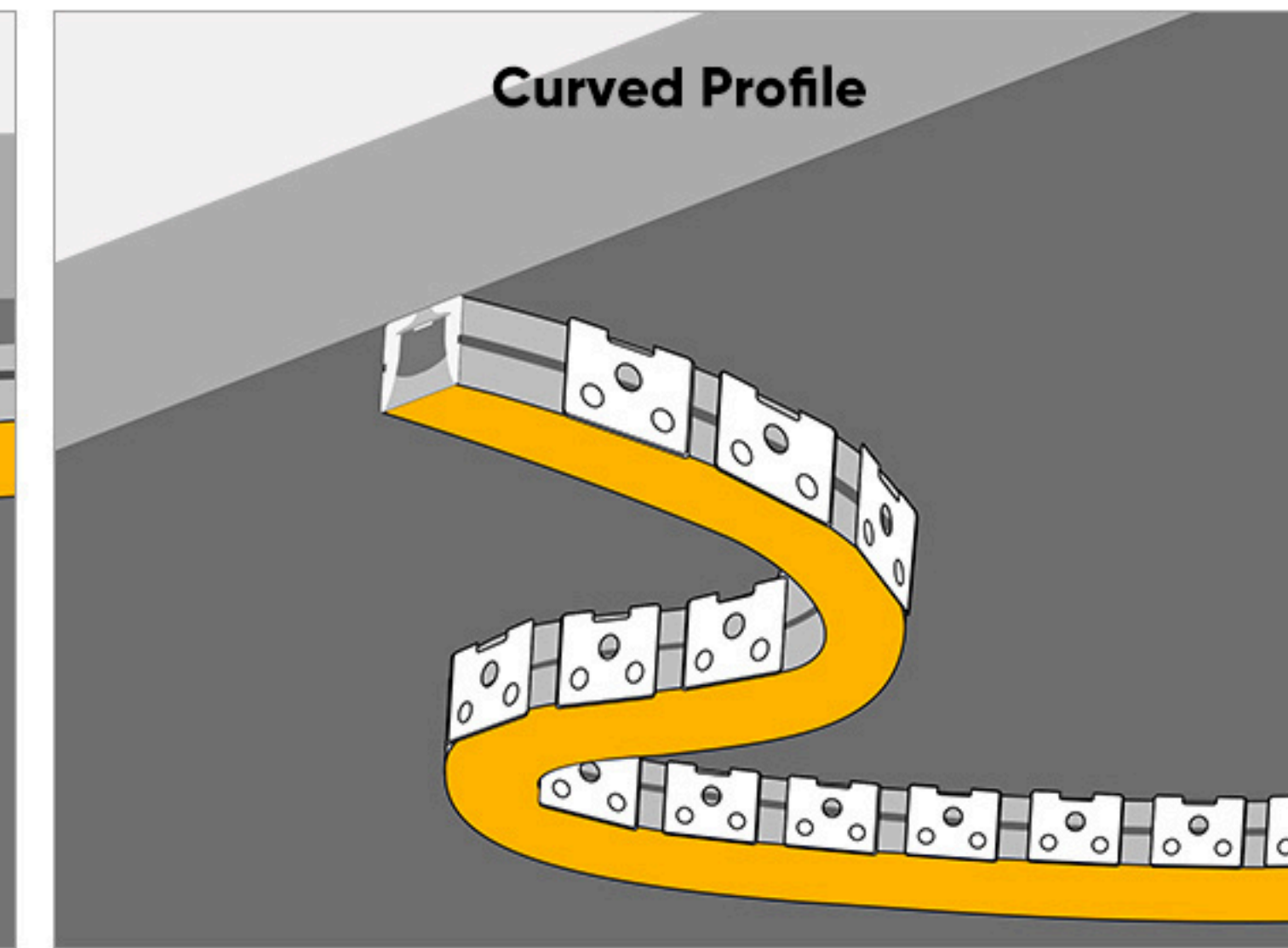
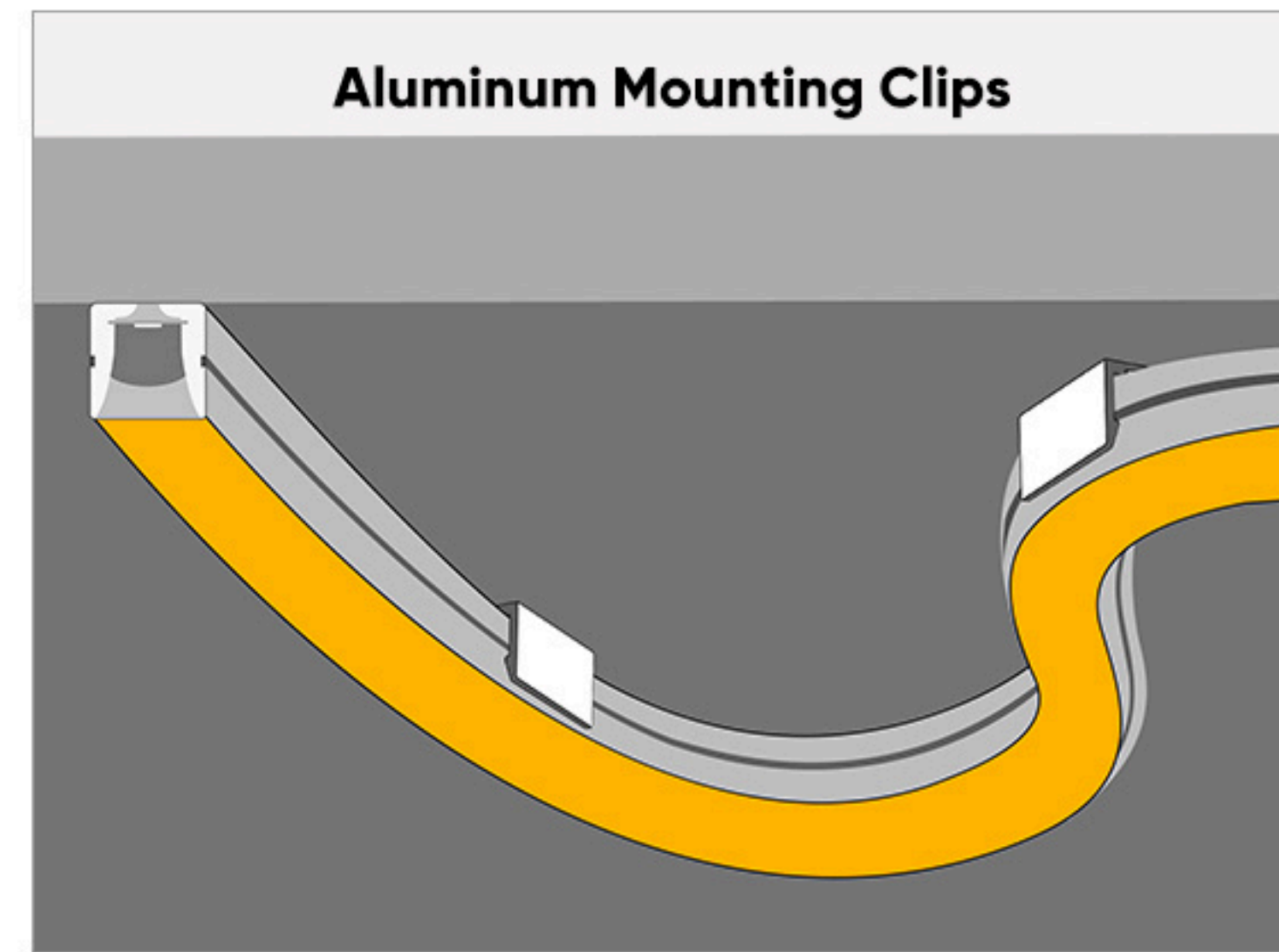
7. Do not cover the light.



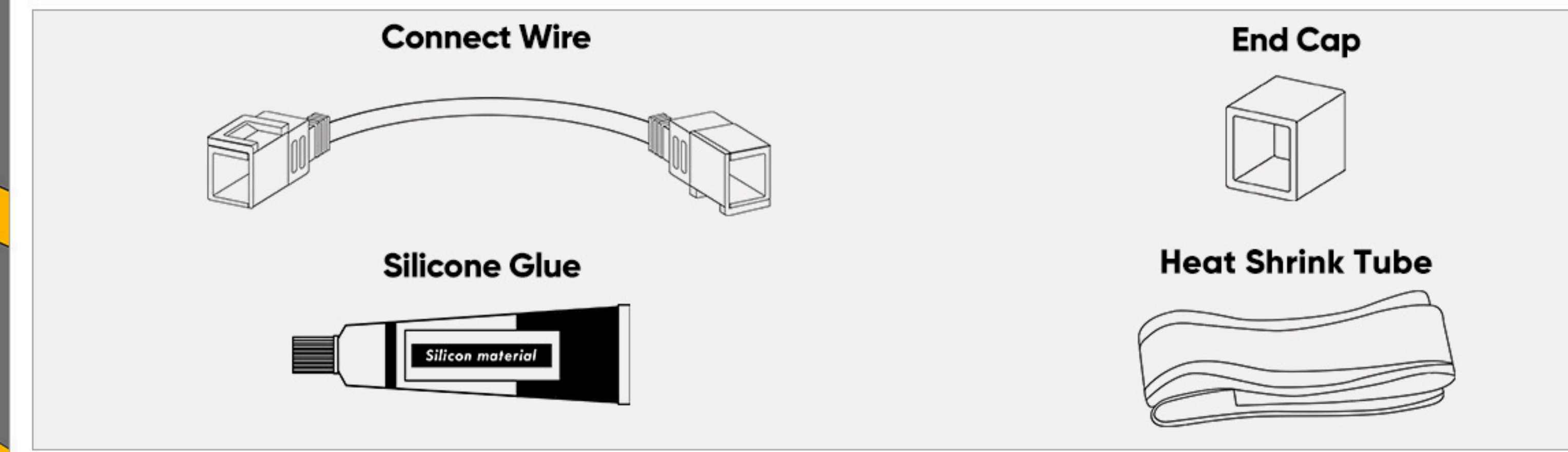
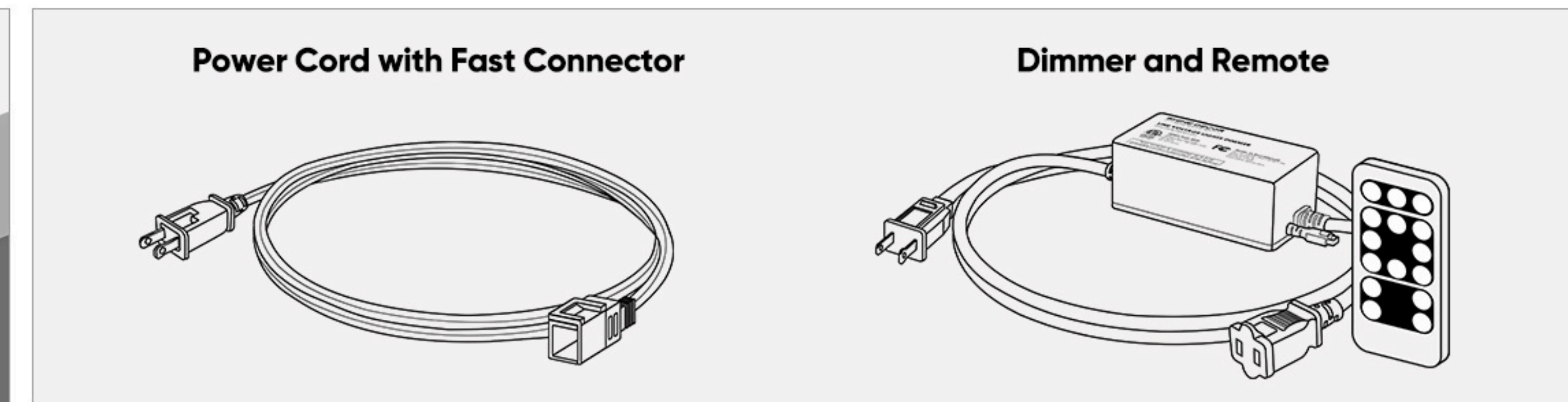
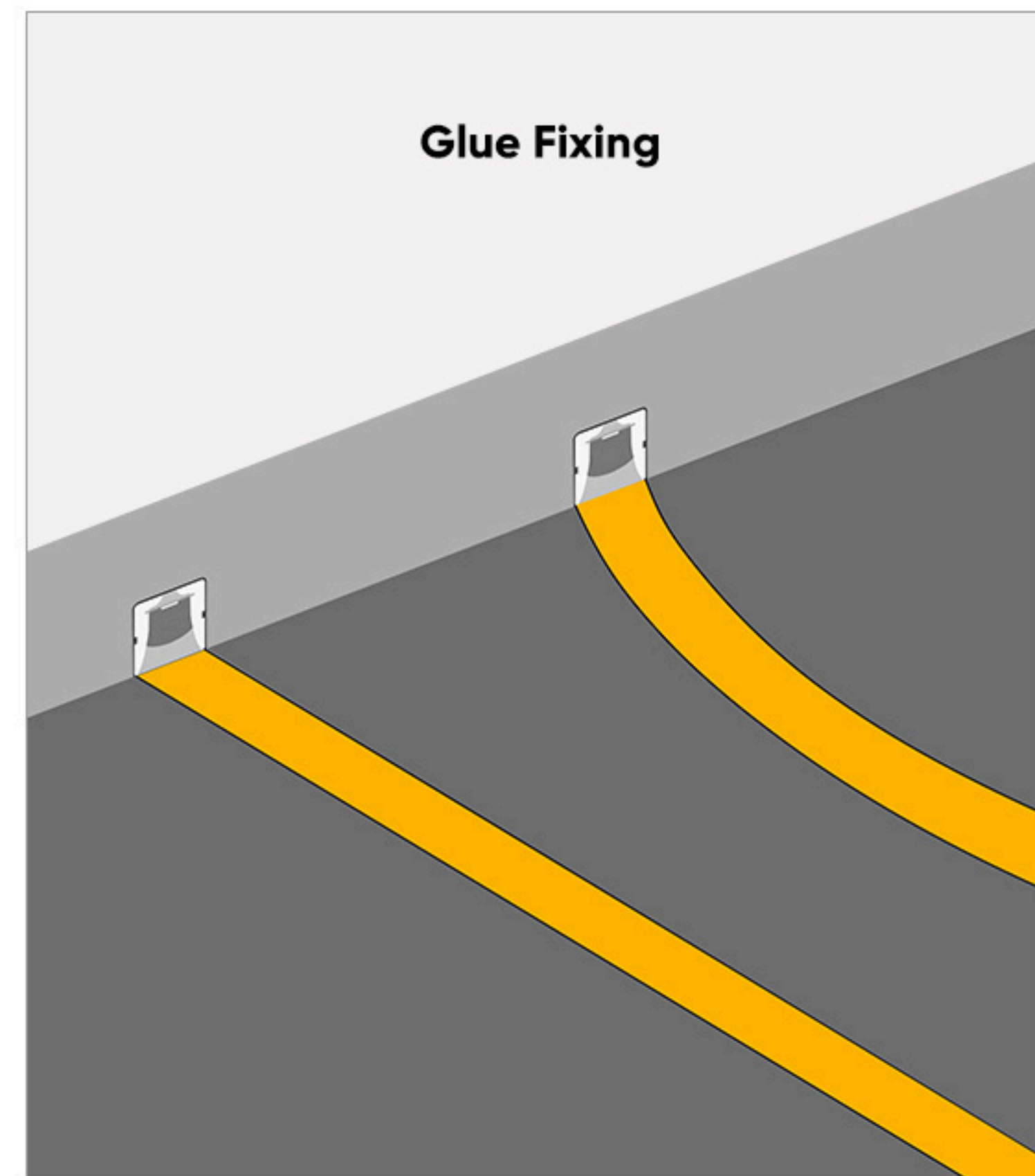
8. Do not submerge in water.

ACCESSORIES

Surface Mount



Recessed Mount



SPECIFICATIONS

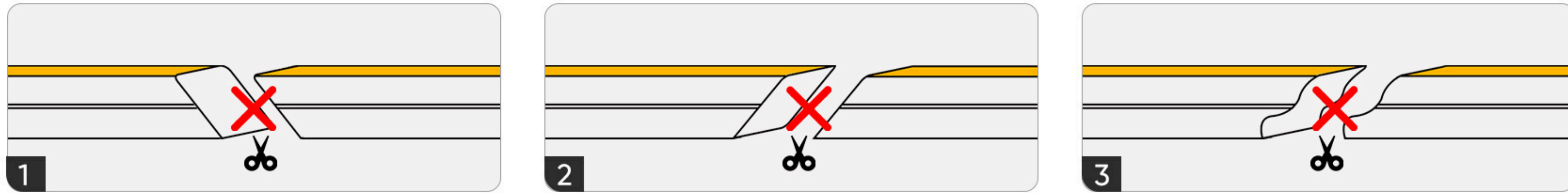
Voltage	120V	LED Type	SMD2835
Power Consumption	10W/M	Cutting Interval	10CM/3.9IN
Max. Run Length	25M/82FT	IP Rating	IP65 (non-submersible)
LED Density	120LED/M	Application	INDOOR & OUTDOOR

CUTTING INSTRUCTIONS

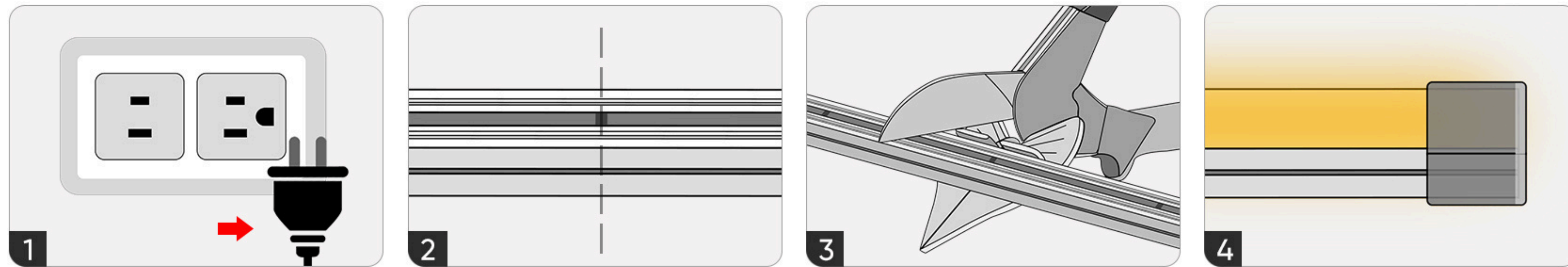
IMPORTANT NOTES:

Although 3D Bend Neon Rope can be cut at designated cutting mark, we do not recommend cutting for the following reasons:

1. Cutting rope lights voids any certification the product have had in it's pre-modified state.
2. Cutting or damaging outer tubing can cause an electrical or fire hazard.
3. Cutting anywhere besides cutting marks will damage that section of rope lights and cause it to fail.



1. Disconnect power before lighting it up.
2. Measure the desire length for your application, 3D neon is cuttable at every 10 centimeters/ 3.9 inches. There will be black marks at the bottom of the neon rope indicating where to cut the rope lights.
3. Use professional scissors to cut vertically at the cutting mark, please don't feel free to cut and cut into an oblique angle or cambered section.
4. Attach end cap to the end of the neon rope light, and test the light by lighting it up.



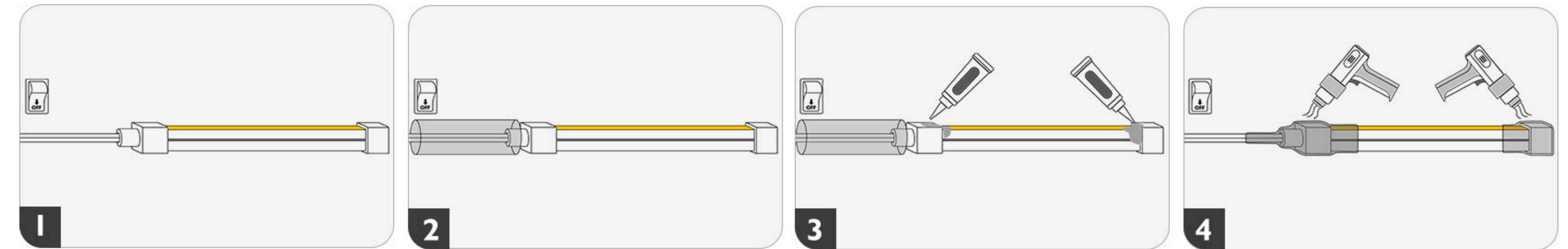
WATERPROOF INSTRUCTIONS

Important Note:

All connections, power cord connection part, end caps, splice connection part are non-waterproof and must be properly sealed and resealed to prevent moisture intrusion which can cause dangerous short circuiting and even lead to fires.



1. Disconnect power first.
2. Cut about 4 inches of the heat shrink tube, and then slide it over the power cord.
3. Waterproof connections by applying silicone adhesive liberally into the inside and outside of the connection part. Gently press out any bubbles and make sure to wipe out excess adhesive, let it dry for 24 hours.
4. Slide the heat shrink tube over the connected area, then use a heat gun to heat up the tubing to create the seal.
5. To create an authentic watertight seal, you need to further waterproof it by wrapping more tubing around connections in an overlapping spiral fashion, then use a heat gun to repeat these steps. Make sure the end cap get waterproofed too.



Problem	Possible Cause	Solution
The entire light will not illuminate	Incorrect power source	Ensure the light is plugged into an 120VAC outlet and the power is on.
	Loose connection, Solution	Re-check the connections. Due to it being clamped inside, the external tension is not enough. The connection could fall away after long-term use.
	Mixed polarity	Check the right polarity according to the POWERING INSTRUCTIONS.
	Blown fuse	Check if the inline fuse on the plug has blown, fuses normally blow out when they short circuit caused by water intrusion or damaged wiring connections.
The light has sections that will not illuminate	Manufacturing flaw or mechanical damage during shipping	Check if the sections do not light up when the light first arrives.
	Incorrect bending during installation	Do not fold or stretch the rope lights. Do not bend the light to sharp angles or make repeated and continuous bending as this may damage circuit traces during installation.



TEL: +18007658555

E-MAIL: helpdesk@lumensdepot.com

HTTP://WWW.LUMENSDEPOT.COM

ADDRESS: 18 Lawrence Pkwy, Tenafly, New Jersey, 07670, USA