

LED Retrofit Downlight



Lumens Depot Foam Retrofit Downlight is designed to combine efficiency, flexibility, and modern aesthetics to deliver a superior lighting experience. Featuring 12W power output and 5 selectable CCT options, it allows users to easily switch between 2700K, 3000K, 3500K, 4000K, and 5000K, making it simple to customize the lighting atmosphere for any space.

This versatility makes it an excellent choice for homes, offices, and retail environments, ensuring the right brightness and color temperature for different applications. The ultra-thin, low-profile design provides a clean and seamless look when installed in ceilings, enhancing the overall appearance of modern interiors.

For added convenience, the fixture includes E26 quick connection compatibility or junction box installation, allowing for fast and straightforward setup. With a damp location rating, Lumens Depot Foam Retrofit Downlight is built to deliver reliable performance across a variety of indoor environments, including kitchens, bathrooms, living areas, and professional spaces.

Product Features

- Up to 88 lm/W
- 12 Watt
- Adjustable CCT
- Available in 6"
- Triac Dimming
- 120° Beam Angle
- White housing
- Input Voltage 120VAC
- ETL listed
- 5-year warranty

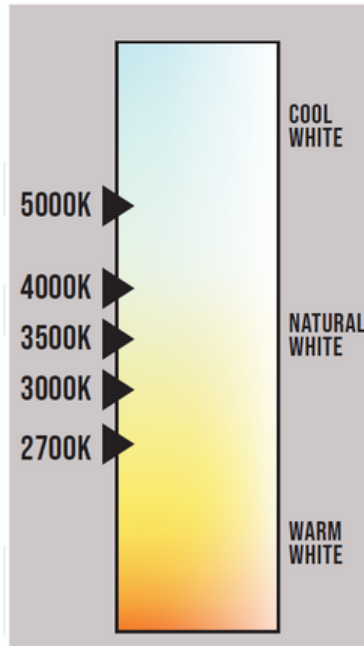
LED Retrofit Downlight

Specification

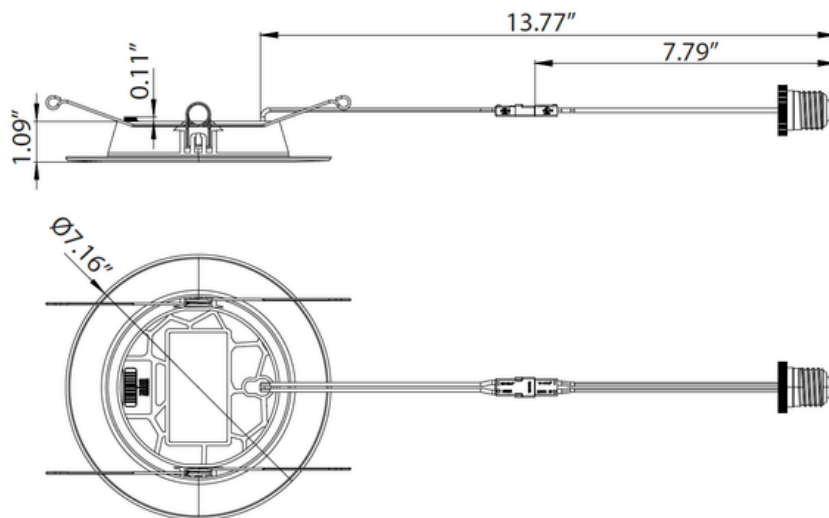
Parameter	Description	Value
General Performance	Model #	FXF01181
	Watt	12W
	Max Lumen	1050
	Lumen Efficacy	Up to 88LM/W
	Color Temperature	2700K / 3000K / 3500K / 4000K / 5000K
	CRI (Ra)	>80
	Light Spread	120°
	Diffuser Type	PC Lens
Electrical	Input Voltage	120VAC
	Frequency	50/60Hz
	Dimming	Triac Dimmable
	Power Factor	≥0.7
Physical	Operating Temperature	-20°C~45°C
	Operating Humidity	≤80%RH
	Storage Temperature	-20°C~65°C
	Storage Humidity	≤95%RH
	LED Brand	MLS
	LED Type	2835
	LED QTY	16+16 PCS
Construction	Aluminum	
Qualification	Housing Color	White
	IP Rating	Damp Location
	Warranty	5 Years

LED Retrofit Downlight

Correlated color temperature (CCT)

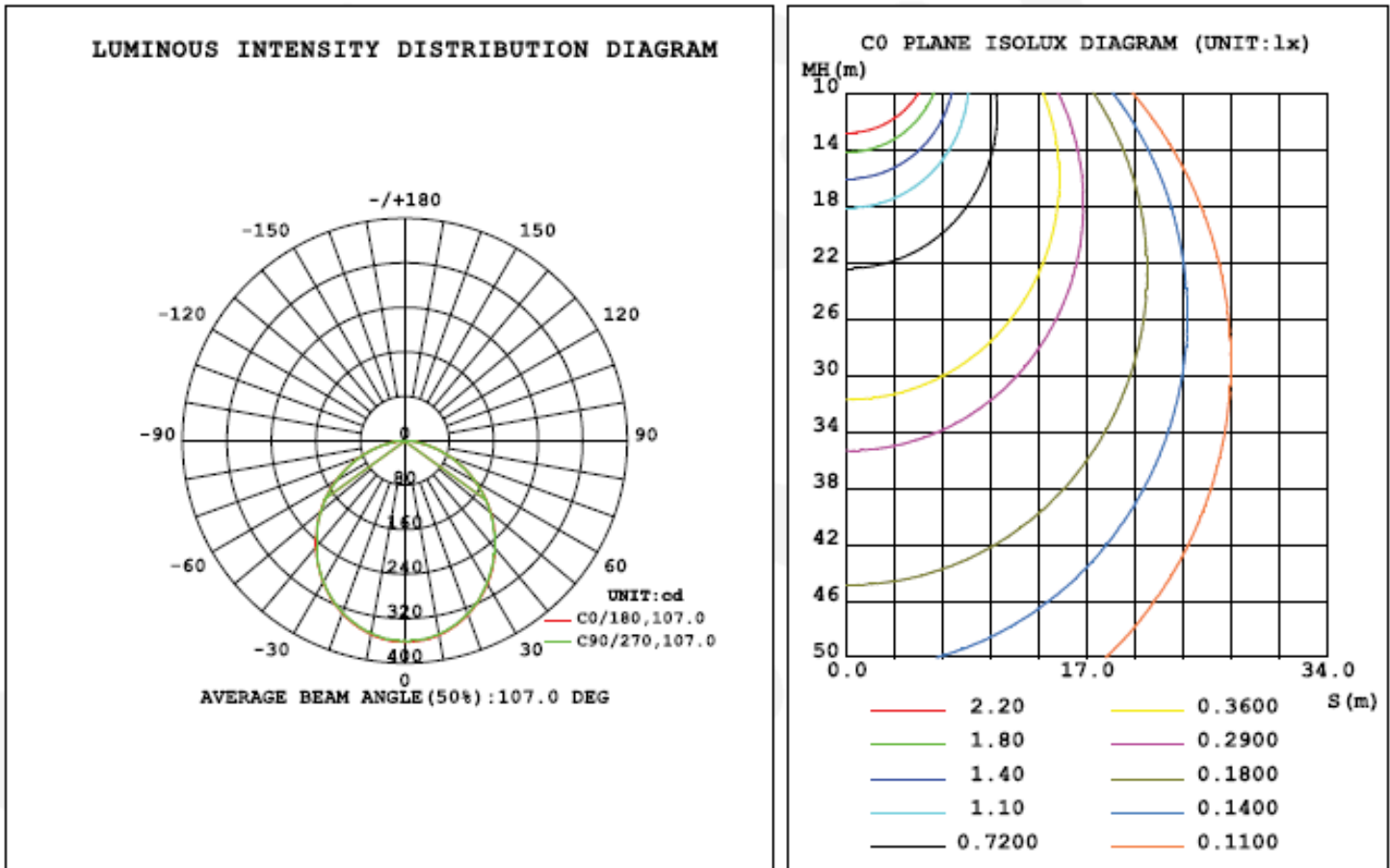


Dimensions



LED Retrofit Downlight

Photometric Data



C Range: 0 - 360DEG
C Interval: 90.0DEG
Test Speed: HIGH
Temperature:25.3DEG
Operators:
Test Date:26 August 2024

γ Range: 0 - 180DEG
 γ Interval: 0.5DEG
Test System:EVERFINE GO-2000A_V1 SYSTEM V2.0.350
Humidity:55.0%
Test Distance:8.852m [K=1.0000]
Remarks:

LED Retrofit Downlight

Installation

WARNING

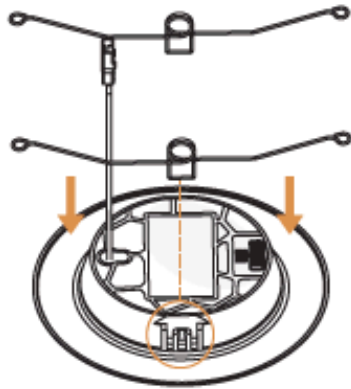
SAFETY INFORMATION

- THIS DEVICE IS NOT INTENDED FOR USE WITH EMERGENCY EXITS
- WARNING – RISK OF FIRE OR ELECTRIC SHOCK. INSTALLATION OF THIS RETROFIT KIT REQUIRES A PERSON FAMILIAR WITH THE CONSTRUCTION AND OPERATION OF THE LUMINAIRE'S ELECTRICAL SYSTEM AND THE HAZARD INVOLVED. IF NOT QUALIFIED, DO NOT ATTEMPT INSTALLATION.
- CONTACT A QUALIFIED ELECTRICIAN.
- WARNING – RISK OF FIRE OR ELECTRIC SHOCK. INSTALL THIS KIT ONLY IN THE LUMINAIRE THAT HAS THE CONSTRUCTION FEATURES AND DIMENSIONS SHOWN IN THE PHOTOGRAPHS AND/OR DRAWINGS AND WHERE THE INPUT RATING OF THE RETROFIT KIT DOES NOT EXCEED THE INPUT RATING OF THE LUMINAIRE.
- DO NOT MAKE OR ALTER ANY OPEN HOLES IN AN ENCLOSURE OF WIRING OR ELECTRICAL COMPONENTS DURING KIT INSTALLATION.

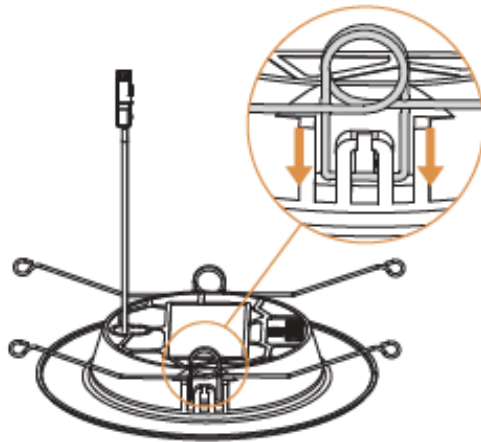
LED Retrofit Downlight

Installation

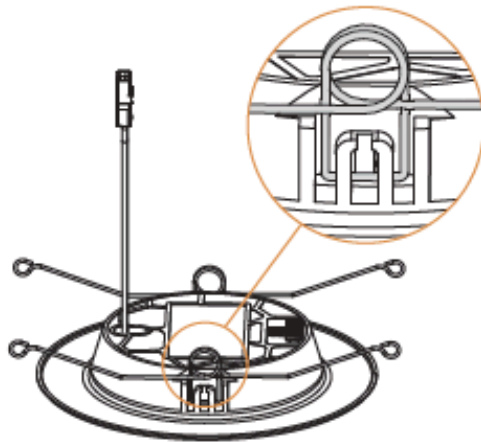
ACCESSORIES INSTALLATION



Place the spring as shown.



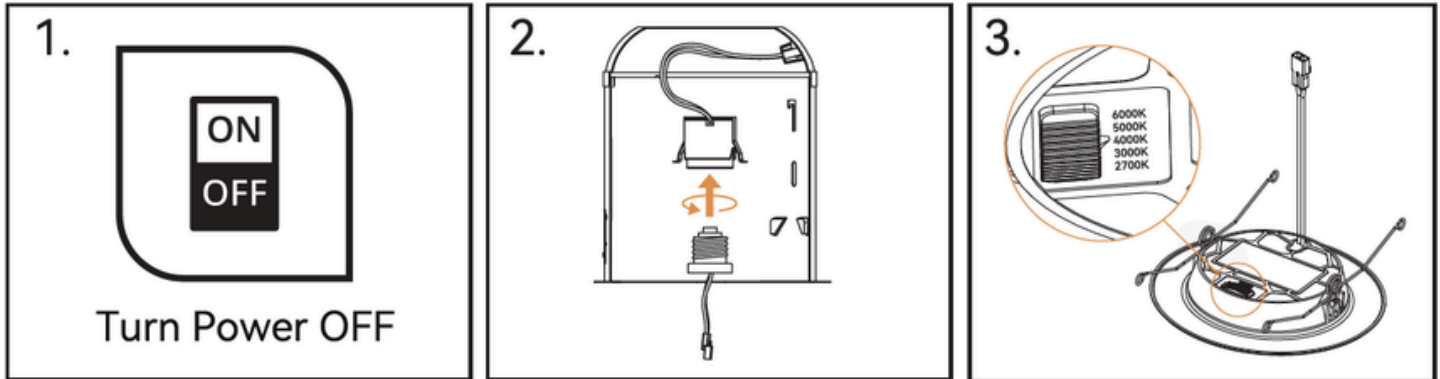
Make sure the spring snaps into the buckle.



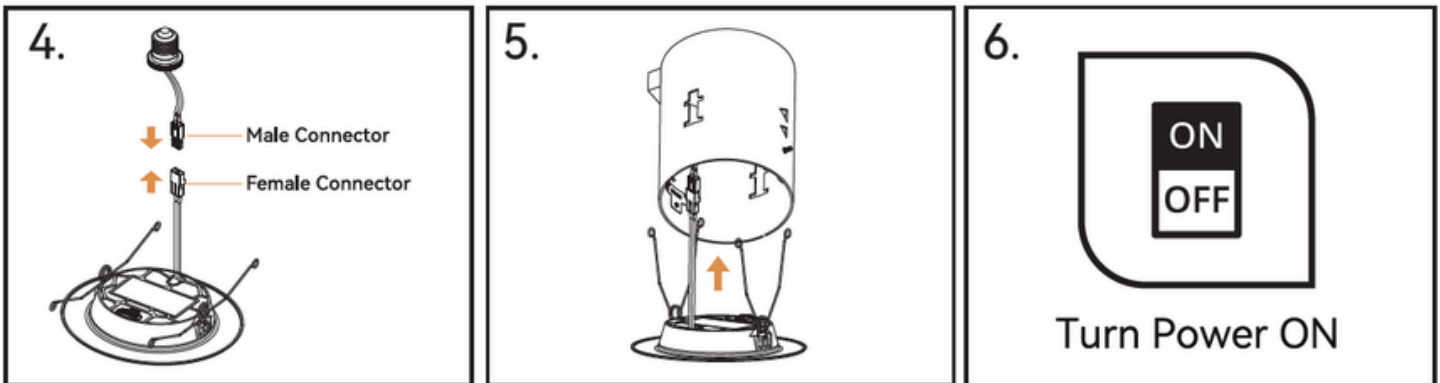
After installation, check whether the spring will fall off.

LED Retrofit Downlight

Installation



1. Turn off circuit breaker that provides power to the light switch for the recessed lights.
2. Thread the socket adapter into the socket.
3. The toggle switch to the specified color temperature



4. Plug the female connector of the retrofit trim onto the male connector of the housing.
5. If using torsion springs, squeeze both torsion spring arms together and insert into the torsion spring slots (or c-clips) of the can. Tuck all wires into the can and carefully push the retrofit trim into can (Note: to provide enough room in shallow cans carefully position SOCKET ADAPTER and SOCKET adjacent to the side of the LED DRIVER prior to inserting the RETROFIT TRIM into the CAN).
6. Turn on circuit breaker and test light

WARNING

- WARNING – TO PREVENT WIRING DAMAGE OR ABRASION, DO NOT EXPOSE WIRING TO EDGES OF SHEET METAL OR OTHER SHARP OBJECTS.

LED Retrofit Downlight



Installation

DIMMER COMPATIBILITY GUIDE

Brand	Model	Star Rating
LUTRON	PD6WCL	★ ★ ★ ★ ↘
	MSCL-OP153M	★ ★ ★ ★ ↘
	CN-600P	★ ★ ★ ★ ↘
	DVCL-153P2.1	★ ★ ★ ★ ↘
	SCL-600P	★ ★ ★ ★ ↘
	SLV-600P	★ ★ ★ ★ ↘
	MACL-153M	★ ★ ★ ★ ↘
	DV-600P	★ ★ ★ ★ ↘
LEVITON	IPL06	★ ★ ★ ★ ↘
	DSL06	★ ★ ★ ★ ↘
	IPI06	★ ★ ★ ★ ↘
	6674	★ ★ ★ ★ ↘
	6631	★ ★ ★ ★ ↘

LED Retrofit Downlight

PROBLEMS AND COUNTERMEASURES

PROBLEM	PROBABLE CAUSE	SOLUTION
Unlit	The wire falls off/loosens/breaks	Check that the wires are well connected
	The power switch is not turned on	Make sure the power switch is on
	The light holder in the UL cans is damaged	Check and replace with a new light holder
	Loose connection between E26 adapter and light base	Check the E26 adapter and light holder are well installed
	Loose connection on TP24 connector	Change the TP24 connector
	The voltage is too high and the product is damaged	Make sure the voltage is 120V
	None of the above	Reach out to our Customer Support
Dim	The wire falls off/loosens/breaks	Check the wires are well connected
	Incompatible dimmer	Check the dimmer model with the manual
	Not setting the dimmer right	Check dimmer settings
	Too many lights are connected to one dimmer	Reduce the number of lights connected to a dimmer (the total power of the lights should be less than 75% of the rated power of the dimmer)
	The brightness of lighting is too low	Install more lights 4inch: 2-4ft; 6inch: 5-7ft
	The brightness of lighting is too high	Turn down the dimmer or reduce the number of lights on at the same time
	Voltage is too low	Check the voltage to make sure it is 120V
	Loose connection between E26 adapter and light base	Check the E26 adapter and light holder are well installed
	The light is not installed correctly	Check the installation of the light, to ensure that the springs and other parts are normal
Flickering	The wire falls off/loosens/breaks	Check the wires are well connected
	Incompatible dimmer	Check the dimmer model with the manual
	Not setting the dimmer right	Check dimmer settings
	Too many lights are connected to one dimmer	Reduce the number of lights connected to a dimmer (the total power of the lights should be less than 75% of the rated power of the dimmer)
	High-power electrical appliances on the same circuit	Reduce the number of lights light on the same time
	Voltage is too low	Check the line voltage to make sure the voltage is 120V
	Loose connection between E26 adapter and light base	Check the E26 adapter and light holder are well installed
Falls	No C-clamp on the can	Replace the can, or install the C-clamp
	The can has C-clamp but the spring was not fixed in the clamp	Re-install
	The spring is loose	Reach out to our Customer Support

LED Retrofit Downlight

Packaging

Box Type	Size	Box Dimension	Qty	Net Weight	Gross Weight
Inner Box	6"	13.38" x 2.67" x 7.36"	4 Pcs/Box	0.95LBS	1.43LBS
Outer Box	6"	13.38" x 8.66" x 7.87"	6 Pcs/Box	2.84LBS	5.14LBS

Application Image



LED Retrofit Downlight

Application Image

