

BACK-LIT LED PANEL

1*4FT

2*2FT

2*4FT



FEATURES

- UP TO 135LM/W
- CLASS P Programmable LED Driver, 4 Step Power Adjustable
- CR>80, CCT Tunable, 3000K, 3500K, 4000K and 5000K
- Minimize Stock, 1 SKU Can Cover Max. Of 16 Models.
- An Auxiliary To Connect Low Voltage Sensor / BLE Or Other IOT Network.
- Super Thin Version
- 5-100% 0-10V Dimmable, Flicker Free, Dim To Off.
- Built-in PIR Sensor And Motion Sensor Options.
- Built-in Emergency Driver Option.
- L70 > 50,000hrs, 5 year Warranty

HOUSING

- 0.6mm Cold Rolled
- Steel Lotte PCLens

APPLICATION

- Schools, Offices, Conference
- Room, Hospitality Etc.

INSTALLATION

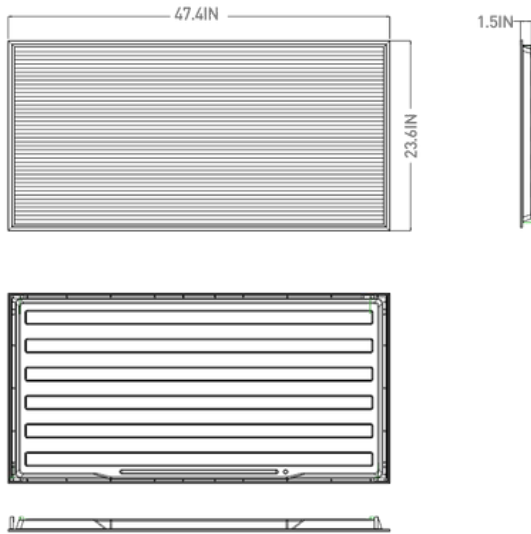
- Recessed Mounted

CERTIFICATE

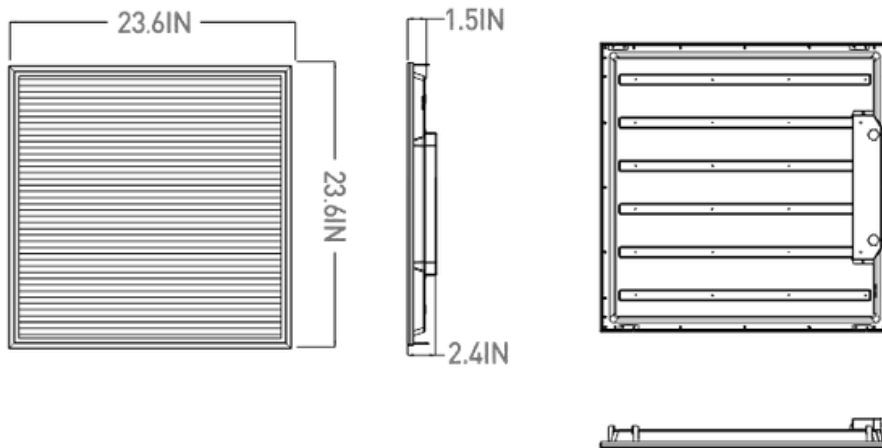
- UL Listed: UL 1598 Suitable For Damp Locations, Type IC
- IESNA LM79 & LM-80 Testing: Paclights LED Luminaires Have Been Tested By An Independent Laboratory In Accordance With IESNA LM-79 and LM-80.
- Color Uniformity: Paclights' Range Of Correlated Color Temperature Follows The Guidelines Of The American National Standard For Specifications For The Chromaticity Of Solid State Lighting (SSL) Products, ANSI C78.377-2017

DIMENSION

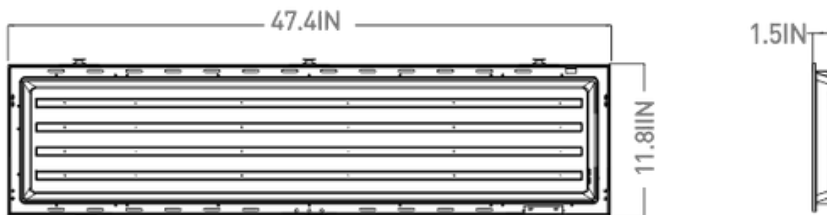
2x4FT : L47.4IN x W23.6IN x H1.5IN



2x2FT : L23.6IN x W23.6IN x H1.5IN



1x4FT : L47.4IN x W11.8IN x H1.5IN



SPECIFICATION

Input Voltage	Rated Wattage	Lens	Color	Rated Lumen @3000 K	Rated Efficacy	Viewing Angle	Rated Lifetime	Replacing
120-347VAC / 120-277VAC 0- 10V Isolated Dimmable	27	Frosted	30 K 35 K 40 K 50 K	3375	125	120°	L70 > 50000hrs	60W - 200W Incandescent
	24			3000	125	120°	L70 > 50000hrs	
	20			2500	125	120°	L70 > 50000hrs	
	16			2000	125	120°	L70 > 50000hrs	
120-347VAC / 120-277VAC 0- 10V Isolated Dimmable	40	Frosted	30 K 35 K 40 K 50 K	5000	125	120°	L70 > 50000hrs	60W - 200W Incandescent
	34			4250	125	120°	L70 > 50000hrs	
	26			3250	125	120°	L70 > 50000hrs	
	20			2500	125	120°	L70 > 50000hrs	
120-347VAC / 120-277VAC 0- 10V Isolated Dimmable	27	Frosted	30 K 35 K 40 K 50 K	3375	125	120°	L70 > 50000hrs	60W - 200W Incandescent
	24			3000	125	120°	L70 > 50000hrs	
	20			2500	125	120°	L70 > 50000hrs	
	16			2000	125	120°	L70 > 50000hrs	

PACKAGE

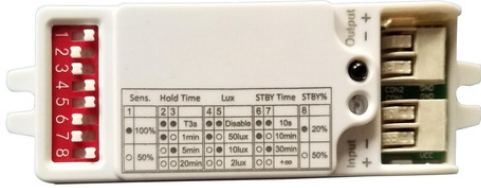
THE PACKAGE KIT INCLUDE

Size	L	W	H	CBM (m ³)	QTY	TOTAL	Net Weight/Ctn		Gross Weight/Ctn	
					/CTN	CARTON	lbs	kg	lbs	kg
1x4	1260	270	390	0.13	4		29.63	13.44	33.2	15.06
2x2	660	345	660	0.15	4		26.63	12.08	30.48	13.83
2x4	1260	345	660	0.27	4		43.82	19.88	47.68	21.63

Size	20GP		40GP		40HQ	
	With Pallet	Without Pallet	With Pallet	Without Pallet	With Pallet	Without Pallet
1x4	640	768	1728	1728	1728	1728
2x2	864	864	1836	1836	1836	1836
2x4	342	342	976	976	976	976

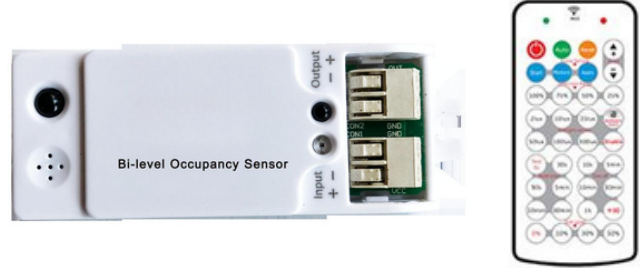
OCCUPANCY SENSOR

NS101



Dip Switch Motion Sensor

NS111



Remote Control Motion Sensor

Remote Controller

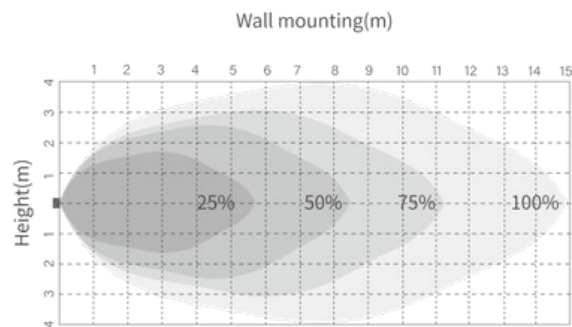
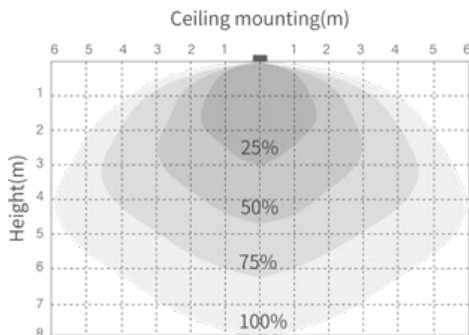
AVAILABLE SETTINGS

- Sensitivity: 100%, 75%, 50%, 25% Daylight
- Sensor: 2lux, 10lux, 25lux, 50lux, 100lux, 300lux, Disable
- Hold Time: 30s, 90s, 5min, 10min, 30min
- Twilight Time: 10s, 5min, 10min, 30min, 1h, Infinite
- Twilight Level: 0%, 10%, 30%, 50%

FACTORY DEFAULT SETTINGS

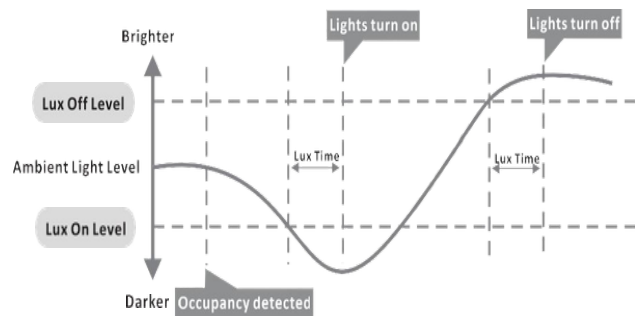
- Sensitivity: 100% Daylight Sensor:
- Disable Hold Time: 5min Twilight
- Time: Infinite (Never Turn off)
- Twilight Level: 30%

DETECTION PATTERN



DUAL PD TECHNOLOGY

Utilizing the Dual-PD technology, these sensors can distinguish the daylight and artificial light even the sensor is placed inside of the fixture, it will automatically turn on/off the light even there is no movement detected, while the sensor learns the ambient light is darker/brighter than its daylight lux setting.



OCCUPANCY SENSOR

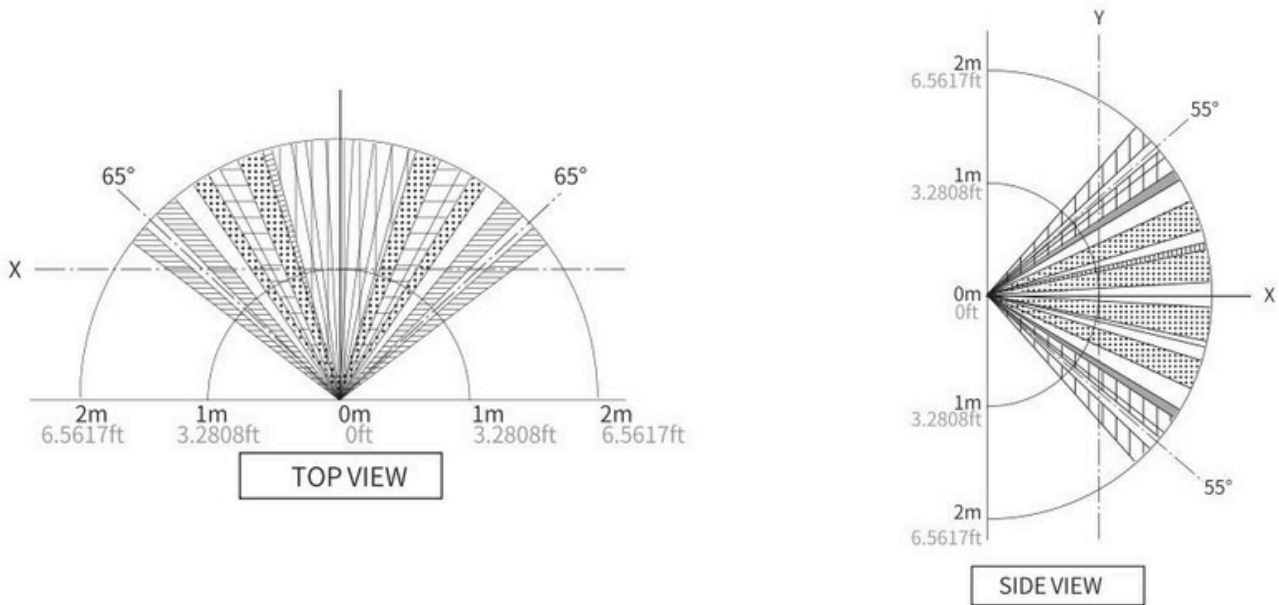
PIR SENSOR / PIR SENSOR WITH DAYLIGHT HARVESTING

NPIR131/131DH



Features Input: 12-24VDC, >8ma 0-10V DC
Output Signal Memory Function With One Button Commissioning. IR Remote Controller Commissioning. Detecton Range: Max. 6m In Diameter. Mounting Height: 3-4m. Optional Daylight Harvesting

Detection Pattern



OCCUPANCY SENSOR

PIR SENSOR / PIR SENSOR WITH DAYLIGHT HARVESTING

NB135



Features

Bluetooth® Mesh Compliant.

Bluetooth Operation Frequency 2.4ghz - 2.483 Ghz

Bluetooth Transmission Power: 4dbm Bluetooth

Transmission Range: 10-30m (Typical Indoor)

Bluetooth Protocol: Bluetooth® Mesh

Input Voltage: 12 - 24v Dc.

Input Current: $\geq 20\text{ma}$

0~10v Dimming, Task Tuning (10-100%)

Ota Firmware Upgrade.

Individual/group Addressing

Decentralized Control (No Single Point Of Failure)

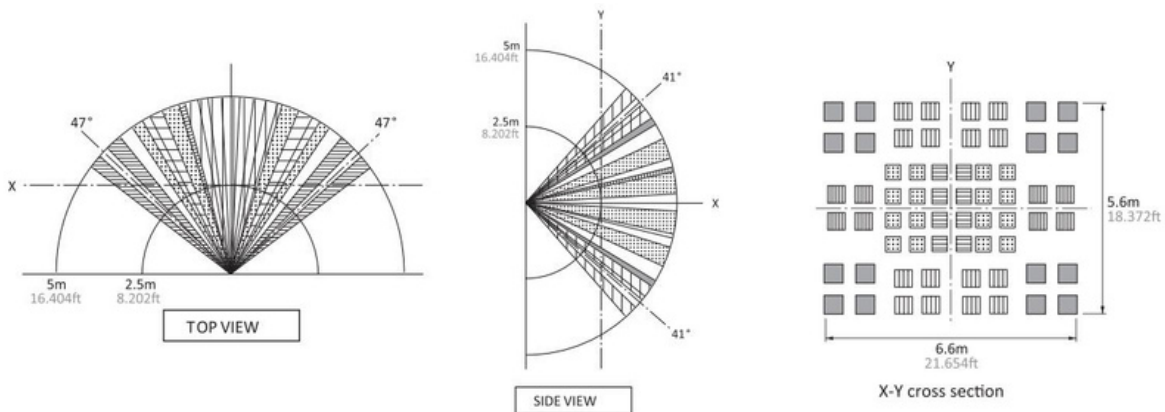
Super Compact, Flexible To Be Integrated Into Any Suitable Fixtures.

Operation Temperature: $-10^{\circ}\text{C}\sim +50^{\circ}\text{C}$.

Rohs Compliant.

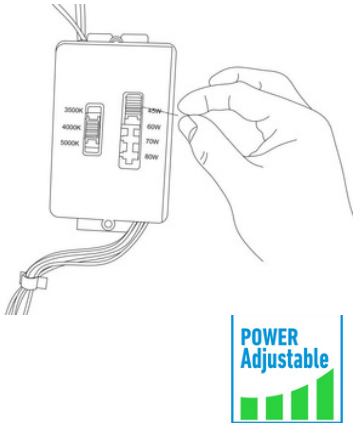
Ip Rating: Ip20.

Detetion Pattern

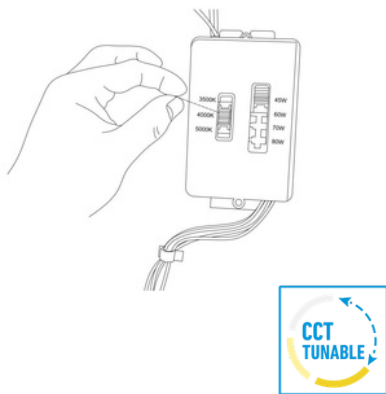


FIELD ADJUSTABLE

HOW TO CHANGE THE WATTAGE AND CCT IN THIS FIXTURE



Power Adjustable Slide Switch Position				
Size/Position	0	1	2	3
1x4	27W	24W	20W	16W
2x2	27W	24W	20W	16W
4FT	40W	30W	25W	20W



CCT Tunable Slide Switch Position	
Position	CCT
0	3000K
1	3500K
2	4000K
3	5000K