

LED LINEAR STAIRWELL LED LINEAR STRIP

DESCRIPTION

- 4" Linear Strip Light/stairwell Fixture Is A Compact Diffused Light For Commercial, Retail And Residential Purpose.

2FT 4FT 8FT

- Integratl With New Trend Of Field-adjustable

Functions

Provide Our Customers Greater Flexibilities On Wattages

- And Color Temperatures.

Ideal For Stairwell, Passageway And General Lighting Etc



FEATURES

- UP TO 125LM/W, CRI:>80
- CLASS P Programmable LED Driver, 4 Step Power Adujustable,
- CRI>80, CCT Tunable, 3000K, 3500K, 4000K And 5000K
- Minimize stock, 1 SKU Can Cover Max. Of 16 Models.
- An Auxiliary To Connect Low Voltage Sensor/BLE or Other IOT Network.
- Various Lens Option: Clear, Frosted,
- 10-100% 0-10V Dimmable, Flicker Free, Dim To Off.
- Built-in Motion Sensor Options.
- Built-in Emergency Driver Option.
- L70>50,000hrs, 5 Year Warranty.

HOUSING

- 22 Gauge White Powder Painted Steel 88%
- Transmission Rate Frosted PS Diffuser

MOUNTING

- Suspended Mouting
- Wall/Surface Mouting

CERTIFICATE

- ETL Listed: UL 1598 Suitable For Damp
- Locations, IESNA LM79 & LM-80 Testing: LED Luminaires have been tasted by an independent Laboratory In Accordance With IESNA LM-79 and LM-80.
- DLC5.1 Standard Listed: Linear Ambinent
- DLC5.1 Premium Listed: Stairwell

DIMENSION

2FT: L24IN x W4IN x H3IN



24IN

4FT: L48IN x W4IN x H3IN



48IN

4FT: L96IN x W4IN x H3IN



96IN

SPECIFICATION

DLC	Input Voltage	Wattage	Lens	CRI/CCT	Rated Lumen @ 50K	Rated Efficacy @ 50K	Viewing Angle	Replacing
YES	100-277VAC or 100-347VAC	30	Frosted/Clear	Ra>80, 30K 35K 40K 50K	3970	130	120°	4 x T8 2FT 17W 3 x T5HO 2FT 24W
YES		20	Frosted/Clear		2700	135	120°	4 x T8 2FT 17W 3 x T5HO 2FT 24W
YES		15	Frosted/Clear		2025	135	120°	3 x T8 2FT 17W 2 x T5HO 2FT 24W
YES		10	Frosted/Clear		1320	130	120°	2 x T8 2FT 17W 1x T5HO 2FT 24W
YES	100-277VAC or 100-347VAC	40	Frosted/Clear	Ra>80, 30K 35K 40K 50K	5260	131.5	120°	2 X T5HO 4FT 54W 3 X T8 4FT 32W
YES		25	Frosted/Clear		3400	136	120°	2 X T5HO 4FT 54W 3 X T8 4FT 32W
YES		18	Frosted/Clear		2450	136	120°	1 X T5HO 4FT 54W 2 X T8 4FT 32W
YES		12	Frosted/Clear		1600	132	120°	1 X T8 4FT 32W
YES	100-277VAC or 100-347VAC	80	Frosted/Clear	Ra>80, 30K 35K 40K 50K	10520	131.5	120°	175W HID 4XT5HO 4FT 54W 6 X T8 4FT 32W
YES		70	Frosted/Clear		9520	136	120°	175W HID 4XT5HO 4FT 54W 6 X T8 4FT 32W
YES		60	Frosted/Clear		8160	136	120°	175W HID 4XT5HO 4FT 54W 6 X T8 4FT 32W
YES		45	Frosted/Clear		5940	132	120°	175W HID 4XT5HO 4FT 54W 6 X T8 4FT 32W

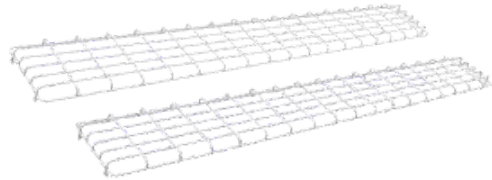
Remark: No Power Adjustable and Color Tunable version are also available, please contact us @sales@noonlighting.com for more details.

ACCESSORIES

SUSPENSION KIT, 2PCS/FIXTURE



WIRE GUARD



VANDALL RESISTANT END CAP



OCCUPANCY SENSOR

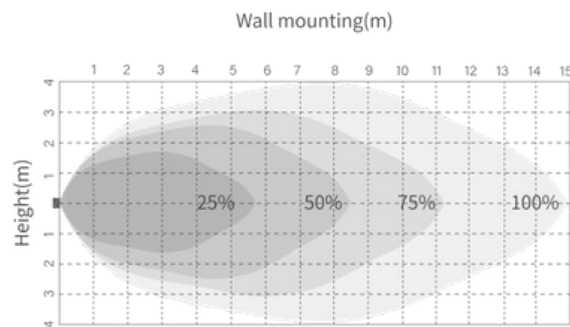
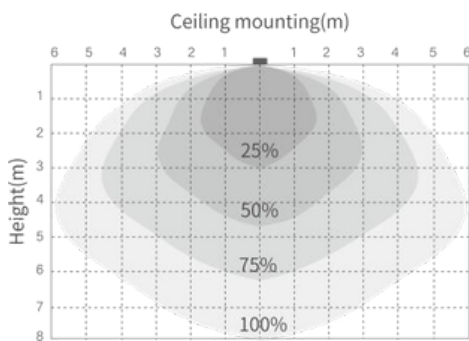


Microwave
Motion
Sensor



Remote Controller

DETECTION PATTERN



SPECIFICATION

- Dual PD Technology: Can Identify Daylight And Artificial Light.
- Input Voltage: 12VDC Output: 0-10V, 25mA
- Sinking
- Current
- Mounting Height: Max. 40ft. Detection Range: 30ft @ 40ft
- Height In Diameter
- IR Remote Commissioning: Easy Setting Via Remote Controller
- Photocell Available

DEFAULT SETTING/SETTING

- Sensitivity: 100% / 25%, 50%, 75%, 100% Daylight
- Sensor: Disable / Ambient Learn, 10lux, 30lux, 50lux, 100lux, 300lux, 500lux, Disable
- Hold Time: 5min / 10s, 1min, 5min, 5min, 10min, 15min, 20min, 30min, 60min
- Twilight Time: Never Turn Off / 1min, 30min, 1h, Never
- Tun
- Off
- Twilight Level: 20% / off, 10%, 20%, 50%

EMERGENCY PACK

SPECIFICATION

Listed For Field Installation-UL924 & CSA C22.2

NO. 141 Input: 120-277VAC/347VAC 50/60Hz

Output: 25-50VDC, 15 or 30W Illumination Time:

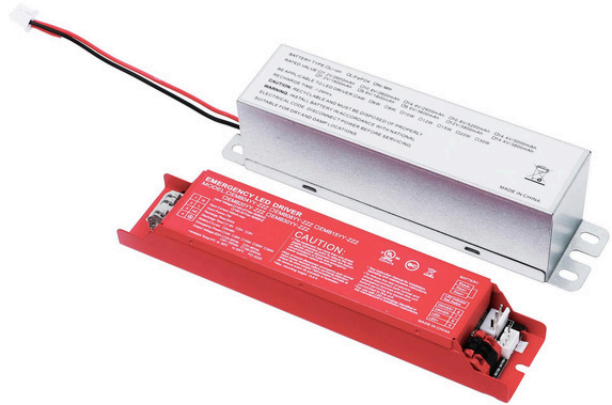
90min Battery Type:Li-ion/Ni-MH Battery

Recharge Time: 24Hrs Surge Protection: 3KV

Protection:

- Input over-current Protection
- (Fuse) Output Over-voltage
- Protection Output Low Voltage Protection
- Output Short Circuit Protection

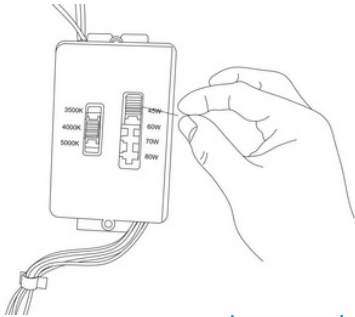
Working Temp.: 10°C to 50°C



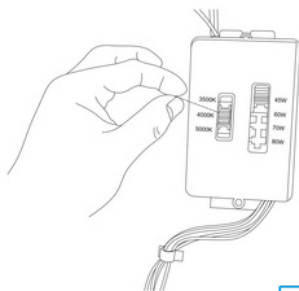
EMERGENCY PACK

FIELD ADJUSTALBE

HOW TO CHANGE THE WATTAGE AND CCT IN THIS FIXTURE



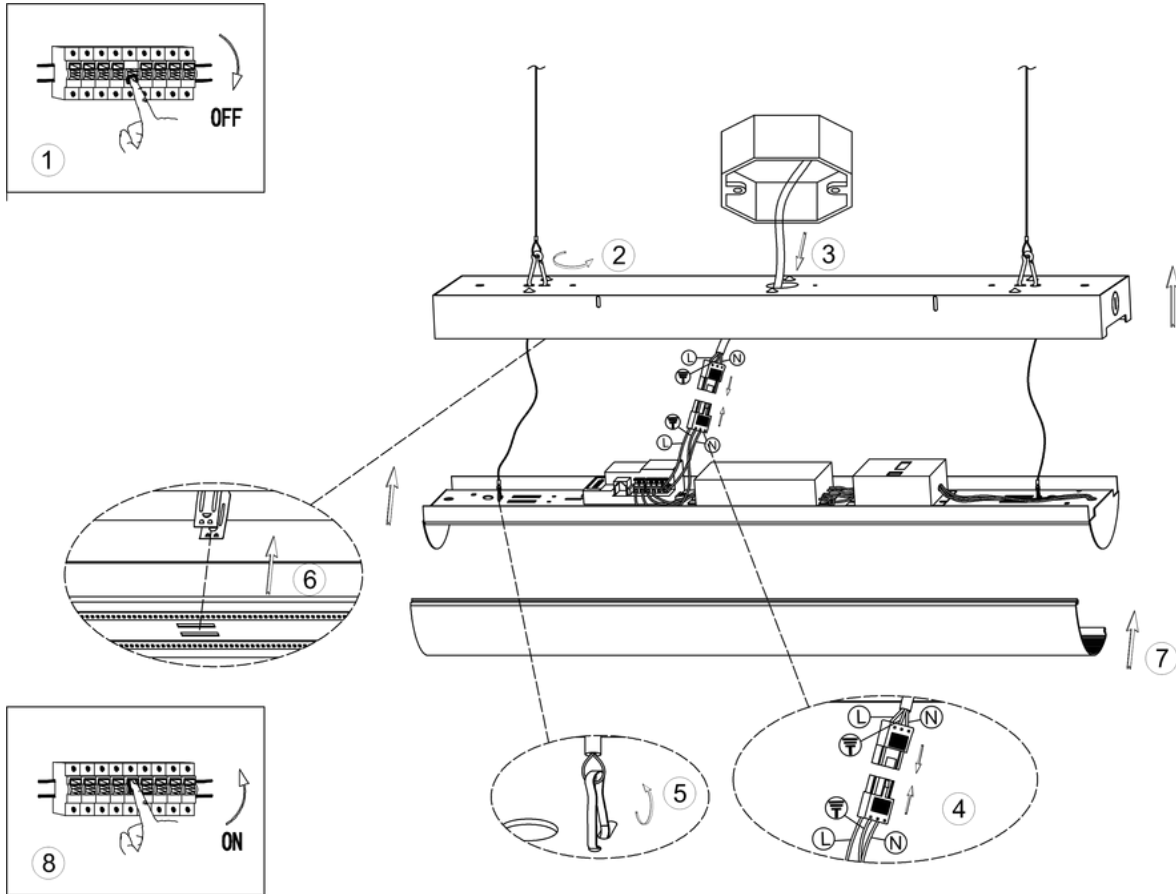
Power Adjustable Slide Switch Position				
Size/Position	0	1	2	3
2FT	30W	20W	15W	10W
4FT	40W	25W	18W	12W
8FT	80W	70W	60W	45W



CCT Tunable Slide Switch Position	
Position	CCT
0	3000K
1	3500K
2	4000K
3	5000K

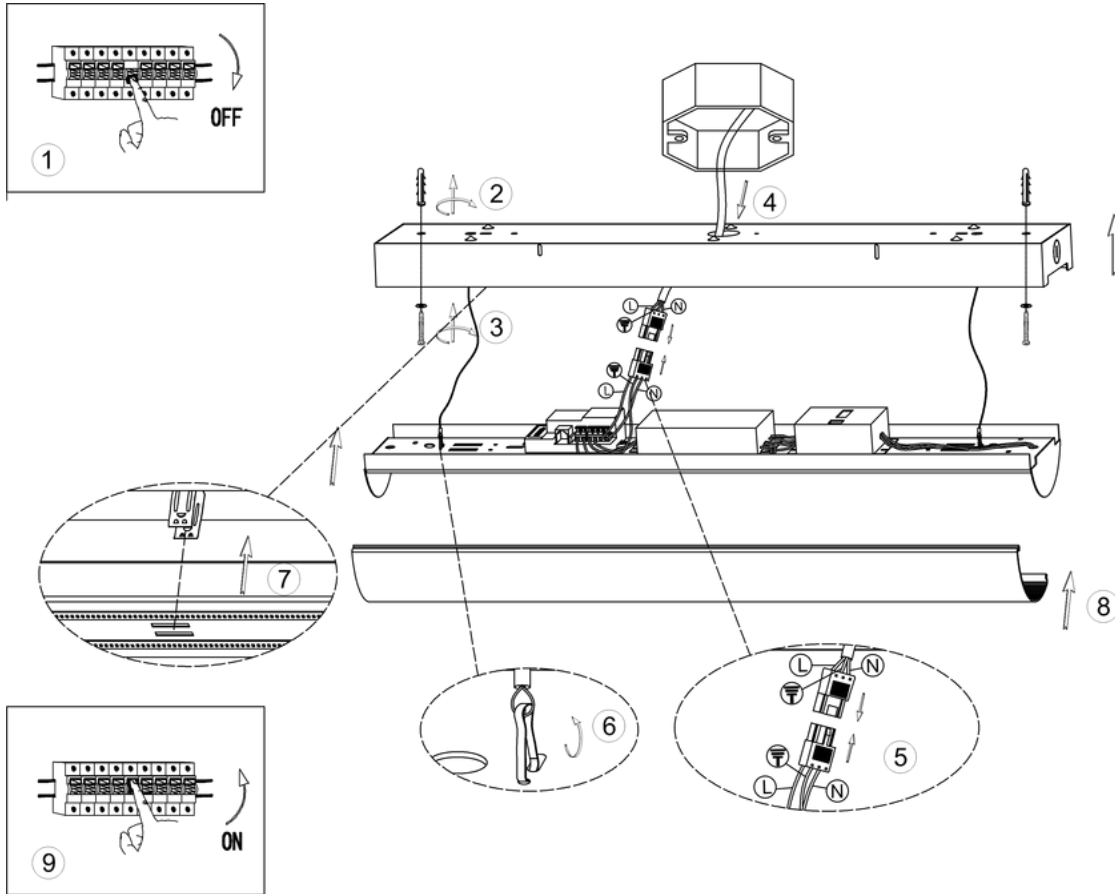
LINEAR HIGHBAY SERIES—PENDANT MOUNTING

INSTALLATION AND USERS' GUIDE



LINEAR HIGHBAY SERIES—SURFACE MOUNTING

INSTALLATION AND USERS' GUIDE



FIELD AJUSTABLE

CHANGE

2021-5-20: Update with Instructions

2020-6-2: Update with Plugable PIR
Sensor

2020-6-2: Update with Accessories

2020-6-2: Update with packing
informatoin