

2.5" LINEAR LED STRIP LIGHT

DESCRIPTION

2.5" linear Led Strip Light Is Compact diffused Led Strip Light For Commercial, retail And Residential Purpose. Integral Of New Trend Of Field-adjustable Functions Provide Our Customers Greater flexibilities On Wattages And Color Temperatures.

Ideal For Linear Ambient Lighting, General lighting Etc.



FEATURES

- Up To 130lm/w @4000k.
- Class P Programmable Led Driver, Power Adjustable.
- CRI > 80, cct Tunable, Available In 3000k, 3500k, 4000k and 5000k, According To Ansl Standard, CRI > 90 Is An option
- Minimize Stock, 1 Sku Can Cover Max. Of 12 Models
- An Auxiliary Output To Connect To Low Voltage
- Motion sensor / zigbee / bluetooth Or Other Lot Network
- 5-100% 0-10v Dimmable, Flicker Free
- Low Voltage / mains Voltage Occupancy Sensor
- Emergency Battery Pack
- L70 > 50,000hrs, 5 Years Warranty

HOUSING

- 22 Gauge White Powder Painted Steel
- 88% Transmission Rate Frosted Pc Diffuser

MOUNTING

- Surface Mounted, suspended Mounted

CERTIFICATE

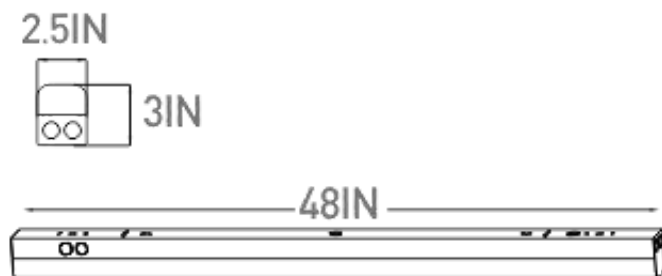
- UL Listed: UL 1598 Suitable For Damp Locations, Type IC IESNA LM79 & LM-80 Testing LED
- Luminaires Have Been Tested By An Independent Laboratory In Accordance With IESNA LM-79 and LM-80.
- DLC: Linear Ambient, DLC5.1 Standard

DIMENSION

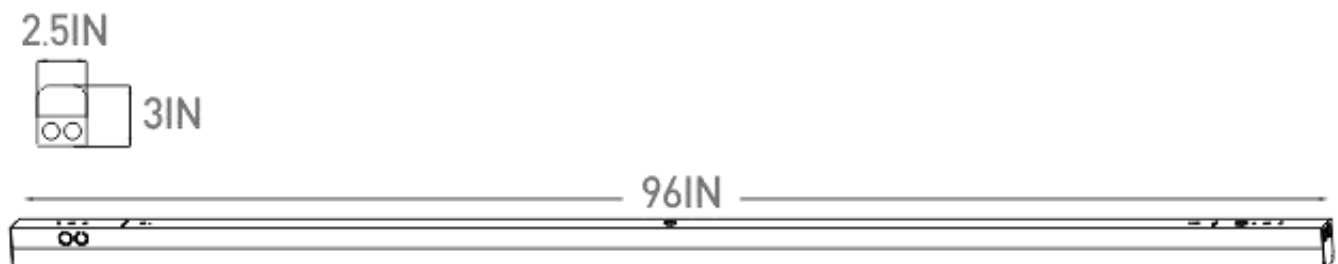
4FT: L24IN x W2.5IN x H3IN



4FT: L48IN x W2.5IN x H3IN



8FT: L96IN x W2.5IN x H3IN



SPECIFICATION

ETL	Input Voltage	Default / Max Wattage	Lens	CCT	Rated Lumen	Rated Efficacy	Viewing Angle	Rated Lifetime	Replacing
YES	120-277VAC 100-347VAC	40W / Max. 40W	Frosted Lens	3000K	5170LM	130LM/W	240°	L90> 36000hrs	3 x T8 4FT 32W 2 x T5HO 4FT 54W
YES				4000K	5300LM	135LM/W			
YES				5000K	5400LM	140LM/W			
YES	120-277VAC 100-347VAC	30W / Max. 40W	Frosted Lens	3000K	4000LM	130LM/W	240°	L90> 36000hrs	3 x T8 4FT 32W 2 x T5HO 4FT 54W
YES				4000K	4125LM	135LM/W			
YES				5000K	4250LM	140LM/W			
YES	120-277VAC 100-347VAC	24W / Max. 40W	Frosted Lens	3000K	3200LM	130LM/W	240°	L90> 36000hrs	2 x T8 4FT 32W 1 x T5HO 4FT 54W
YES				4000K	3300LM	135LM/W			
YES				5000K	3360LM	140LM/W			
YES	120-277VAC 100-347VAC	15W / Max. 40W	Frosted Lens	3000K	1950LM	130LM/W	240°	L90> 36000hrs	175W HID 6 X T8 4FT 32W 4 x T5HO 4FT 54W
YES				4000K	2025LM	135LM/W			
YES				5000K	2100LM	140LM/W			
YES	120-277VAC 100-347VAC	80W / Max. 80W	Frosted Lens	3000K	10500LM	130LM/W	240°	L90> 36000hrs	175W 4XT5HO 4FT 54W 6 X T8 4FT 32W
YES				4000K	10600LM	134LMW			
YES				5000K	10800LM	136LM/W			
YES	120-277VAC 100-347VAC	70W / Max. 80W	Frosted Lens	3000K	9100LM	130LM/W	240°	L90> 36000hrs	1 x T5HO 4FT 54W 2 x T8 4FT 32
YES				4000K	9200LM	134LMW			
YES				5000K	9400LM	136LM/W			
YES	120-277VAC 100-347VAC	60W / Max. 80W	Frosted Lens	3000K	7900LM	130LM/W	240°	L90> 36000hrs	1 x T5HO 4FT 54W 2 x T8 4FT 32W
YES				4000K	8100LM	134LMW			
YES				5000K	9300LM	136LM/W			
YES	120-277VAC 100-347VAC	45W / Max. 80W	Frosted Lens	3000K	6000LM	130LM/W	240°	L90> 36000hrs	2 x T8 4FT 32W 1 x T5HO 4FT 54W
YES				4000K	6100LM	134LMW			
YES				5000K	6300LM	136LM/W			

Power Adjustable, Color Tuning, 4FT Linear LED STRIP Fixture ① Wattages can be preset to any wattages lower than its max power. 4 wattages are available. Adjustable on fields. ② Color tuning is an optional function. 3 CCTs are available. Tunable on fields.

Remark: No Power Adjustable and Color Tunable version are also available, please contact us @sales@noonlighting.com for more details.

PACKAGE

THE PACKAGE KIT INCLUDE

Size	L	W	H	CBM	QTY	TOTAL	Net Weight/Ctn		Gross Weight/Ctn	
					/CTN	CARTON	lbs	kg	lbs	kg
4	1280	125	240		6	930	27.77	12.6	34.74	15.76
8	2500	283	250		4	468	37.03	16.8	46.32	21.01

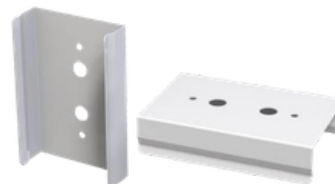
Size	20GP		40GP		40HQ	
	With Pallet	Without Pallet	With Pallet	Without Pallet	With Pallet	Without Pallet
4	1188	1254	2484	2700	2760	3252
8	NA	576	NA	1152	NA	1280

ACCESSORIES

SUSPENSION KIT, 2PCS/FIXTURE



SURFACE MOUNTED BRACKET, 2PCS/FIXTURE



EMERGENCY BACKUP, 1PCS/FIXTURE



MOTION SENSOR, 1PCS/FIXTURE



OCCUPANCY SENSOR

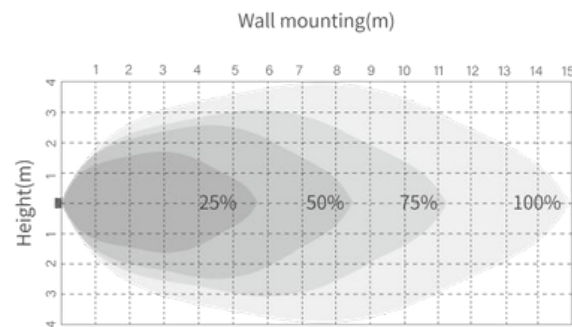
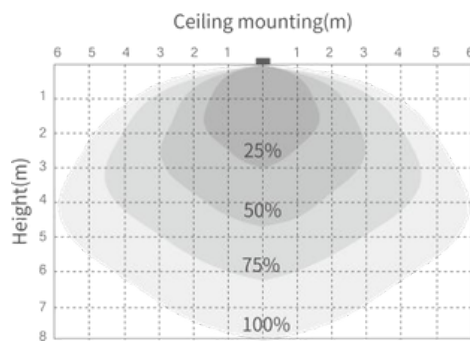


Microwave
Motion
Sensor



Remote Controller

DETECTION PATTERN



SPECIFICATION

- 5.8Ghz C-Band Microwave.
- Input Voltage: 12 - 24V DC.
- Input Current: ≥ 25 ma.
- *1~10V DC. Output Signal.
- Super Compact, Flexible To Be Integrated Into Any Suitable Fixtures.
- Detection Range Up To 12min Diameter.
- Mounting Height: 3~6m.
- Operation Temperature: $-20^{\circ}\text{C} \sim +70^{\circ}\text{C}$.

DEFAULT SETTING/SETTING

- Default Setting/Setting
- Sensitivity: 100% / 25%, 50%, 75%, 100%
- Daylight Sensor: Disable / 2lux, 10lux, 25lux, 50lux, 100lux, 300lux, Disable, Ambient Learn
- Hold Time: 5min / 3s, 30s, 90s, 5min, 10min, 30min
- Twilgith Time: Infinite / 10s, 5min, 10min, 30min, 1h, Infinite

EMERGENCY PACK

SPECIFICATION

Input Voltage:100~277Vac/347Vac
50/60Hz , Input Current:100mA max.

Input Power Rating:7W max.

Output Voltage:25V~230Vdc

Emergency Power:30W max.

Recharge Time:24Hrs

Discharge Time: 1.5H ≥

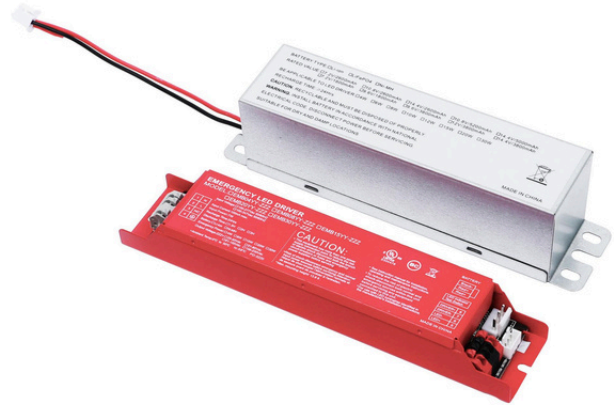
Warranty:5 Years

Ambient Temp:Li-ion:32~122°F(0~50°C)

Ni-MH: 41~149°F(5~65°C)

Weight:0.908 lbs(0.41kg)

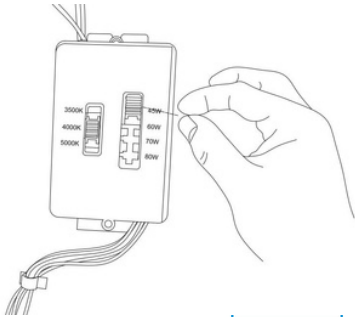
Surge Protection:Line-Neutral 3KV



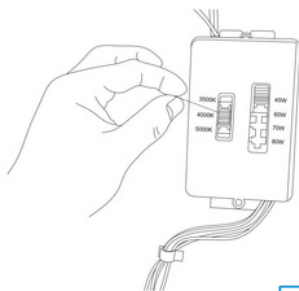
EMERGENCY PACK

FIELD ADJUSTABLE

How To Change The Wattage & Cct In This Fixture



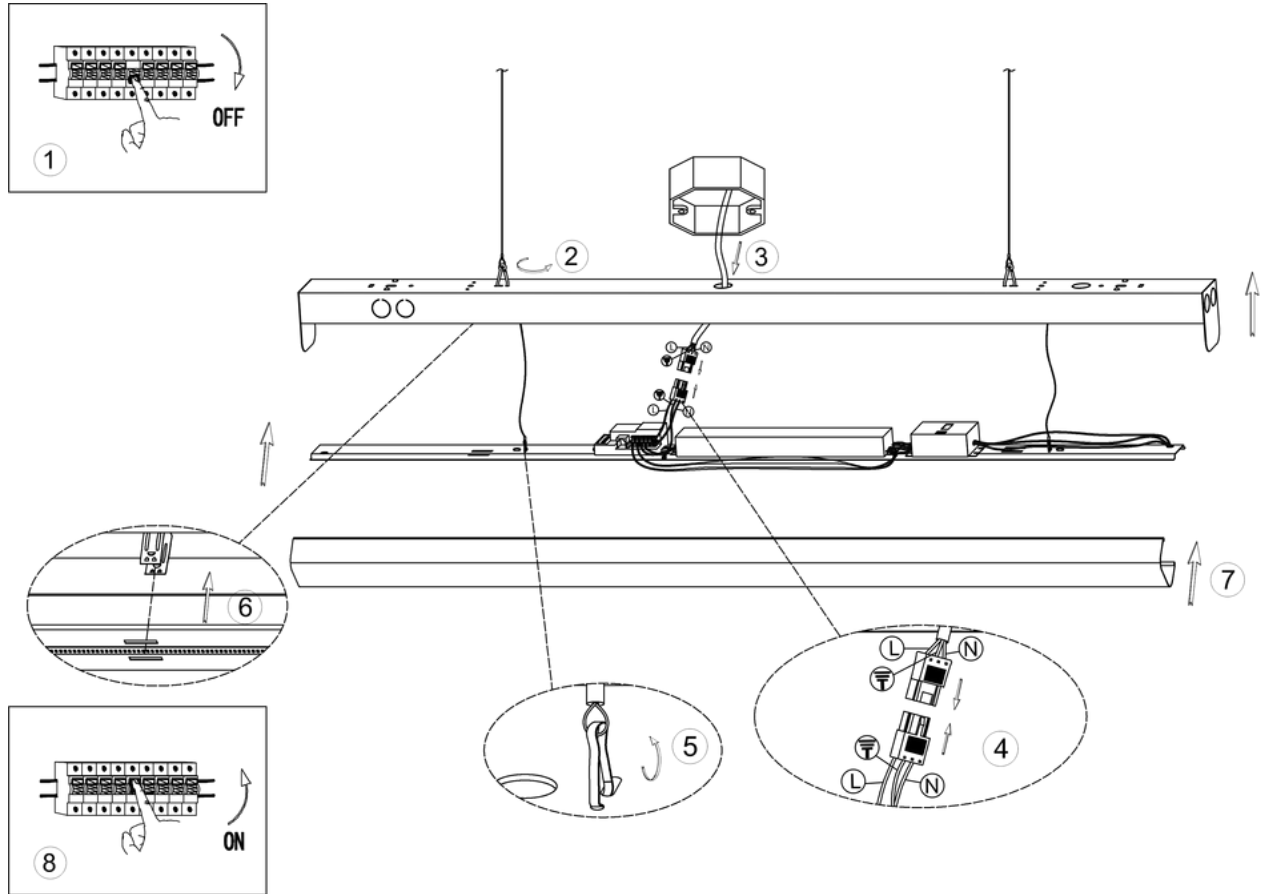
Power Adjustable Slide Switch Position				
Size/Position	0	1	2	3
4FT	15W	25W	30W	40W
8FT	45W	60W	70W	80W



CCT Tunable Slide Switch Position	
Position	CCT
0	3000K
1	3500K
2	4000K
3	5000K

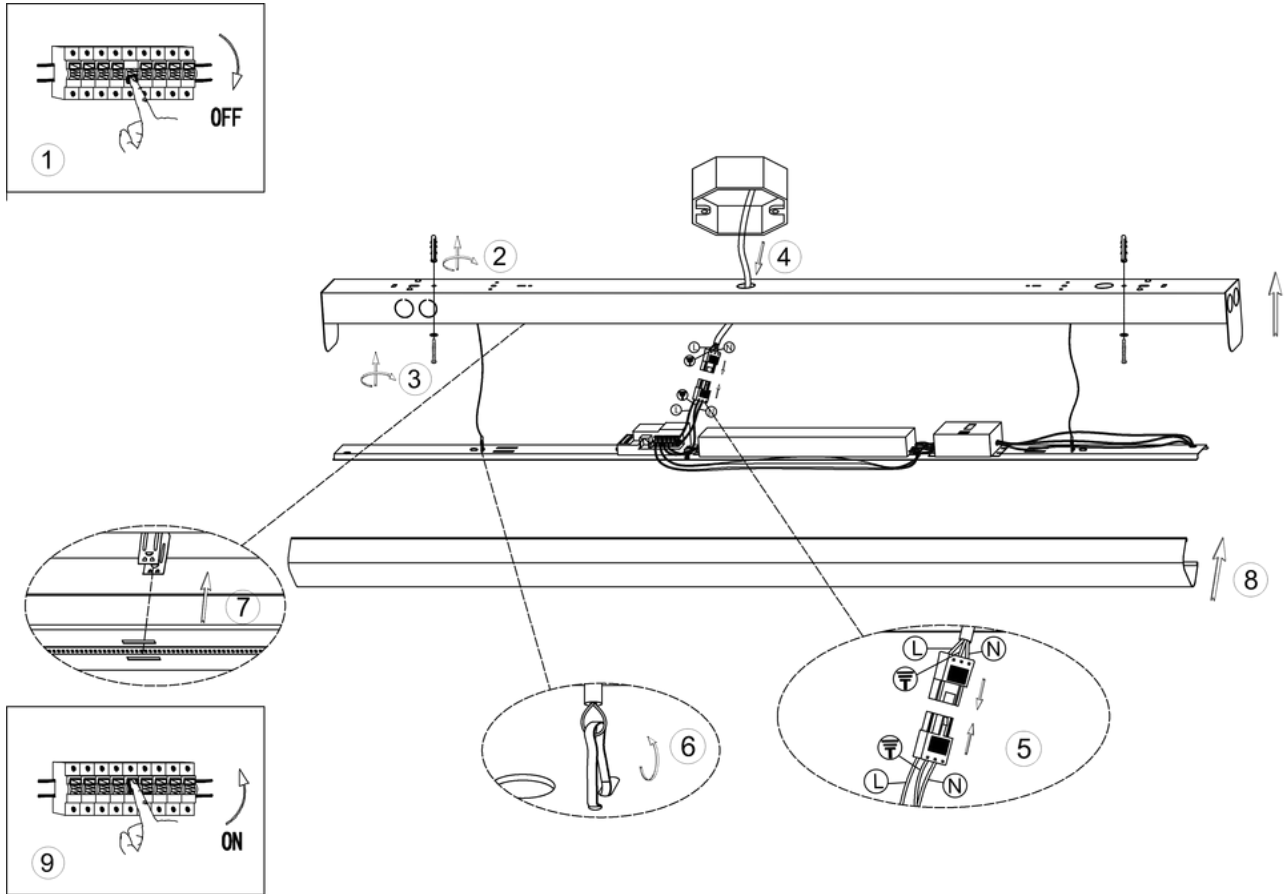
LINEAR HIGHBAY SERIES-PENDANT MOUNTING

INSTALLATION AND USERS' GUIDE



LINEAR HIGHBAY SERIES—SURFACE MOUNTING

INSTALLATION AND USERS' GUIDE



FIELD AJUSTABLE

CHANGE

2021-5-20: Update with Instructions

2020-6-2: Update with Plugable PIR

Sensor 2020-6-2: Update with

Accessories 2020-6-2: Update with

packing informatoin