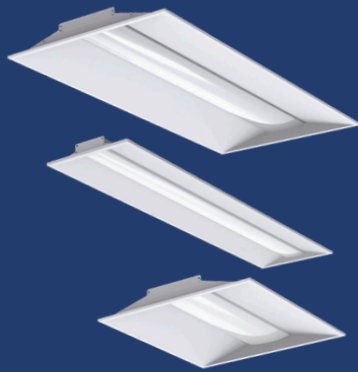


# CENTRAL BASKET TROFFER LED FIXTURE

2\*4FT

1\*4FT

2\*2FT



2\*4FT

1\*4FT

2\*2FT



## FEATURES

- UP TO 125LM/W
- CLASS P Programmable LED Driver, 4 Step Power Adujustable,
- CRI>80, CCT Tunable, 3000K, 3500K, 4000K and 5000K
- Minimize Stock, 1 SKU Can Cover Max. Of 16 Models.
- An Auxiliary To Connect Low Voltage Sensor / BLE Or Other IOT Network.
- Super Thin Version
- 5-100% 0-10V Dimmable, Flicker Free, Dim To Off.
- Built-in PIR Sensor And Motion Sensor Options.
- Built-in Emergency Driver Option.
- L70 > 50,000hrs, 5 year Warranty

## HOUSING

- 0.6mm Cold Rolled
- Steel Lotte PCLens

## APPLICATION

- Schools, Offices, Conference
- Room, Hospitality Etc.

## INSTALLATION

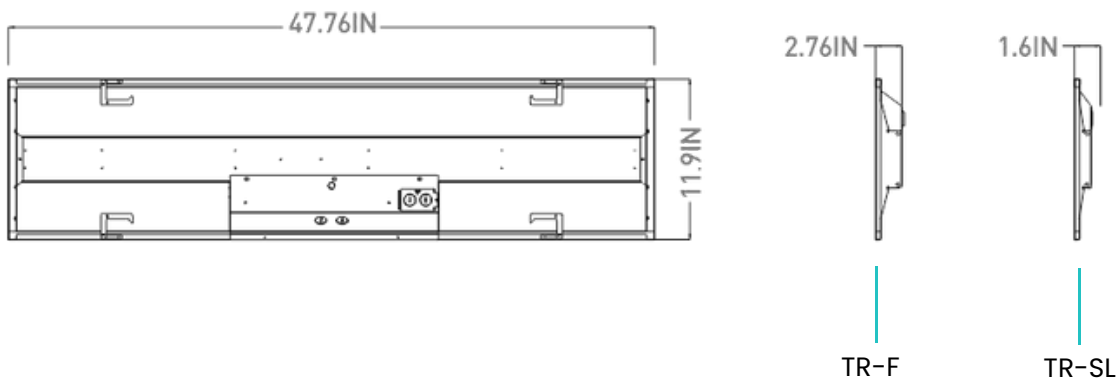
- Recessed Mounted

## CERTIFICATE

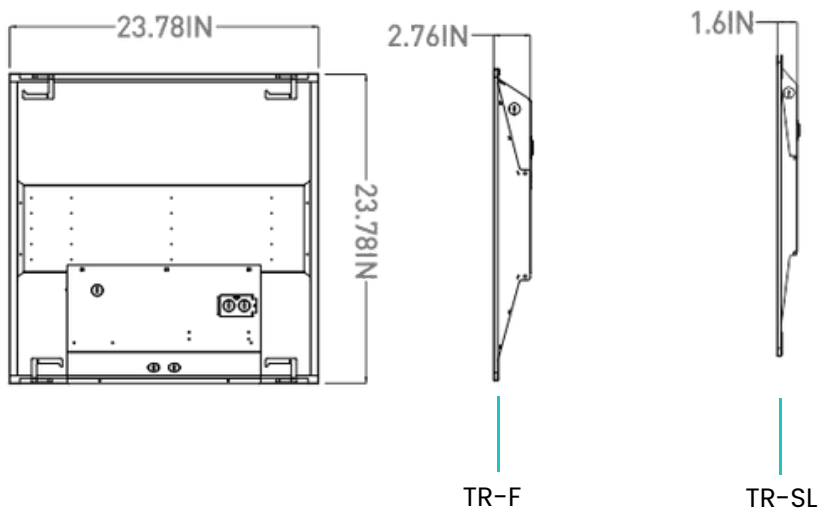
- UL Listed: UL 1598 Suitable For Damp Locations, Type IC
- IESNA LM79 & LM-80 Testing: NoonLight LED Luminaires Have Been Tested By An Independent Laboratory In Accordance With IESNA LM-79 and LM-80.
- Color Uniformity: NoonLight ' Range Of Correlated Color Temperature Follows The Guidelines Of The American National Standard For Specifications For The Chromaticity Of Solid State Lighting (SSL) Products, ANSI C78.377-2017

# DIMENSION

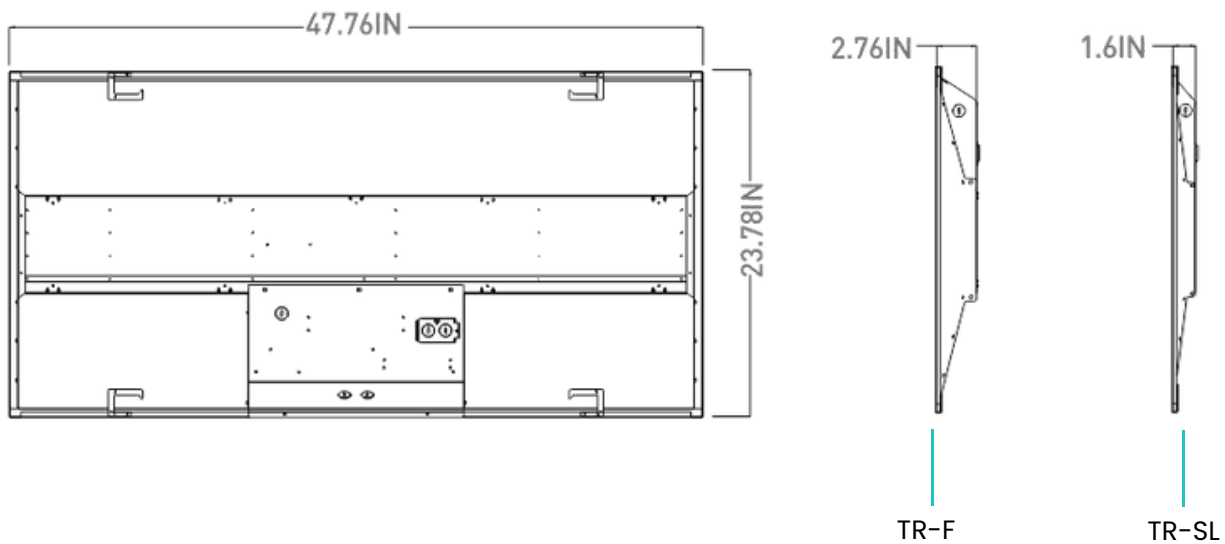
1x4FT : L47.76IN x W11.9IN x H2.76IN/1.6IN



2x2FT : L23.78IN x W23.78IN x H2.76/1.6IN



2x4FT : L47.76IN x W23.78IN x H2.76/1.6IN



# SPECIFICATION

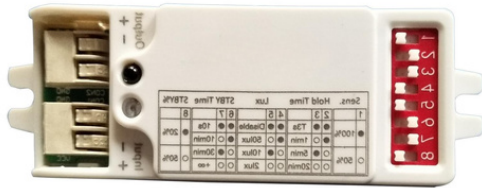
Input Voltage	Rated Wattage (W)	Lens	Color	Rated Lumen @4000K (LM)	Rated Efficacy (LM/W)	Viewing Angle	DLC QPL #
120-347VAC/ 120-277VAC 0- 10V Isolated Dimmable	27	Frosted	30K 35K 40K 50K	3375	125	120°	P9N4MXON (-F) PE28EZIT(-SL)
	24			3000	125	120°	PB1NZL5P(-F) PLOCY5PT(-SL)
	20			2500	125	120°	P804VPXC(-F) PQO0LRXO(-SL)
	16			2000	125	120°	POLD93BT(-F) P6ZJB3G0(-SL)
120-347VAC/ 120-277VAC 0- 10V Isolated Dimmable	40	Frosted	30K 35K 40K 50K	5000	125	120°	S-IG6910
	36			4500	125	120°	S-GILKA2
	30			3750	125	120°	S-D7R218
	25			3125	125	120°	S-DSQ5LJ
120-347VAC/ 120-277VAC 0- 10V Isolated Dimmable	27	Frosted	30K 35K 40K 50K	3375	125	120°	PZ8A7PIH (-F) PRJNWYLW(-SL)
	24			3000	125	120°	PQTRU098(-F) P37ZW9M7T(-SL)
	20			2500	125	120°	PX78MZJ9(-F) PY0HOEIY(-SL)
	16			2000	125	120°	PQ6AGN2K(-F) PQ4KHB0U(-SL)
120-347VAC/ 120-277VAC 0- 10V Isolated Dimmable	40	Frosted	30K 35K 40K 50K	5000	125	120°	S-D5AHTN
	36			4500	125	120°	S-WFO714
	30			3750	125	120°	S-ILZ8RJ
	25			3125	125	120°	S-2D3ZQT

# SPECIFICATION

Input Voltage	Rated Wattage (W)	Lens	Color	Rated Lumen @4000K (LM)	Rated Efficacy (LM/W)	Viewing Angle	DLC QPL #
120-347VAC/ 120-277VAC 0-10V Isolated Dimmable	40	Frosted	30K 35K 40K 50K	5000	125	120°	PG3VYJNV(-F) PTJUP4N3(-SL)
	34			4250	125	120°	PAX5JR5R(-F) PCZPPN45(-SL)
	26			3250	125	120°	POWC10L8(-F) PUI77A2I(-SL)
	20			2500	125	120°	PT0WJ12G(-F) PRR6CDFB(-SL)
120-347VAC/ 120-277VAC 0-10V Isolated Dimmable	50	Frosted	30K 35K 40K 50K	6250	125	120°	S-RNOBIW
	45			5625	125	120°	S-UKJRQG
	40			5000	125	120°	S-IEQKBM
	30			3750	125	120°	S-UP8VYW

# OCCUPANCY SENSOR

NS101



Dip Switch Motion Sensor

NS111



Remote Control Motion Sensor



Remote Controller

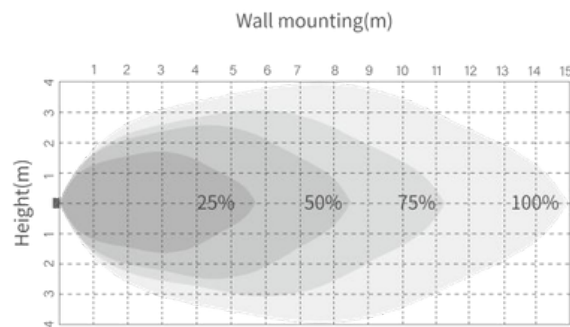
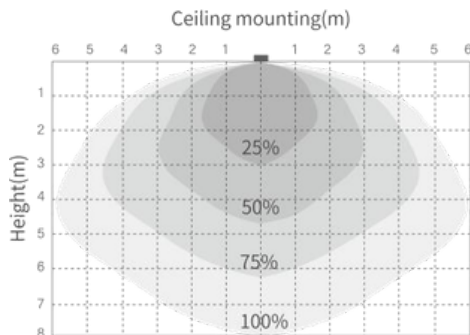
## AVAILABLE SETTINGS

- Sensitivity: 100%, 75%, 50%, 25% Daylight
- Sensor: 2lux, 10lux, 25lux, 50lux, 100lux, 300lux, Disable
- Hold Time: 30s, 90s, 5min, 10min, 30min
- Twilight Time: 10s, 5min, 10min, 30min, 1h, Infinite
- Twilight Level: 0%, 10%, 30%, 50%

## FACTORY DEFAULT SETTINGS

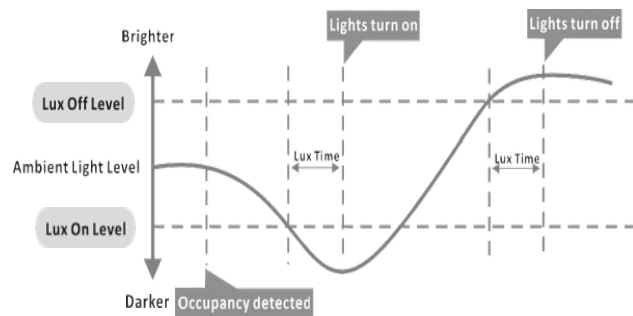
- Sensitivity: 100% Daylight Sensor:
- Disable Hold Time: 5min Twilight
- Time: Infinite ( Never Turn off )
- Twilight Level: 30%

## DETECTION PATTERN



## DUAL PD TECHNOLOGY

Utilizing the Dual-PD technology, these sensors can distinguish the daylight and artificial light even the sensor is placed inside of the fixture, it will automatically turn on/off the light even there is no movement detected, while the sensor learn the ambient light is darker/brighter than its daylight lux setting.



# OCCUPANCY SENSOR

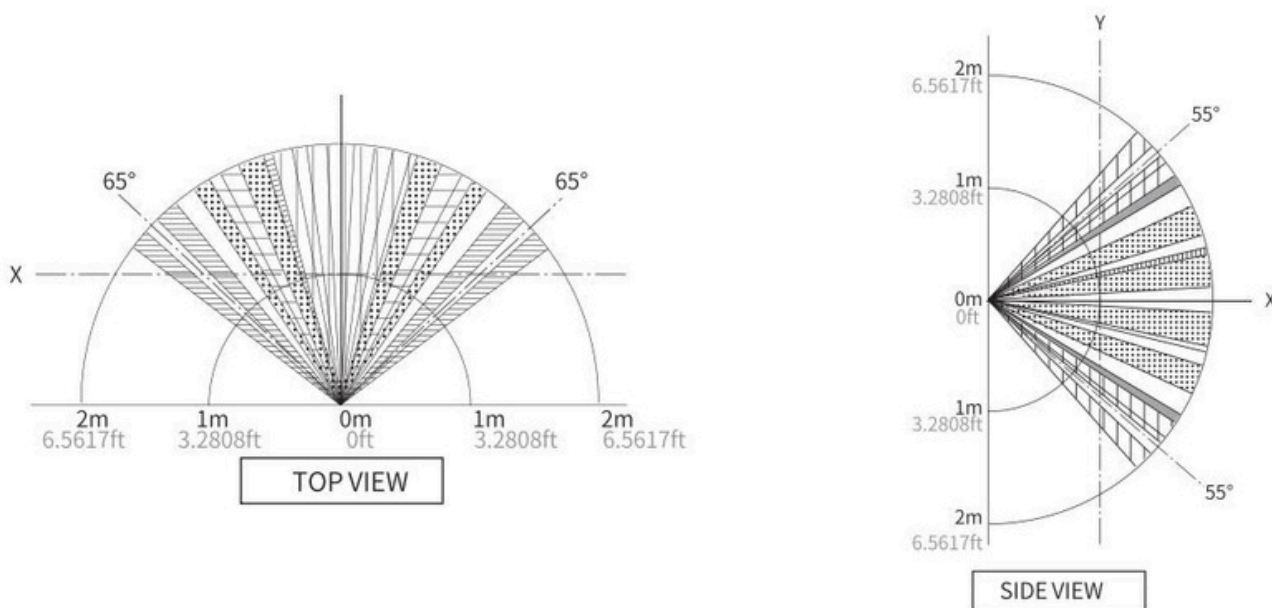
PIR SENSOR / PIR SENSOR WITH DAYLIGHT HARVESTING

NPIR131/131DH



**Features** Input: 12-24VDC, >8ma 0-10V DC  
Output Signal Memory Function With One Button Commissioning. IR Remote Controller Commissioning. Detecton Range: Max. 6m In Diameter. Mounting Height: 3-4m. Optional Daylight Harvesting

Detection Pattern



# EMERGENCY PACK

## SPECIFICATION

---

Listed For Field Installation-UL924 & CSA C22.2

NO. 141 Input: 120-277VAC/347VAC 50/60Hz

Output: 25-50VDC, 40 r8 W Illumination Time:

90min Battery Type:Li-ion/Ni-MH Battery

Recharge Time: 24Hrs Surge Protection: 3KV

Protection:

- Input over-current Protection (Fuse)
- Output Over-voltage Protection
- Output Low Voltage Protection
- Output Short Circuit Protection

Working Temp.: 10°C to 50°C



# OCCUPANCY SENSOR

PIR SENSOR / PIR SENSOR WITH DAYLIGHT HARVESTING

NB135

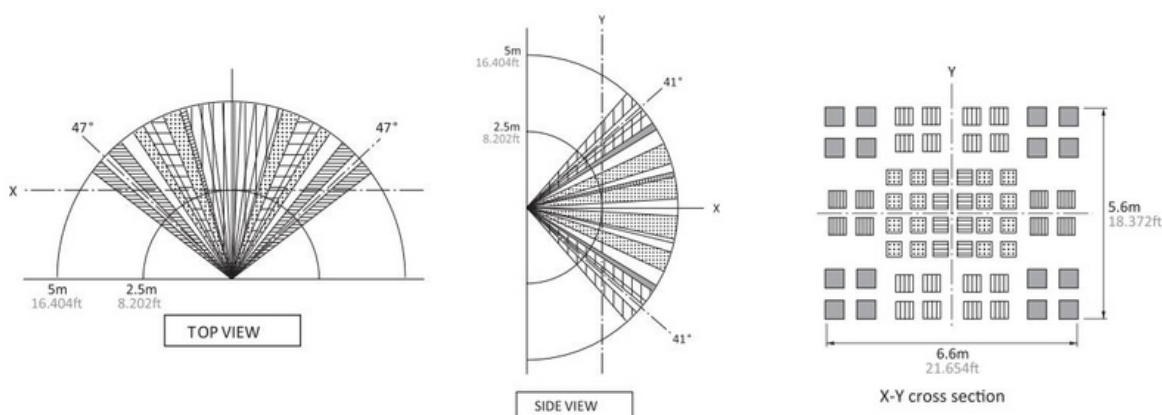


## Features

**Bluetooth<sup>®</sup> Mesh Compliant.**  
Bluetooth Operation Frequency 2.4ghz - 2.483 Ghz  
Bluetooth Transmission Power: 4dbm Bluetooth  
Transmission Range: 10-30m ( Typical Indoor)  
Bluetooth Protocol: **Bluetooth<sup>®</sup> Mesh**  
Input Voltage: 12 - 24v Dc.  
Input Current:  $\geq 20\text{ma}$   
0~10v Dimming, Task Tuning (10-100%)

Ota Firmware Upgrade.  
Individual/group Addressing  
Decentralized Control (No Single Point Of Failure)  
Super Compact, Flexible To Be Integrated Into Any Suitable Fixtures.  
Operation Temperature:  $-10^{\circ}\text{C}\sim +50^{\circ}\text{C}$ .  
Rohs Compliant.  
Ip Rating: Ip20.

## Detetion Pattern



# INSTRUCTION

## Central Basket LED Troffer

### INSTALLATION AND USERS' GUIDE

#### WARNING

- Risk of fire. Turn off power before installation. Risk of electronic shock. Install
- only by certified electrician with gloves. To be used in indoor dry and damp
- location only. If the luminaire exhibits undesirable operation (buzzing,
- flickering, not working etc.) immediately turn off power, remove luminaire
- and contact manufacturer. Do not make mass installation before testing.
- 



#### INSTRUCTION FOR RECESSED MOUNTING

1. Disconnect or turn off power before installation, See Step ①. 2. Put the new volumetric troffer fixture onto the T grid, See Step ②. 3. Make the electrical connection to the fixture in accordance with local electrical code. Make all necessary wiring connections, observing proper voltage and polarity. See Step ③ Make sure the power feeds are put into the fixture junction box.

4. Once finished with electrical connection, bend the earthquake clips to attach to the T grid. See Step ④⑤

5. Turn on power, the fixture will illuminate. See Step ⑥ Do not mass install before testing.

