

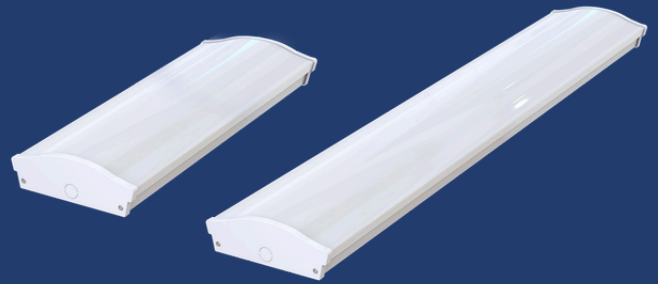
8" Full Size LED Wraparound Fixture

DESCRIPTION

2FT 4FT

- NOONLIGHT 8" Wide Full Size LED Wraparound Fixture are designed to deliver general lighting for surface mounted applications.
- Integral of new trend of field-adjustable functions provide your customers greater flexibility on wattages and color temperatures.

Built-in Occupancy Sensor allows for Bi-level controls



FEATURES

- UP TO 130LM/W
- CLASS P Programmable LED Driver, 4 Step Power Adujustable,
- CRI>80, CCT Tunable, 3000K, 3500K, 4000K and 5000K
- Minimize stock, 1 SKU can cover max. of 16 models.
- An auxiliary to connect low voltage sensor/BLE or other IOT network.
- Available in 2 Length: 2ft and 4ft
- 5-100% 0-10V dimmable, flicker free, Dim to off, 12V Aux Power
- Built-in PIR Sensor and Motion Sensor Options.
- Built-in Emergency Driver Option.
- L70 > 50,000hrs , 5 year warranty.

HOUSING

- 0.6mm Cold Rolled
- Steel Lotte PCLens

APPLICATION

- Schools, offices, conference room, hospitality etc.

INSTALLATION

- Surface Mounted, Suspended Mounted

CERTIFICATE

- UL Listed: UL 1598 Suitable For Damp Locations,
- Type IC IESNA LM79 & LM-80 Testing: NoonLight LED Luminaires Have Been Tested By An Independent Laboratory In Accordance With IESNA LM-79 and LM-80.
- Color Uniformity: NoonLight' Range Of Correlated Color Temperature Follows The Guidelines Of The American National Standard For Specications For The Chromaticity Of Solid State Lighting (SSL) Products, ANSI C78.377-2017

DIMENSION

4FT: L47.102IN x W8.149IN x H2.672IN



2FT: L23.701IN x W8.149IN x H2.672IN



SPECIFICATION

Input Voltage	Rated Wattage	Lens	Color	Rated Efficacy (LM/W)	Rated Lumen @4000K	Viewing Angle	DLC QPL #
120-277VAC/ 120-347VAC	30W	Frosted	3000K 3500K 4000K 5000K Tunable	130LM/W	3900LM	120°	
	25W				3250LM		
	18W				2250LM		
	12W				1560LM		
120-277VAC/ 120-347VAC	40W	Frosted	3000K 3500K 4000K 5000K Tunable	130LM/W	5200LM	120°	S-B26LXF
	30W				4000LM		S-9JZPN2
	25W				3250LM		S-Z53TBC
	15W				2000LM		S-WJT89H

Power Adjustable, CCT Tunable, 0-10V Dimmable, Full size Wrap Around

PACKAGE

THE PACKAGE KIT INCLUDE

Size	L	W	H	CBM (m ³)	QTY	TOTAL	Net Weight/Ctn		Gross Weight/Ctn	
					/CTN	CARTON	lbs	kg	lbs	kg
4	1252	255	530	0.16	4		20.5	9.3	28.2	12.8

Size	20GP		40GP		40HQ	
	With Pallet	Without Pallet	With Pallet	Without Pallet	With Pallet	Without Pallet
4	768	864	1728	1944	1944	2430

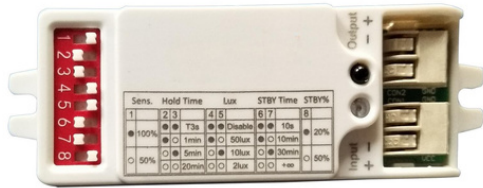
ACCESSORIES

SUSPENSION KIT, 2PCS/FIXTURE



OCCUPANCY SENSOR

NS101



Dip Switch Motion Sensor

NS111



Remote Control Motion Sensor



Remote Controller

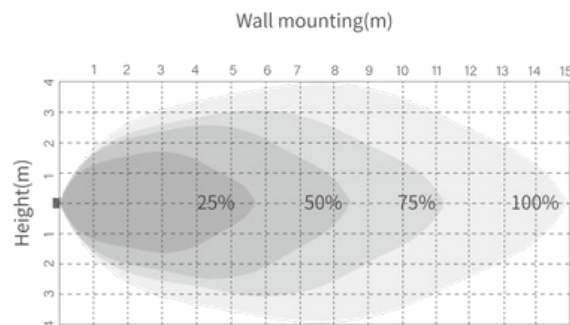
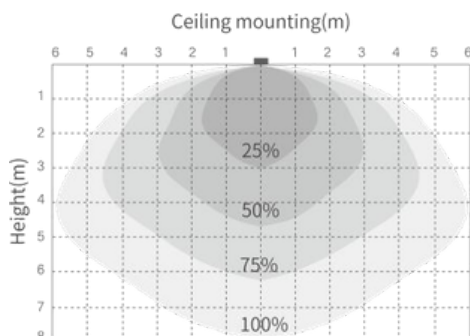
AVAILABLE SETTINGS

- Sensitivity: 100%, 75%, 50%, 25% Daylight Sensor:
- 2lux, 10lux, 25lux, 50lux, 100lux, 300lux, Disable
- Hold Time: 30s, 90s, 5min, 10min, 30min
- Twilight Time: 10s, 5min, 10min, 30min, 1h, Infinite
- Twilight Level: 0%, 10%, 30%, 50%

FACTORY DEFAULT SETTINGS

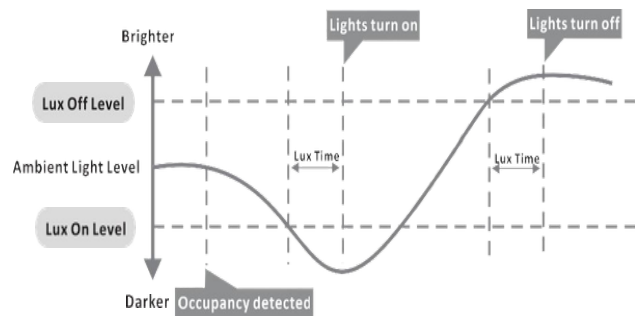
- Sensitivity: 100% Daylight Sensor:
- Disable Hold Time: 5min Twilight
- Time: Infinite (Never Turn off)
- Twilight Level: 30%

DETECTION PATTERN



DUAL PD TECHNOLOGY

Utilizing the Dual-PD technology, these sensors can distinguish the daylight and artificial light even the sensor is placed inside of the fixture, it will automatically turn on/off the light even there is no movement detected, while the sensor learns the ambient light is darker/brighter than its daylight lux setting.



OCCUPANCY SENSOR

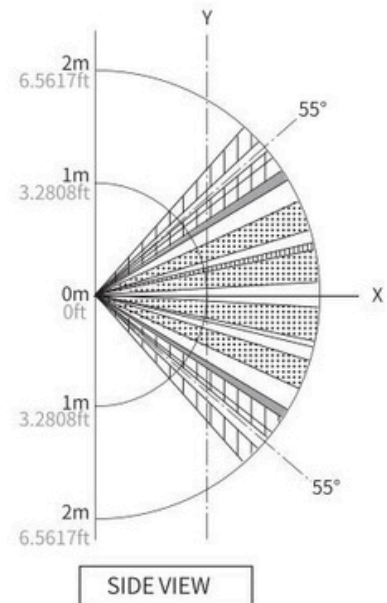
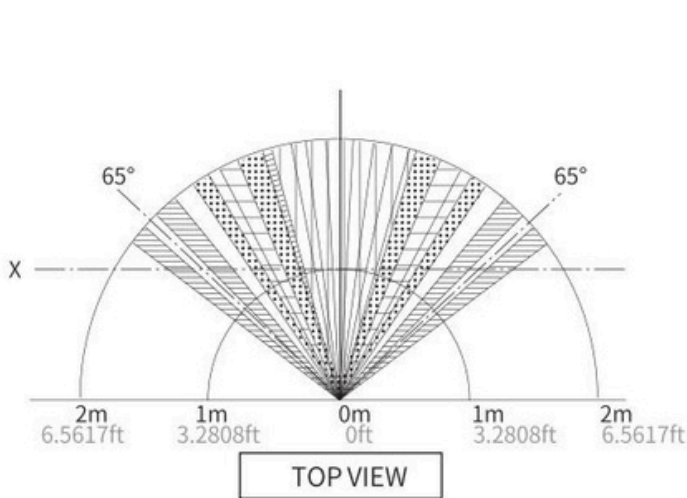
PIR SENSOR / PIR SENSOR WITH DAYLIGHT HARVESTING

NPIR131/131DH



Features Input: 12-24VDC, >8ma 0-10V DC Output Signal Memory Function With One Button Commissioning. IR Remote Controller Commission. Detecton Range: Max. 6m In Diameter. Mounting Height: 3-4m. Optional Daylight Harvesting

Detection Pattern



OCCUPANCY SENSOR

PIR SENSOR / PIR SENSOR WITH DAYLIGHT HARVESTING



Features

Bluetooth® Mesh Compliant.

Bluetooth Operation Frequency 2.4ghz - 2.483 Ghz

Bluetooth Transmission Power: 4dbm Bluetooth

Transmission Range: 10-30m (Typical Indoor)

Bluetooth Protocol: **Bluetooth®** Mesh

Input Voltage: 12 - 24v Dc.

Input Current: $\geq 20\text{ma}$

0~10v Dimming, Task Tuning (10-100%)

Ota Firmware Upgrade.

Individual/group Addressing

Decentralized Control (No Single Point Of Failure)

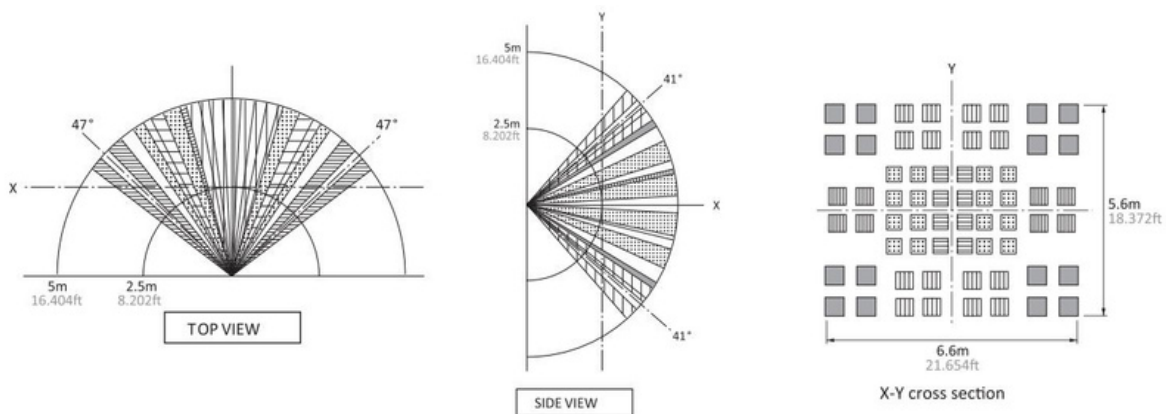
Super Compact, Flexible To Be Integrated Into Any Suitable Fixtures.

Operation Temperature: $-10^{\circ}\text{C}\sim +50^{\circ}\text{C}$.

Rohs Compliant.

Ip Rating: Ip20.

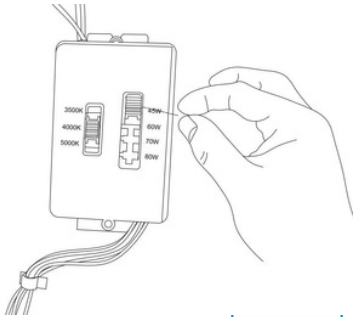
Detection Pattern



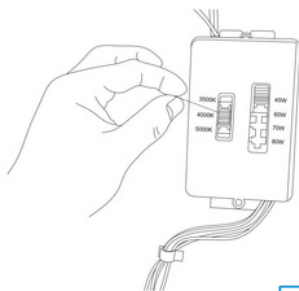
EMERGENCY PACK

FIELD ADJUSTABLE

HOW TO CHANGE THE WATTAGE AND CCT IN THIS FIXTURE



Power Adjustable Slide Switch Position				
Size/Position	0	1	2	3
2FT	30W	25W	18W	12W
4FT	40W	30W	25W	15W



CCT Tunable Slide Switch Position	
Position	CCT
0	3000K(Optional)
1	3500K
2	4000K
3	5000K

LED WRAPAROUND

INSTALLATION AND USERS' GUIDE

WARNING

Risk of fire. Turn off power before installation. Risk of electronic shock.

Install only by certified electrician with gloves. To be used in indoor dry and damp location only. If the luminaire exhibits undesirable operation (buzzing, flickering, not working etc.) immediately turn off power, remove luminaire and contact manufacturer. Do not make mass installation before testing.



INSTRUCTION FOR SURFACE MOUNTING

1. Disconnect or turn off power before installation, see step ①.
2. Install the base to the ceiling, see step ②③.
3. Make the electrical connection to the fixture in accordance with local electrical code. Make all necessary wiring connections, observing proper voltage and polarity. See step ④.
4. Make sure the power feeds are put into the fixture from the junction box.
5. Once finish with the electrical connection, attach the lens to the base. See step ⑤.
6. Once attach the lens, screw the end caps at both sides to the base. See step ⑥ ⑦.
7. Turn on power, the light will be lighted up. See step ⑧.

