

LED Canopy Light



Lumens Depot LED Canopy Light delivers exceptional performance, efficiency, and a modern, functional design—making it an ideal solution for commercial canopy applications. Engineered with high lumens per watt and outstanding efficacy, this fixture ensures bright, energy-efficient illumination while maintaining long-term reliability. Its field-serviceable design adds convenience for maintenance and durability in demanding environments. Built with contractors in mind, the canopy light includes secure fasteners and a locking collar, enabling quick, safe, and water-tight installation. It can be easily surface-mounted from below the canopy deck and also supports pendant mounting, offering flexibility across various installation needs

Product Features

- Up to 140 lumens per watt
- 0-10V Dimmable
- Beam Angle 120° Degree
- Built-in 10KV Surge Protector
- 3/4" Pipe mount
- Die cast Aluminum white housing
- IP65 Rated
- Input Voltage 120-277VAC
- UL & DLC Listed
- 5 Year warranty

LED Canopy Light

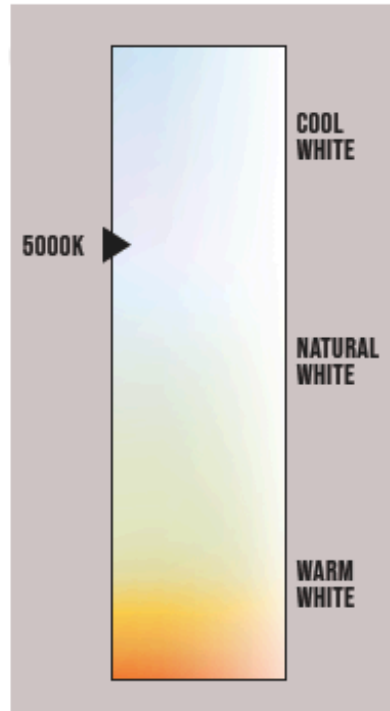
Model #	Wattage Adjustable	Lumens	CCT Adjustable	Housing	Input Voltage	Dimming	Certifications
CP06-200L-D-57	200W	28000Lm	5700K	White	120-277V	0-10V	UL & DLC

Specifications

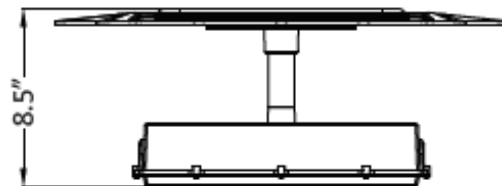
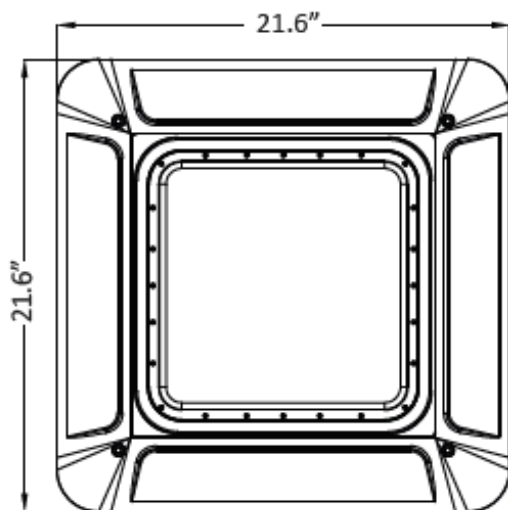
Parameter	Description	Value
General Performance	Model #	CP06-200L-D-57
	Wattage	200W
	Lumen	28000LM
	Lumen Efficacy	Up to 140LM/W
	Color Temperature	5700K
	CRI (Ra)	>80
	Beam Angle	120Degree
	Diffuser Type	PC Lens
Electrical	Input Voltage	120-277Vac
	Frequency	50/60Hz
	THD	≤20%
	Dimming	0-10V
	Power Factor	≥0.9
	Driver Brand	BQ
	Driver Model	BQ-200B2-260 Series
	Driver Surge Protection	L/N 6KV, L/N-P 6KV
Physical	Flicker Percent	<5%
	Operating Temperature	-40°C To 45°C
	Operating Humidity	10% - 90% RH
	Storage Temperature	-40°C TO 90°C
	Storage Humidity	5% - 95% RH
	LED	Lumileds
	Brand	SMD2835
	LED Type	624 Pcs
Qualification	LED QTY	ADC12 Aluminum DieCasting
	Housing	White
	Housing Color	IP65
	IP Rating	5 Year warranty

LED Canopy Light

Correlated Color Temperature (CCT)



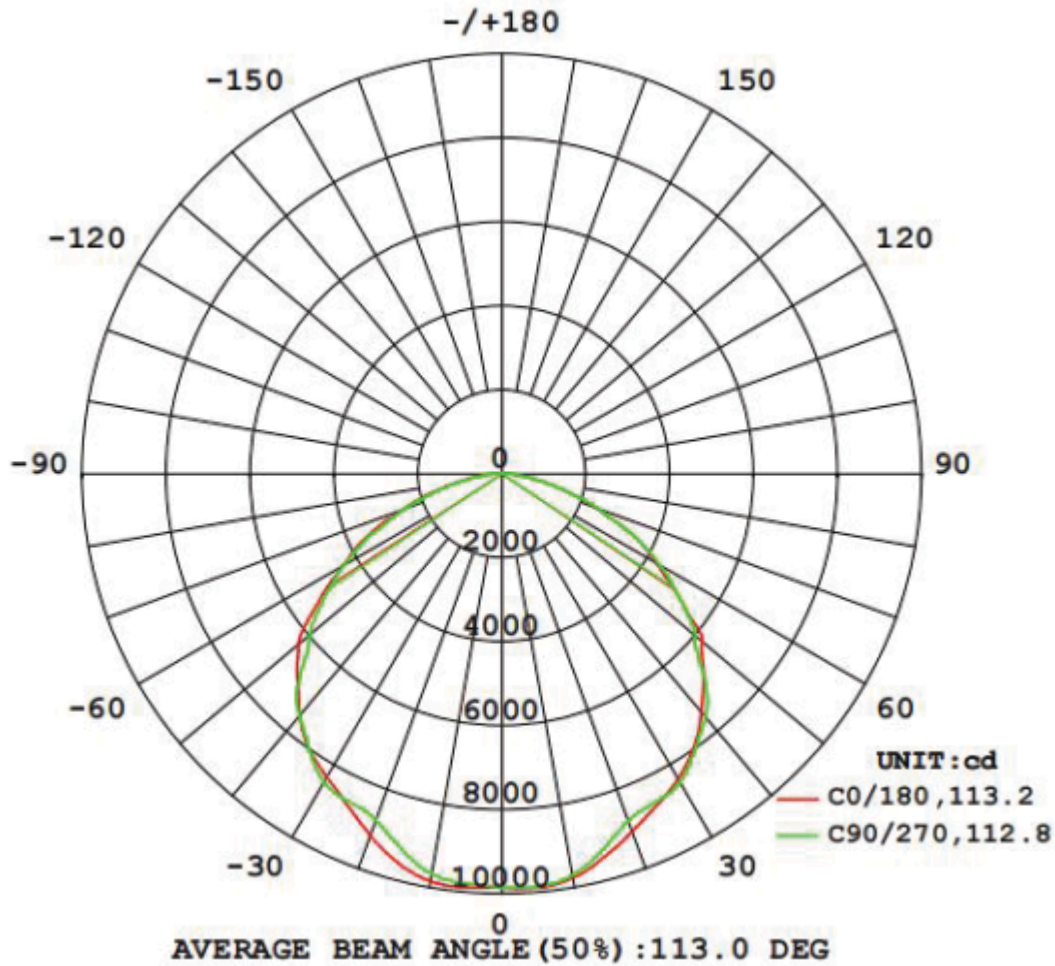
Dimensions



LED Canopy Light

Photometric Data

Luminous Intensity Distribution



LED Canopy Light

Installation - SKU: 156783

Please read the user manual carefully and follow it. This will help to prevent damage of the product, prolong its lifespan and it will be helpful for your normal use and maintenance, to ensure that your life safety. Please keep the manual properly

Part No.	Input Voltage	Frequency	Power	Rated Current
CP06-200	AC120-277V	50/60Hz	200W	1.83A

WARNINGS

THE LED CANOPY MUST BE INSTALLED IN ACCORDANCE WITH ALL APPLICABLE ELECTRICAL CODES BY PERSONS FAMILIAR WITH THE INSTALLATION, OPERATION, AND/OR MAINTENANCE OF THE PRODUCTS AND THE HAZARDS INVOLVED. THE LED CANOPY MUST BE INSTALLED WITH UL LISTED CONDUIT FITTINGS.

1. Risk of fire or electric shock.

1-1 Make sure the working voltage of LED Canopy is under its rated voltage.

1-2 Make sure the accessories and wires are completed and intact during the installation.

1-3 Installation requires knowledge of electrical systems. For install by qualified electrician only. Do not attempt installation if not qualified.

1-4. This fixture should only be installed in place of existing luminaires that have the construction features and dimensions specified in this manual.

2. Do not expose any wire to edge of sheet metal and/or other sharp objects that may cause damage or abrasion.

3. Do not change existing open holes or create any additional open holes in the fixture or its components during installation.

CAUTIONS

1. Be certain electrical power is OFF before and during installation and maintenance.

2. To prevent wiring damage or abrasion, do not expose wiring to edges of sheet metal or other sharp objects.

3. Do not use the LED Canopy near heating appliances/ elements.

4. The input voltage and lamps should be matched after connecting the power line, please make sure the wiring section is insulated.

LED Canopy must be operated within an ambient temperature range of -22°F to 113°F (-30°C to +45°C). LED Canopy is not intended for use with emergency exits.

LED Canopy Light

Installation

Please read the user manual carefully and follow it. This will help to prevent damage of the product, prolong its lifespan and it will be helpful for your normal use and maintenance, to ensure that your life safety. Please keep the manual properly

Part No.	Input Voltage	Frequency	Power	Rated Current
CP06-200	AC120-277V	50/60Hz	200W	1.83A

WARNINGS

THE LED CANOPY MUST BE INSTALLED IN ACCORDANCE WITH ALL APPLICABLE ELECTRICAL CODES BY PERSONS FAMILIAR WITH THE INSTALLATION, OPERATION, AND/OR MAINTENANCE OF THE PRODUCTS AND THE HAZARDS INVOLVED. THE LED CANOPY MUST BE INSTALLED WITH UL LISTED CONDUIT FITTINGS.

1. Risk of fire or electric shock.
 - 1-1 Make sure the working voltage of LED Canopy is under its rated voltage.
 - 1-2 Make sure the accessories and wires are completed and intact during the installation.
 - 1-3 Installation requires knowledge of electrical systems. For install by qualified electrician only. Do not attempt installation if not qualified.
 - 1-4. This fixture should only be installed in place of existing luminaries that have the construction features and dimensions specified in this manual.
2. Do not expose any wire to edge of sheet metal and/or other sharp objects that may cause damage or abrasion.
3. Do not change existing open holes or create any additional open holes in the fixture or its components during installation.

CAUTIONS

1. Be certain electrical power is OFF before and during installation and maintenance.
 2. To prevent wiring damage or abrasion, do not expose wiring to edges of sheet metal or other sharp objects.
 3. Do not use the LED Canopy near heating appliances/ elements.
 4. The input voltage and lamps should be matched after connecting the power line, please make sure the wiring section is insulated.
- LED Canopy must be operated within an ambient temperature range of -22°F to 113°F (-30°C to +45°C). LED Canopy is not intended for use with emergency exits.

LED Canopy Light

Package

Carton Size	Qty / Carton	Net Weight / Carton	Gross Weight / Carton
33.46 x 24.21 x 6.57	2 Pc	31.96 LBS	33.99 LBS

Application Images

