

COOLER LIGHT



Lumens Depot Foam's LED Cooler Lights provide high-performance, energy-efficient illumination for refrigerated display applications. Designed to deliver wide-beam lighting, they are ideal for freezers and walk-in coolers, enhancing product visibility while consuming less energy than traditional fluorescent lighting.

Equipped with a built-in driver, these lights ensure quick and hassle-free installation. Their durable construction and IP65 rating make them well-suited for humid and cold environments commonly found in refrigeration settings.

Available in a 6-foot length, they can be mounted either vertically or horizontally, offering flexibility for various installation requirements. Built for reliability and long-lasting performance, these cooler lights are an excellent solution for commercial refrigeration applications.

Product Features

- Up to 130 lm/W
- Available in 6ft
- 30 Watt
- 5000K & CCT 6500K
- Built-in driver
- 155° Beam Angle
- Vertical or horizontal mounting
- Input Voltage 100-277VAC
- UL & DLC listed
- 5-year warranty

COOLER LIGHT



WATT	MAX LUMENS	CCT	INPUT VOLTAGE	CRI	SIZE	LIGHT SPREAD	CONSTRUCTION	IP RATING	CERTIFICATIONS
30W	3900	5000K	100-277V	>80	6'	155°	Aluminum+PC Clear Lens	IP65	UL & DLC
30W	3900	6500K	100-277V	>80	6'	155°	Aluminum+PC Clear Lens	IP65	UL & DLC

Specifications

Parameter	Description	Value
General Performance	Model #	ZY-30W1800 BINS
	Watt	30W
	Color Temperature	5000K
	Max Lumens	3900
	Lumen Efficacy	Up to 130LM/W
	CRI (Ra)	≥80
Electrical	Light Spread	145.4o
	Input Voltage	100-277V
	Frequency	60Hz
	PF	≥0.9
	THD	<22%
	Driver Brand	Venas
Physical	Operating Temperature	-25oC - 20oC
	Storage Temperature	-25oC - 50oC
	Operating Humidity	65% RH
	LED Brand	Venas
	LED Type	SMD2835
	Construction	Aluminum
Qualification	Housing Color	Milky White/Clear
	IP Rating	IP65
	Warranty	5 Year warranty

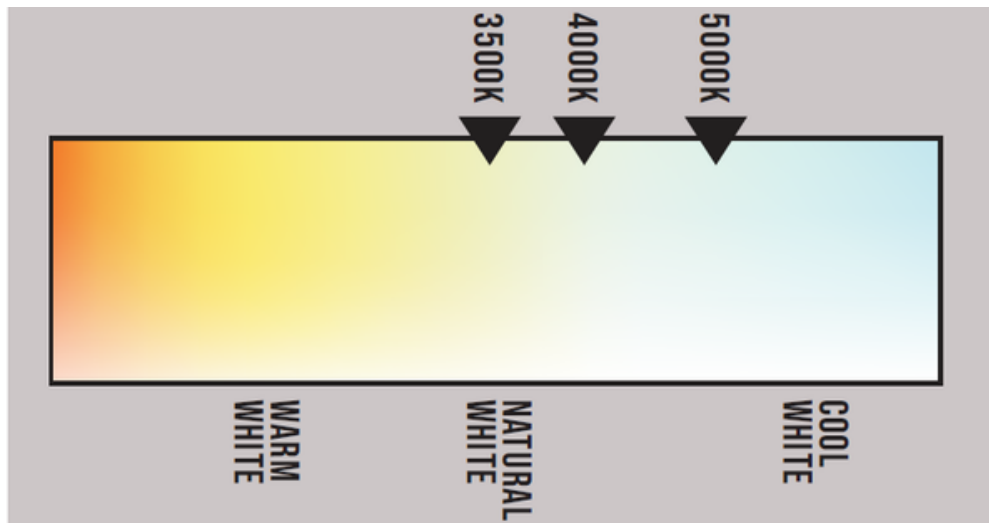
COOLER LIGHT

Specifications

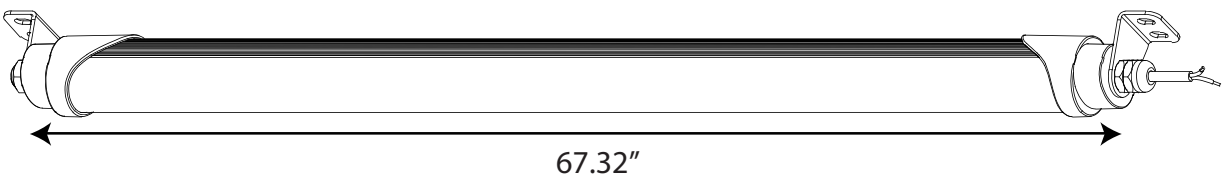
Parameter	Description	Value
General Performance	Model #	ZY-30W1800 BINS
	Watt	30W
	Color Temperature	6500K
	Max Lumens	3900
	Lumen Efficacy	Up to 130LM/W
	CRI (Ra)	≥80
Electrical	Light Spread	145.4o
	Input Voltage	100-277V
	Frequency	60Hz
	PF	≥0.9
	THD	<22%
	Driver Brand	Venas
Physical	Operating Temperature	-25oC - 20oC
	Storage Temperature	-25oC - 50oC
	Operating Humidity	65% RH
	LED Brand	Venas
	LED Type	SMD2835
	Construction	Aluminum
Qualification	Housing Color	Milky White/Clear
	IP Rating	IP65
	Warranty	5 Year

COOLER LIGHT

Correlated Color Temperature (CCT)

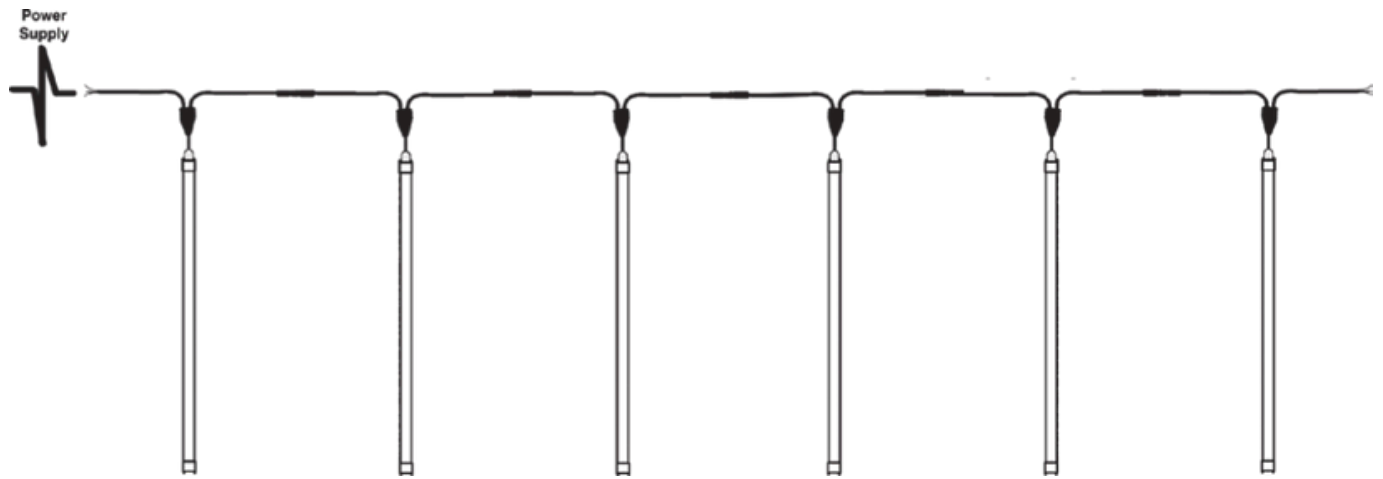


Dimension



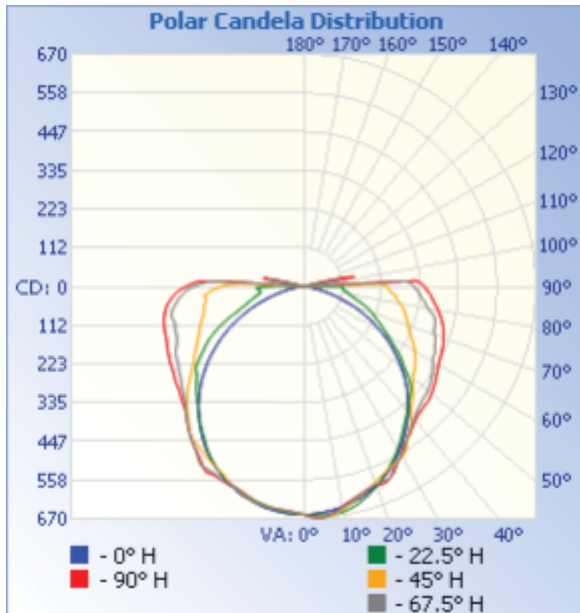
COOLER LIGHT

Easy Daisy-Chain Installation



COOLER LIGHT

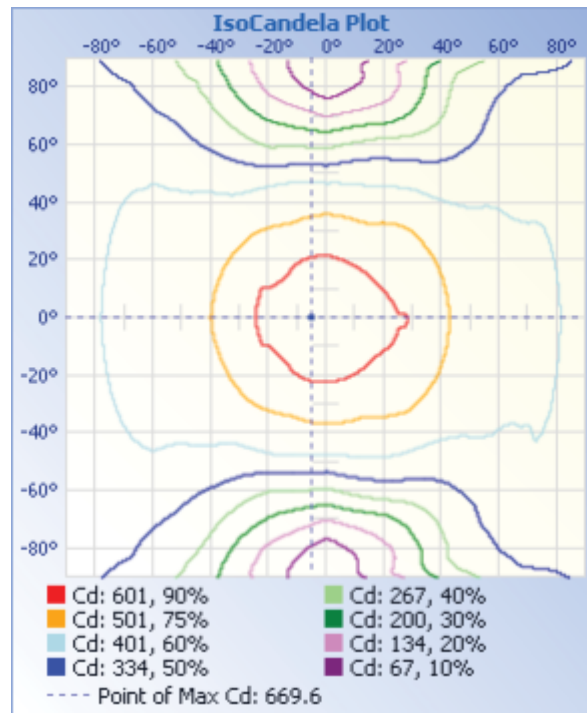
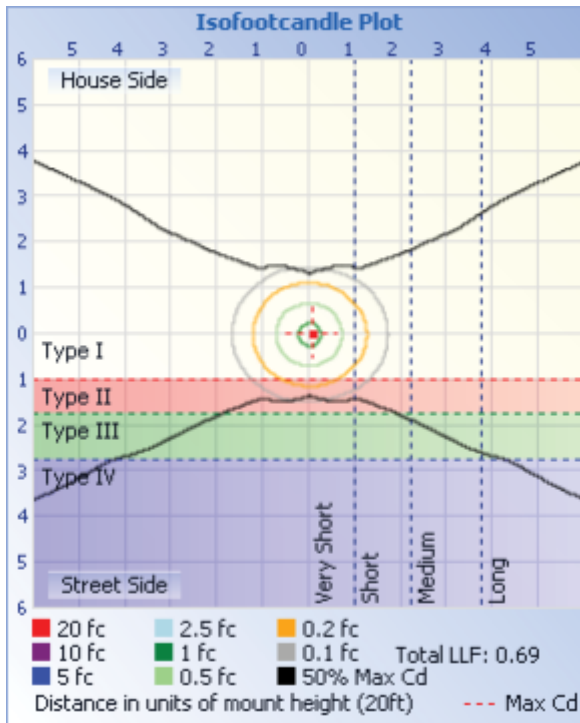
Photometric Data



Illuminance at a Distance

	Center Beam fc	Beam Width
17.0ft	2.28 fc	46.2 ft
34.0ft	0.57 fc	92.3 ft
51.0ft	0.25 fc	138.5 ft
68.0ft	0.14 fc	184.6 ft
85.0ft	0.09 fc	230.8 ft
102.0ft	0.06 fc	276.9 ft

■ Beam Spread: 107.2°

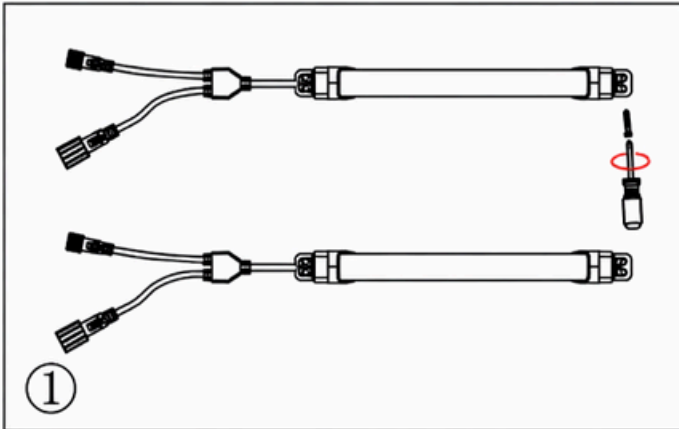


COOLER LIGHT

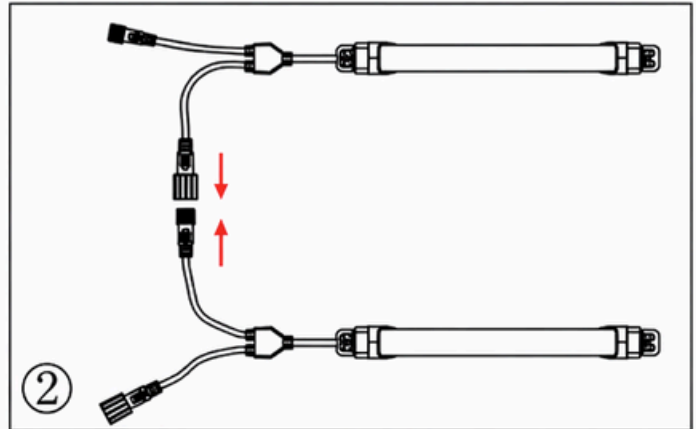
Installation and Electrical Connection



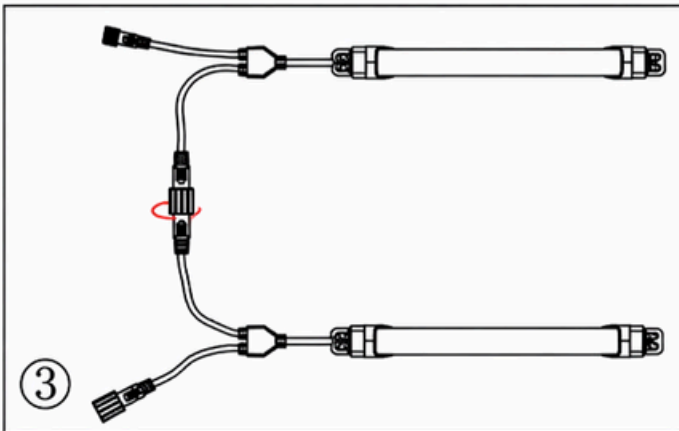
WARNING
RISK OF FIRE, ELECTRIC SHOCK OR PERSONAL INJURY
Before Installation, turn power o .



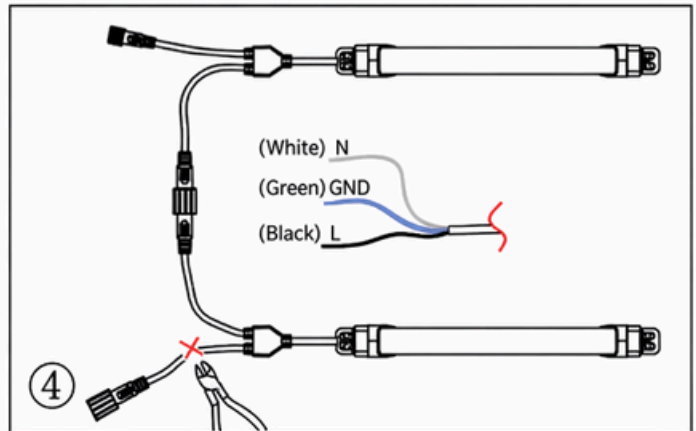
1. Position and x the lamps.



2. Connect the male and female waterproof inter faces.



3. Tighten the nut of the connector.



4. Use diagonal pliers to cut any one of the wires at the head and tail close to the water head end, peel the wire core and connect it with the mains power input end.

Tolls Required



COOLER LIGHT

Packaging

Box Dimension	Qty	Net Weight	Gross Weight
72.83" x 8.26" x 9.05"	25 Pcs/Box	33LBS	37LBS
72.83" x 8.26" x 9.05"	25 Pcs/Box	33LBS	37LBS

COOLER LIGHT

Application Image



COOLER LIGHT

Application Image

