

DISK LIGHT



Lumens Depot Foam's LED Disk Lights provide versatile, high-performance lighting with a simple, can-free installation. Designed to be directly wired to a standard 6" junction box, these fixtures include a retrofit kit for quick and seamless mounting, delivering instant, bright illumination.

With a sleek surface-mount design, they are ideal for both residential and commercial applications, offering a clean, modern look that complements any space. Featuring a high 90 CRI, they ensure excellent color rendering for enhanced visual clarity and comfort.

Equipped with five selectable CCT options, these lights allow you to easily customize the ambiance to suit different environments. Built for energy efficiency and long-lasting performance, they provide a reliable lighting solution for years of use.

Product Features

- Up to 100 lm/W
- Available in 6"
- 15 Watt
- Adjustable CCT
- Triac Dimming
- 110° Beam Angle
- White housing
- Input Voltage 120VAC
- ETL & ES listed
- Title 24 compliant
- 5-year warranty

DISK LIGHT

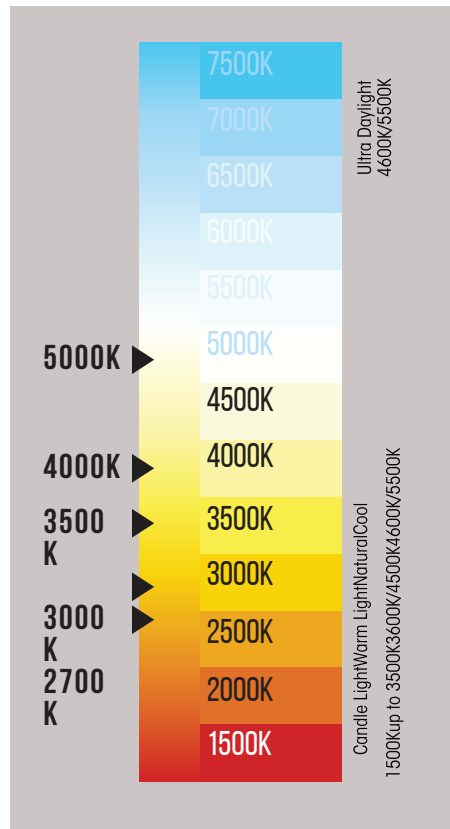
WATT	MAX LUMENS	ADJ. CCT	INPUT VOLTAGE	CRI	SIZE	LIGHT SPREAD	CONSTRUCTION	DIMMING	CERTIFICATIONS
15W	1500	2700K/3K/ 3500K/4K/5K	120VAC	>90	6"	110°	Iron+PC	Triac	ETL & ES

Specifications

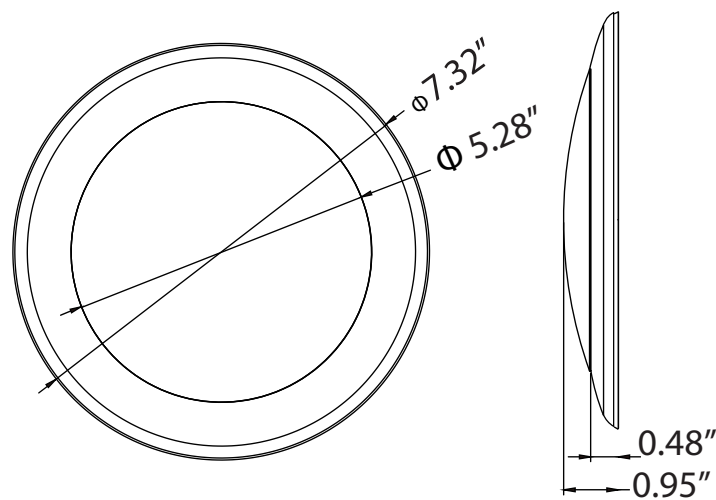
Parameter	Description	Value
General Performance	Model #	DL205T-6-15W-5CCT-R90-0001
	Watt	15W
	Max Lumen	1500
	Lumen Efficacy	Up to 100LM/W
	Color Temperature	2700K / 3000K / 3500K / 4000K / 5000K
	CRI (Ra)	>90
	Light Spread	110o
	Diffuser Type	PC
Electrical	Input Voltage	120VAC
	Frequency	50/60Hz
	Dimming	Triac Dimmable
	Power Factor	≥0.9
	Driver Surge Protection	2.5KV
	Operating Temperature	-20 ± 40
Physical	Operating Humidity	20% - 90%
	Storage Temperature	-30oC - 80oC
	Storage Humidity	10% - 95%
	LED Brand	N/A
	LED Type	2835
	LED QTY	66PCS
Qualification	Construction	Iron
	Housing Color	White
	IP Rating	IP43
	Warranty	5 Years Warranty

DISK LIGHT

Correlated Color Temperature (CCT)

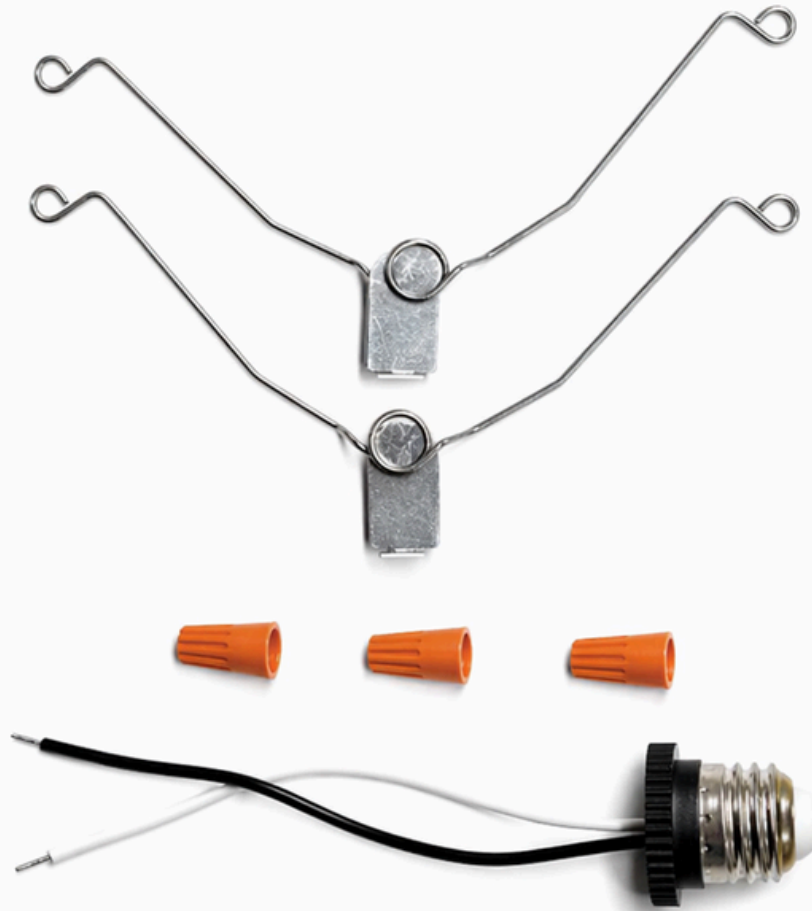


Dimensions



DISK LIGHT

Installation Accessories



Recessed Can

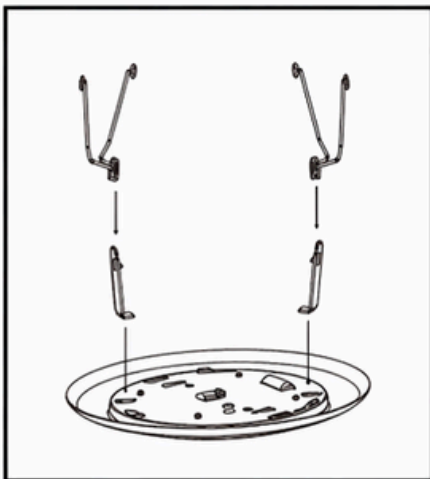


Figure1

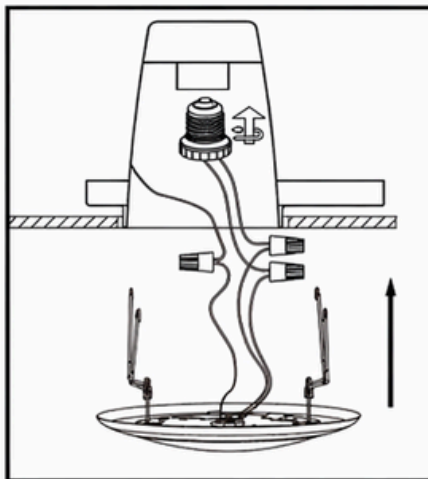


Figure2

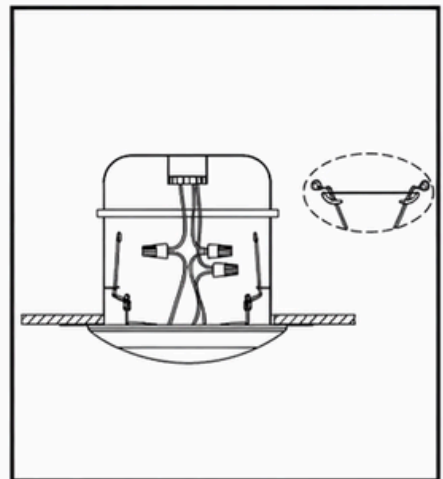
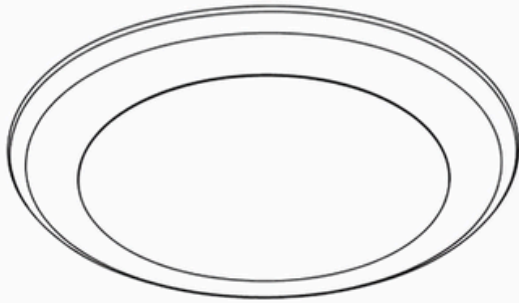


Figure3

DISK LIGHT

Accessories



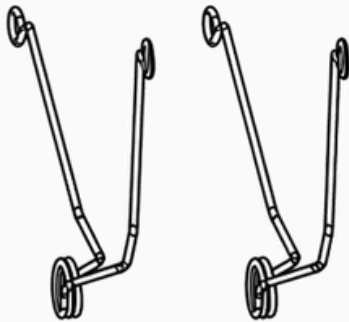
6in Round LED Disc



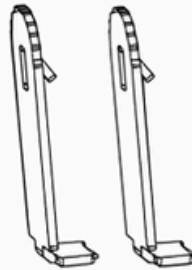
Mounting Screws



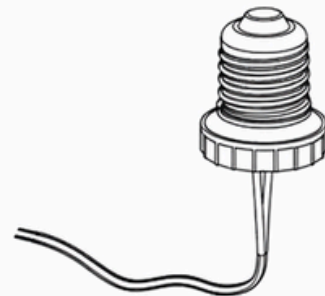
Wire Nut



Spring Iron Support



Mounting Iron



E26 Base Whip

Installation

⚠ Safety Information

WARNING: These products may represent a possible shock or fire hazard if improperly installed or attached in any way. Products should be installed in accordance with these instructions, current electrical codes, and/or the current National Electric Code (NEC). Disconnect power to the unit prior to installation.

WARNING: To reduce risk of fire, electric shock, or injury to persons

- Read all installation instructions before beginning. If you have any doubts about how to install this lighting fixture, or if the fixture fails to operate completely, consult a qualified electrician to ensure correct branch circuit conductor.
- This fixture is designed for use in a circuit protected by a fuse or circuit breaker.
- Always be sure that power supply is turned off at fuse box or circuit breaker before installing, cleaning, or servicing the fixture.

DISK LIGHT

Installation

- This product must be installed in accordance with the applicable installation code by a person familiar with the construction and operation of the product and the hazards involved.
- Supply conductors (Power Wires) Connecting the fixture must be rated minimum 90°C. If uncertain, consult an electrician.
- To reduce the risk of fire, electric shock or injury to persons, do not make or alter any open holes in a wiring enclosure nor in any electrical components during kit installation.
- To prevent wiring damage or abrasion, do not expose wiring to edges of sheet metal or other sharp objects.
 - There are no serviceable parts inside the fixture.
- Suitable for use in wet locations.
- This fixture is rated TYPE NON-IC and is not suitable for direct contact with insulation.
- The installer must determine that supply power is 120V AC 60Hz at the luminaire before installation.
- The National Electric Code (NEC) does not permit cords to be concealed where damage to the cord's insulation may go unnoticed. To prevent fire damage, do not run cord behind walls, ceilings, closets, or cabinets where it may be inaccessible for examination. Cords should be visually examined periodically and immediately replace when any damage is noted.
- Do not cover the fixture with any heat insulated materials.
- To avoid electrical shock, do not operate fixture with missing or damaged lens.

WARNING: To reduce risk of cuts

- Some metal parts in the fixture may have sharp edges. Wear gloves when handling the part.

SAVE THESE INSTRUCTIONS

- For safest operation, read and become familiar with complete installation instructions prior to use. Pay close attention to this manual and stay within its guidelines when using this product.

CAUTION:

- All parts must be used as indicated in this manual. Do not substitute any parts, leave parts out, or use parts that are worn out or broken. Failure to obey this instruction could invalidate the ETL certification.
- LEDs emit bright light. Avoid looking directly at the light source.
- Accounts for small parts and destroy packing material, as these may be hazardous to children.

Preparation

Before beginning assembly, installation, or operation of product, make sure all parts are present.

Compare parts with package and hardware contents list on page 1. If any part is missing or damaged, do not attempt to assemble, install or operate the product. Contact customer service for replacement parts.

Tools Required for Assembly (not included): Ladder, safety glasses

Estimated assembly time: 15-20 minutes per fixture

Installation Instructions

WARNING

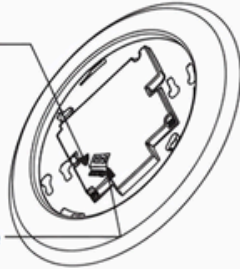
- Turn off electricity at main fuse box (or circuit breaker box) before beginning installation by removing fuse (or switching off circuit breaker).
- Be careful not to damage or cut the wire insulation (covering) during fixture installation. Do not permit power cord or housing to contact any surface having a sharp edge. To do so may damage or cut the wire insulation, which could cause serious injury or death from electric shock.
- This fixture is rated for 120V AC operation and draws 15W per fixture. The installer must determine whether supply power is appropriate prior to installation.
 - For installation direct to the ceiling via 6" octagonal junction box, see Steps 1-4. For installation to 5"/6" recessed housing, see Steps 5-7.

DISK LIGHT

Installation

CCT selectable
by dip switch

5 CCT selectable



Note

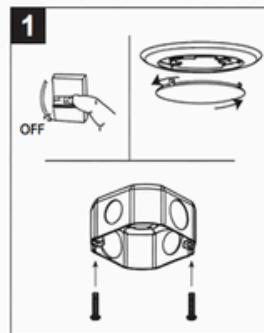
Toggle the dip switch on the back of the disc light (A) to select the correlated color temperature (CCT) prior to installation.

For surface mounting

1. Turn off the circuit breaker and light switch.;

Twist to detach the lamp shade from the mounting plate and set aside.;

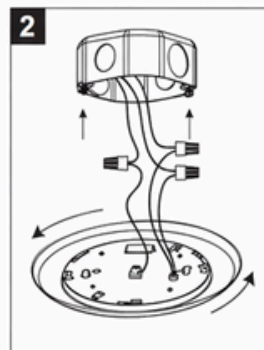
Install the two screws into the junction box and leave 1/4" of screw exposed to accommodate mounting plate (See Figure 1).



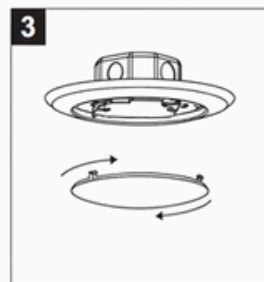
2. Connect the house ground wire, black wire and white wire to mounting plate ground wire, black wire and white wire using the nut.;

Attach the mounting plate to the junction box by aligning the holes on mounting plate with the screws on the junction box.;

Turn mounting plate counterclockwise to lock in place and tighten (See Figure 2).



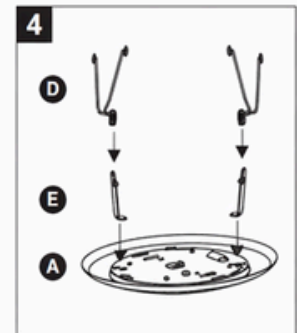
3. Reattach lamp shade to mounting plate and twist to lock in place (See Figure 3).;



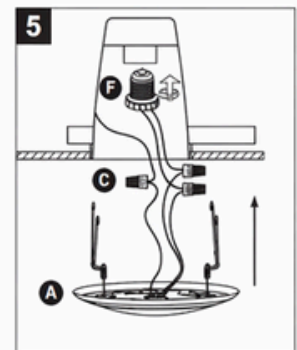
4. Turn on the circuit breaker and light switch, testing the light fixture.

For 5"/6" recessed housing

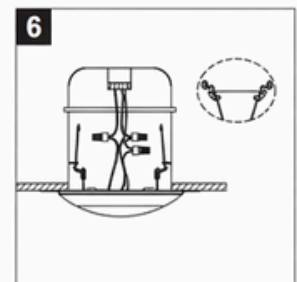
5. Spring iron bracket (D) and mounting patch (E) inlay stable, mounting patch (E) and 6inch Round LED Disc inlay stable



6. Connect the E26 base whip (F) to the fixture (A) by making wire connections using wire nuts (C): black to black and white to white. Tuck the ground wire away. Then connect the E26 base whip (F) to the socket inside of the recessed.



7. Push the disc light (A) up in to the recessed housing, being sure not to pinch or nick any of the wires.



DISK LIGHT

Dimming Information

- This product is suitable for use in dimming circuits. For 10-100% light control, use with an LED-compatible dimmer (sold separately).

Care And Maintenance

- Use only a mild soap and/or water with a soft cloth to clean the fixture. Harsh chemicals will damage the fixture. Do not wipe the fixture with a rough cloth that may scratch the finish or the lens.

Trouble Shooting

- The light does not come on at all:
 - a) With power supply turned on, ensure all connections are made correctly.
 - b) Make sure the circuit breaker is on and that switch controlling branch circuit is on.If one of these is this issue, please consult a certified electrician.

Five-Year Limited Warranty

If, during normal use, this lighting fixture breaks or fails due to a defect in material and workmanship within five (5) years from the date of original purchase, simply bring this lighting fixture with your original sales receipt back to your nearest retail store. At its discretion, to have the product or any defective part(s) repaired or replaced with the same or similar product free of charge, within the stated warranty period, when returned by the original purchaser with original sales receipt. This warranty; (1) excludes expendable parts including but not limited to light bulbs; (2) does not cover damage that has resulted from abuse or misuse; and (3) does not cover any losses, labor, injuries to persons/property or costs.

Packaging

Size	Box Dimension	Qty	Net Weight	Gross Weight
6"	15.74" x 8.07" x 8.27"	12 Pcs/Box	6.96 LBS	8.1 LBS

DISK LIGHT

Application Image

