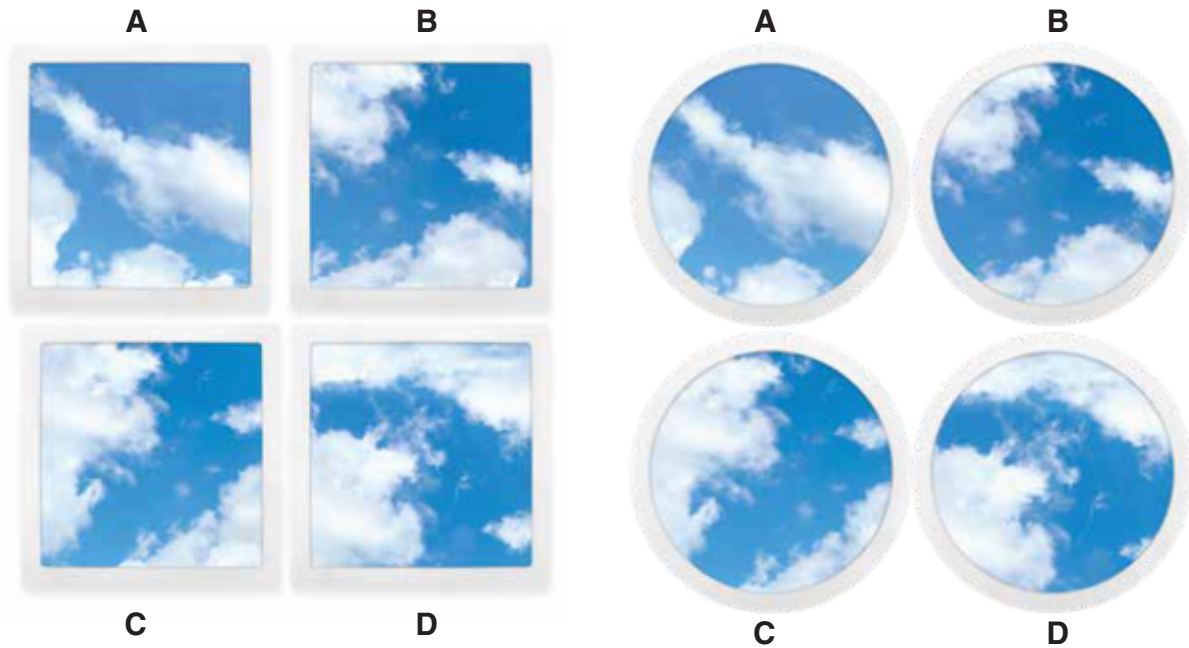


LED DOWNLIGHT



FOUR UNIQUE PATTERNS SOLD AS PACK OF FOUR

Lumens Depot Foam's LED Downlight is an innovative lighting solution designed to create a soft, sky-like ambiance in indoor spaces. Featuring a unique, modern design, it is available in 12-inch square and round options with multiple pattern styles, adding a visually appealing element to ceilings. Engineered to provide uniform, glare-free illumination, it enhances focus and comfort, making it ideal for offices, educational institutions, healthcare facilities, hospitality environments, and residential spaces. Installation is quick and flexible, with both flush mount and recessed options that easily connect to a standard junction box or existing 6-inch housing. Combining aesthetic appeal with efficient performance, this downlight offers a reliable and stylish lighting solution for a wide range of interior applications.

Product Features

- Up to 50 lm/W
- 24 Watt
- CCT: Daylight White
- Available in 12"
- Square & Round designs
- 1-10V Dimmable
- Input voltage 120V AC
- ETL listed
- 5 Years warranty

LED DOWNLIGHT

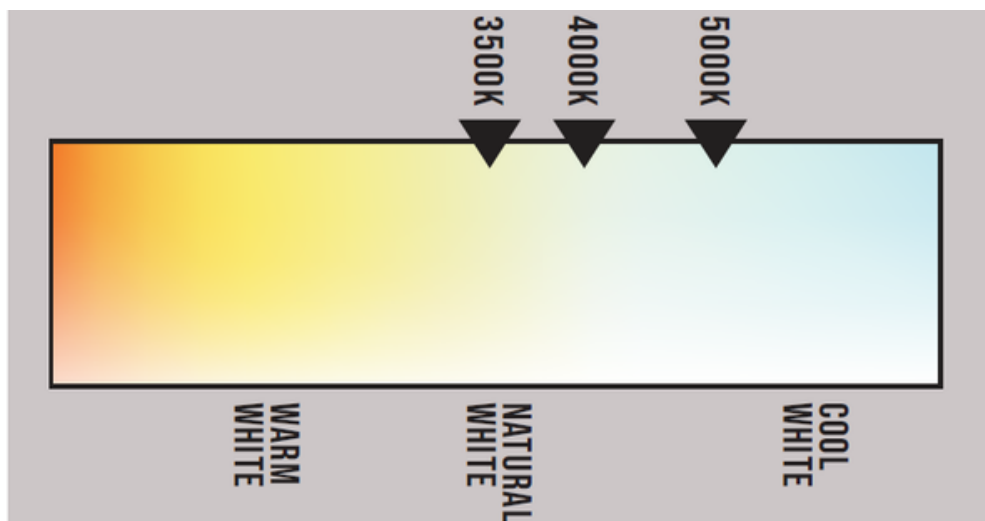
WATT	MAX LUMENS	ADJ. CCT	INPUT VOLTAGE	CRI	SIZE	LIGHT SPREAD	TYPE	CONSTRUCTION	DIMMING	CERTIFICATIONS
24W	1200	Daylight White	120V	>80	12"	110°	Round	Aluminum+PC	1-10V	ETL
24W	1200	Daylight White	120V	>80	12"	110°	Square	Aluminum+PC	1-10V	ETL

Specifications

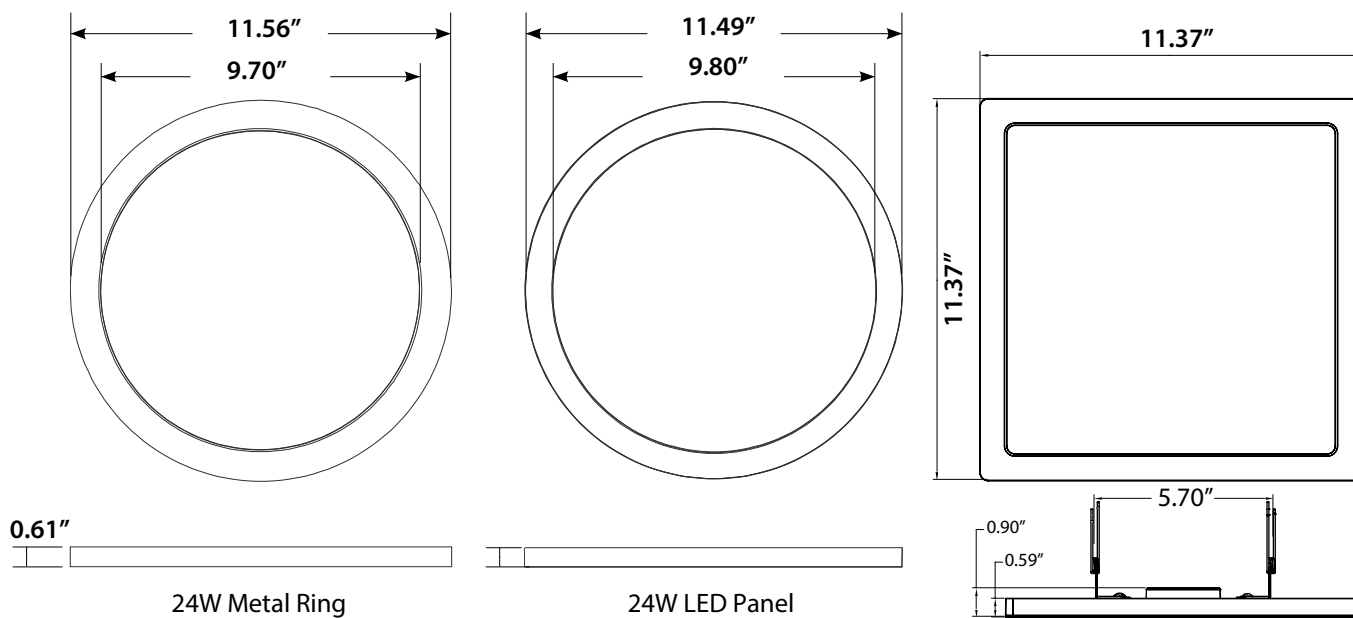
Parameter	Description	Value
General Performance	Adjustable Watt	24W
	Max Lumens	1200
	Lumen Efficacy	Up to 50LM/W
	Color Temperature	Daylight White
	CRI (Ra)	>80
	Light Spread	110o
	Diffuser Type	PC
Electrical	Input Voltage	110-120Vac
	Frequency	50/60Hz
	Dimming	1-10V Dimmable
	Power Factor	≥0.9
	Driver Surge Protection	N/A
	Flicker Percent	N/A
Physical	Operating Temperature	-20oC to 50oC
	Operating Humidity	N/A
	Storage Temperature	N/A
	Storage Humidity	N/A
	LED Brand	N/A
	LED Type	SMD2835
	LED QTY	120 Pcs
	Construction	Aluminum+PC
Qualification	Housing Color	White
	IP Rating	IP20
	Warranty	5 Years

LED DOWNLIGHT

Correlated Color Temperature (CCT)

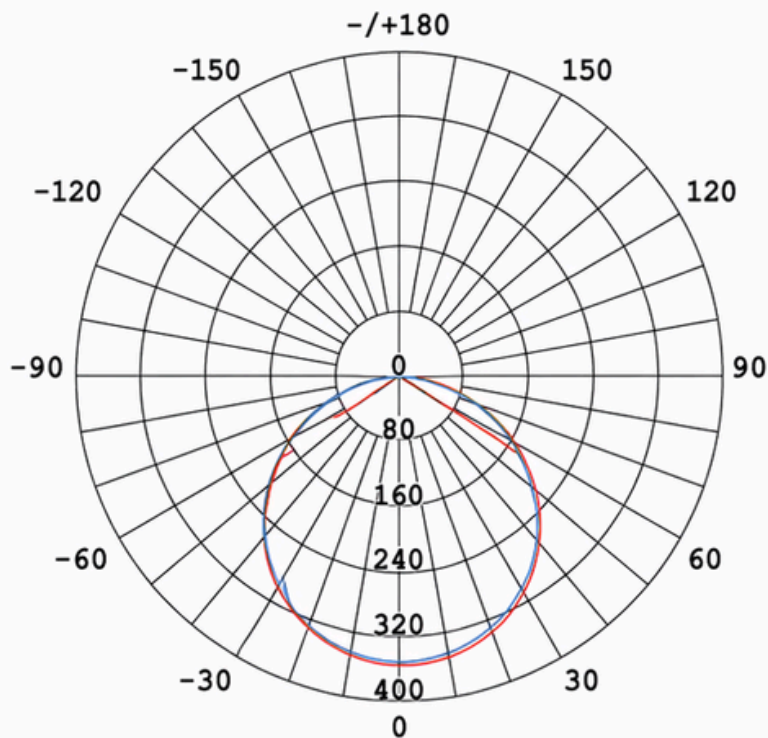


DIMENSIONS



LED DOWNLIGHT

Photometric Data



12W

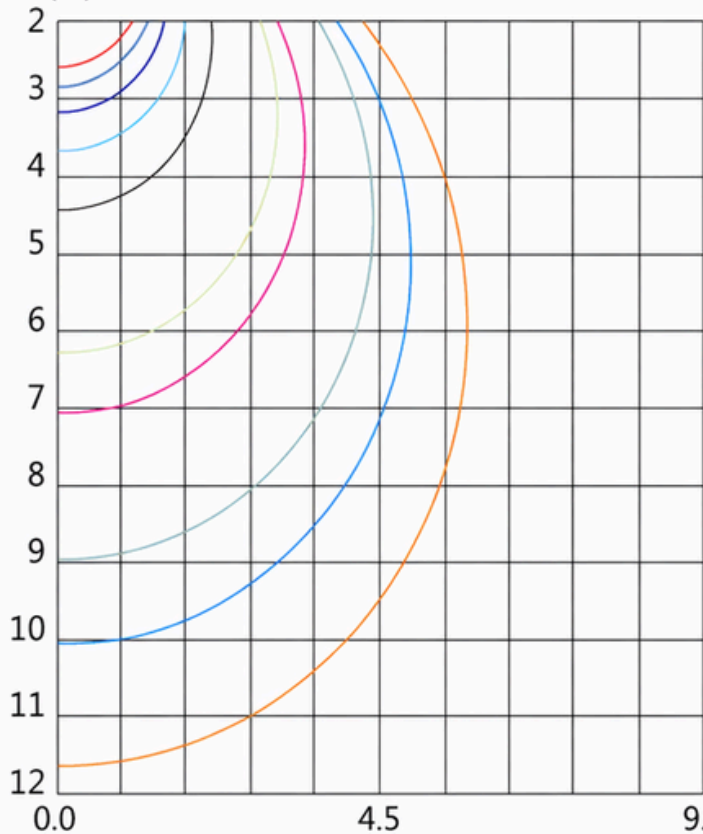
UNIT: cd

— C0/180, 112.7deg

— C90/270, 113.0deg

AVERAGE BEAM ANGLE(50%):
112.9 DEG

MH(m)

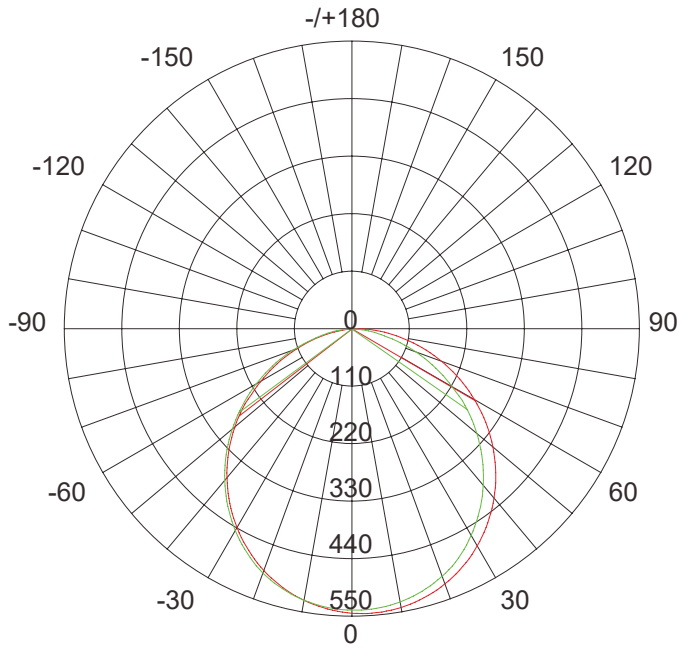


18W

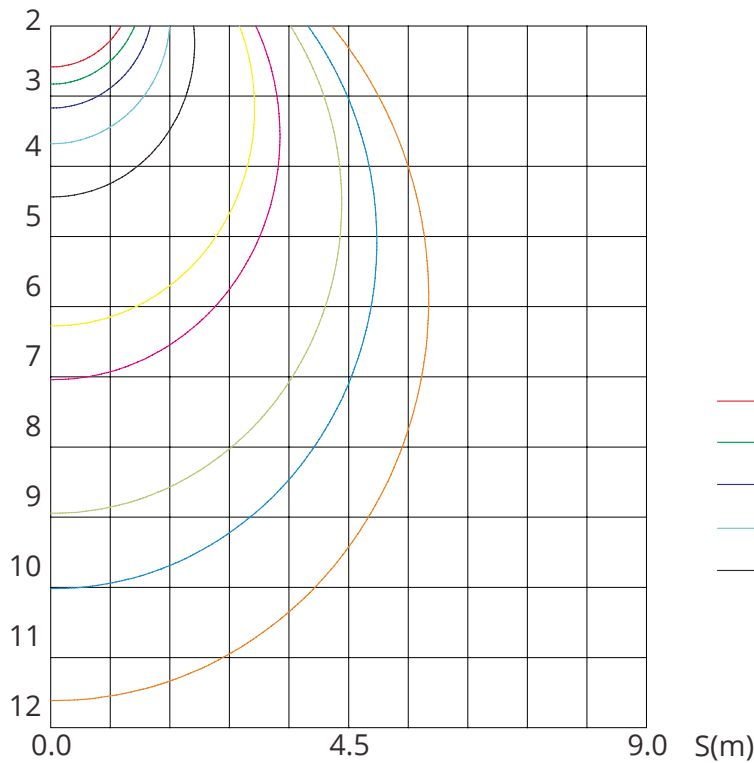
- 54.0
- 45.0
- 36.0
- 27.0
- 18.0
- 8.90
- 7.10
- 4.50
- 3.60
- 2.70

LED DOWNLIGHT

Photometric Data

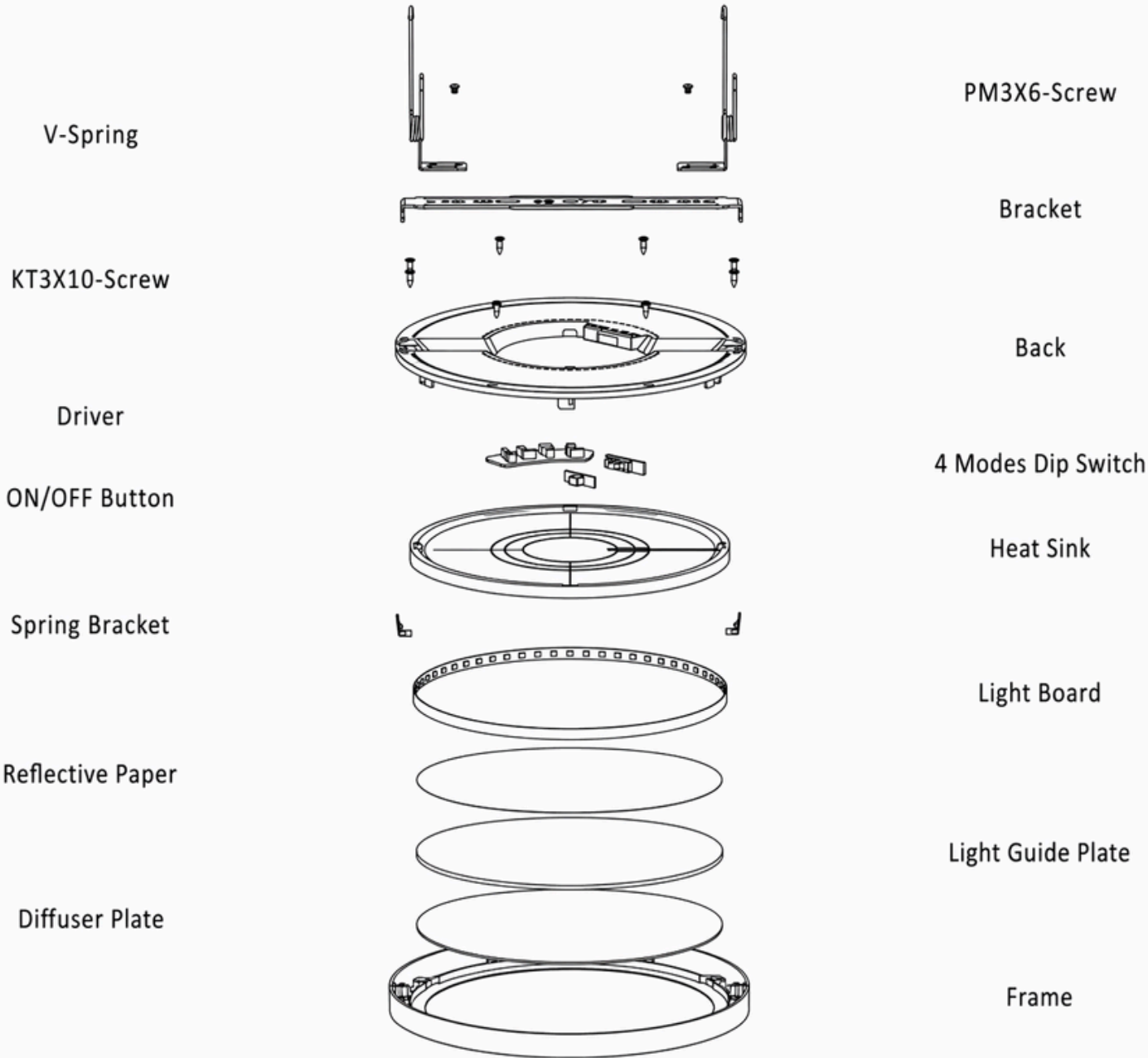


MH(m)



LED DOWNLIGHT

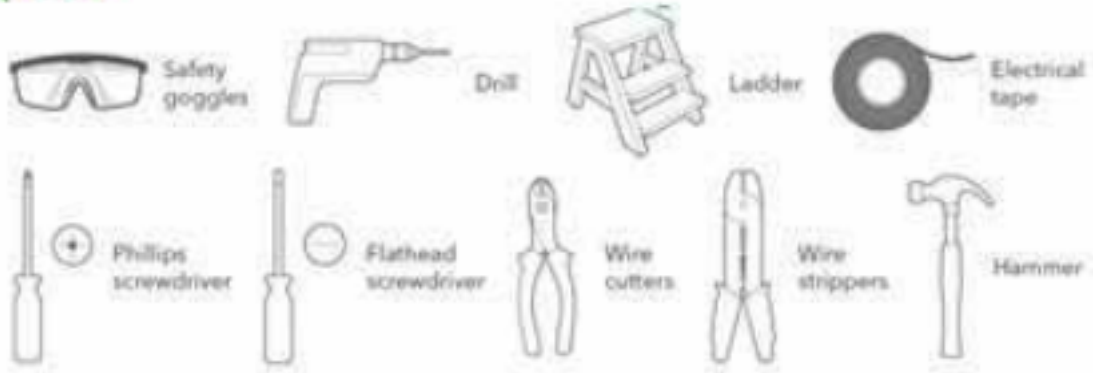
Explosive View



LED DOWNLIGHT

Pre-Installation Tools Required

Tools Required



Surface Mounted with J-box

Recessed with Can Housing



Pre-Installation Tools Required

1. Be careful to open the carton, contact us if any damage.
2. This product must be installed in accordance with the applicable installation, code by a person familiar with the construction and operation of the product and the hazards involved.
3. "Caution- the risk of shock" and "disconnect power before servicing" when photoelectric switch provided.
4. Please check whether the voltage marked on the luminaire is consistent with the input voltage to be connected, so as not to damage the LED luminaire.
- 5.5. To ensure the lifetime of the product, please do not use it in a place with strong acid mist.
6. Make sure the installation position can withstand 10 times the weight of the luminaire before installation and install it at a f

LED DOWNLIGHT

Installation Guide

For your safety, always remember to:

- Turn off the power supply at the fuse or circuit breaker box before you install the fixture.
- Ground the fixture to avoid potential electric shock to ensure reliable starting.
- Double-check all connections to be sure they are tight and correct.
- Wear rubber-soled shoes and work on a sturdy wooden ladder.
- Account for small parts and destroy packing material, as these may be hazardous to children.

This fixture is designed for use in a circuit protected by a fuse or circuit breaker. It is also designed to be installed in accordance with local electrical codes. If you are unsure about your wiring, consult a qualified electrician or local electrical inspector, and check your electrical code.

FCC STATEMENT

This device complies with part 15 of the FCC Rules. Operation is subject to the following two conditions:

(1) This device may not cause harmful interference, and (2) this

device must accept any interference received, including interference that may cause undesired operation. Note: This equipment has been tested and found to comply with the limits for a Class B digital device, according to part 15 of the FCC Rules. These limits are designed to provide reasonable protection against harmful interference in a residential installation. This equipment generates, uses and can radiate radio frequency energy and, if not installed and used in accordance with the instructions, may cause harmful interference to radio communications. However, there is no guarantee that interference will not occur in a particular installation. If this equipment does cause harmful interference to radio or television reception, which can be determined by turning the equipment off and on, the user is encouraged to try to correct the interference by one or more of the following measures: Reorient or relocate the receiving antenna. Increase the separation between the equipment and receiver. Connect the equipment into an outlet on a circuit different from that to which the receiver is connected. Consult the dealer or an experienced radio/ TV technician for help.



WARNING: RISK OF SHOCK. House electric current can cause painful shock or serious injury unless handled properly.



CAUTION: Turn off the main power at the circuit breaker before installing the fixture, on order to prevent possible shock.

NOTICE: All electrical connections must be in accordance with local and National Electrical Code (N.E.C.) standards. If you are unfamiliar with proper electrical wiring connections obtain the services of a qualified electrician.



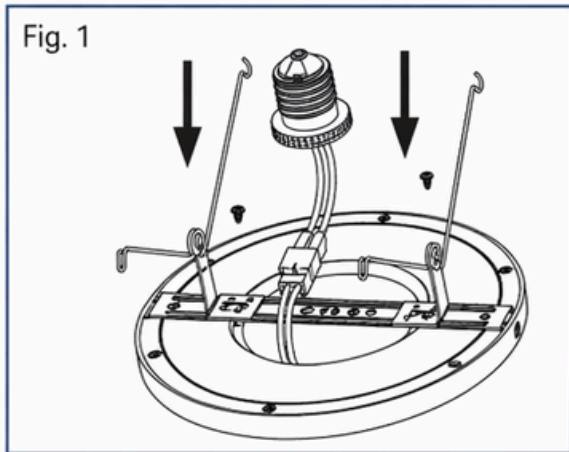
WARNING: Risk of fire. Use only on 120-volt 60Hz Suitable for damp locations. Before installing your lighting fixture, thoroughly review the enclosed installation manual. If you do not have sufficient electrical wiring experience, please refer to a do-it-yourself wiring handbook or have your fixture installed by a qualified licensed electrician. All electrical connections must be in accordance with Local and National Electrical Code (NEC) Standards. The reliable operating temperature is 0°F-120°F. If flickering occurs in low-level dimming, increase light level. Compatible with most dimmers including Leviton 6681-IW, Lutron S-600P, and Lutron DVCL-153. Dimmable to 10% with most dimmers.

LED DOWNLIGHT

5"- 6" Recessed Can Installation

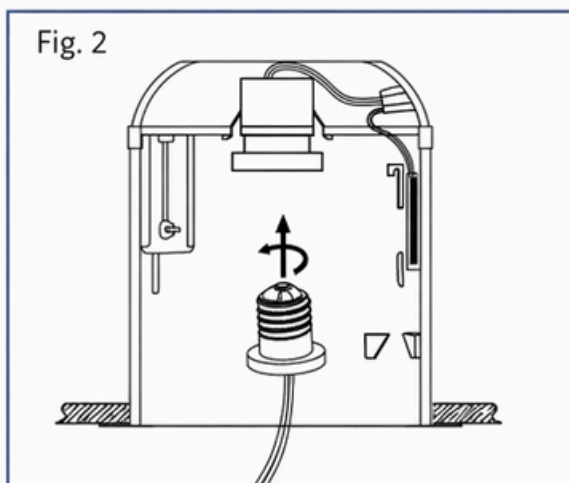
1 Turning Off The Power

- Turn the power OFF at the switch and fuse box or the circuit breaker.
- Remove the existing trim installed in the recessed housing.
- Fix bracket & E26 base to the light as per diagram.



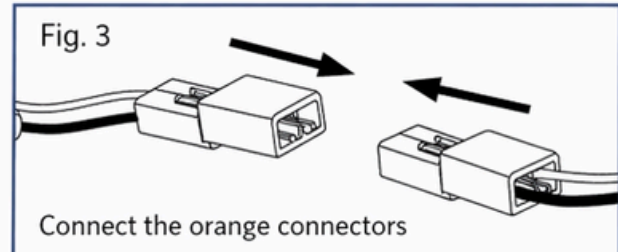
2 Installing The Adapter

- Install the E26 adapter (DD) into the socket (See Fig. 2).



3 Connecting The Terminals

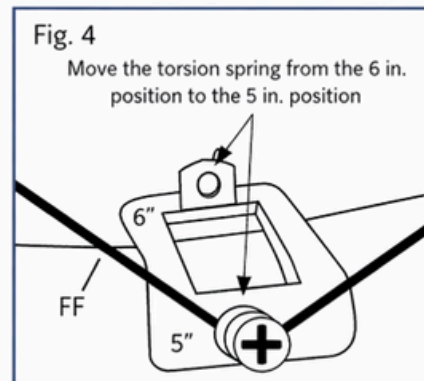
- Connect the two terminals together (See Fig. 3).



4 Adjusting The Torsion Springs

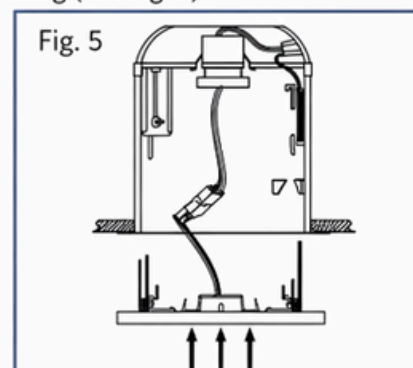
Insert the torsion springs into the fixture housing brackets

- When installing trim into a 5 in. recessed housing, the torsion spring (FF) must be moved. Unscrew the torsion spring (FF) from the 6 in. Positions and move it to the 5 in. Positions (See Fig. 4).



5 Installing The Fixture

- Gently push the fixture into the recessed housing (See Fig. 5)

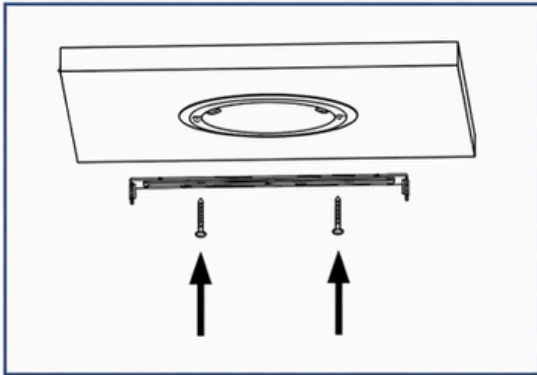


LED DOWNLIGHT

J-Box Installation

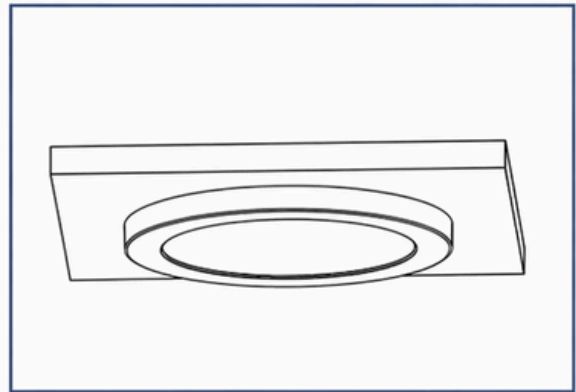
1 Turning Off The Power

- Turn the power OFF at the switch and fuse box or the circuit breaker.
- Remove the existing trim installed in the recessed housing.
- Fix the bracket on the terminal box.



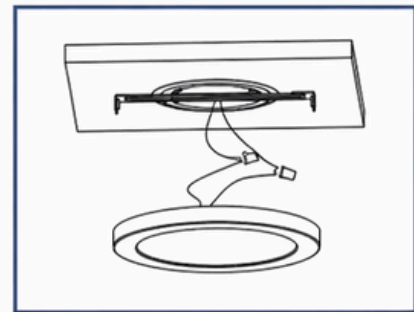
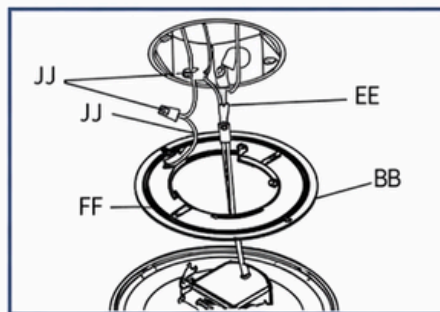
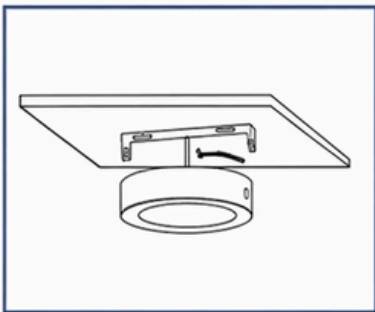
3 Installing Fixture

- Secure the fixture to the mounting bracket by pressing the fixture into the mounting bracket until the clips on the fixture engage together. Make sure the fixture is firmly locked into place.



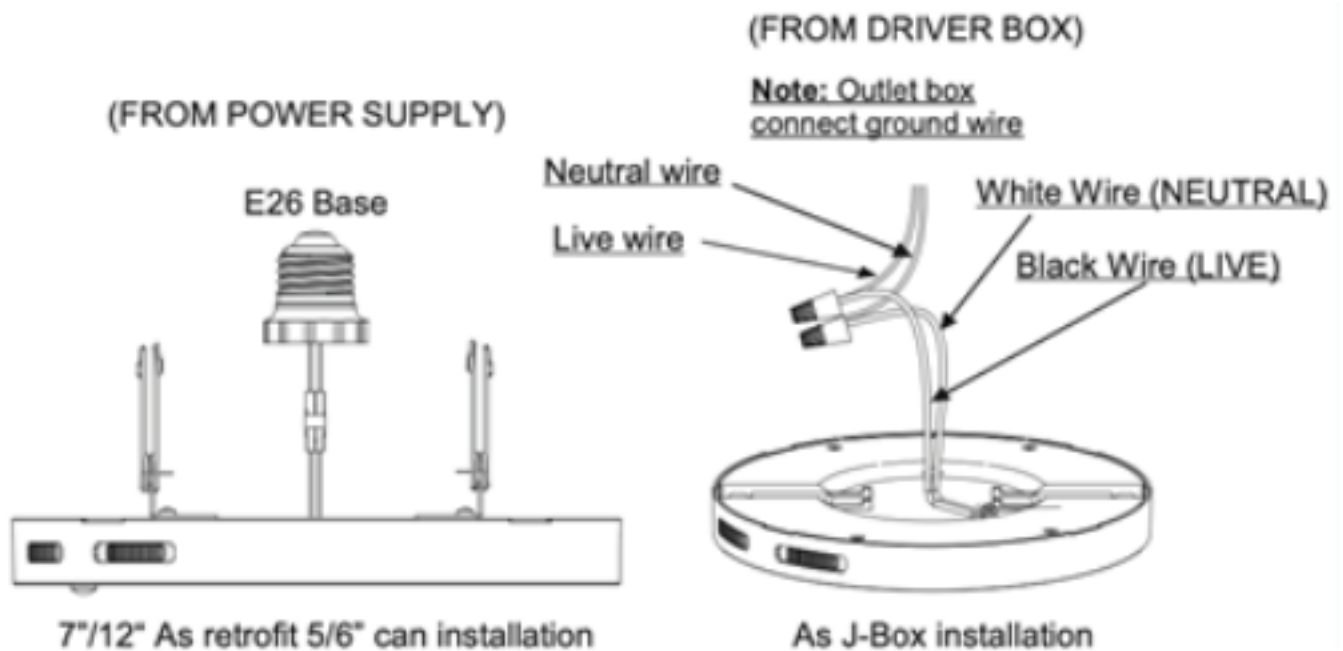
2 Identifying the wires & Installing the mounting bracket

- Fixing bracket on the terminal box
- Identify the wiring: (black - line voltage, white - neutral and green - ground)
- Use the wire nuts (JJ) to connect the stripped wires with a male connector (EE) to the two wires coming from the J-box (black-line voltage, white-neutral).
- Determine if the ground wire is inside the J-box. If not, then secure the ground wire (FF) provided to the mounting bracket (BB)



LED DOWNLIGHT

General Wiring Diagram



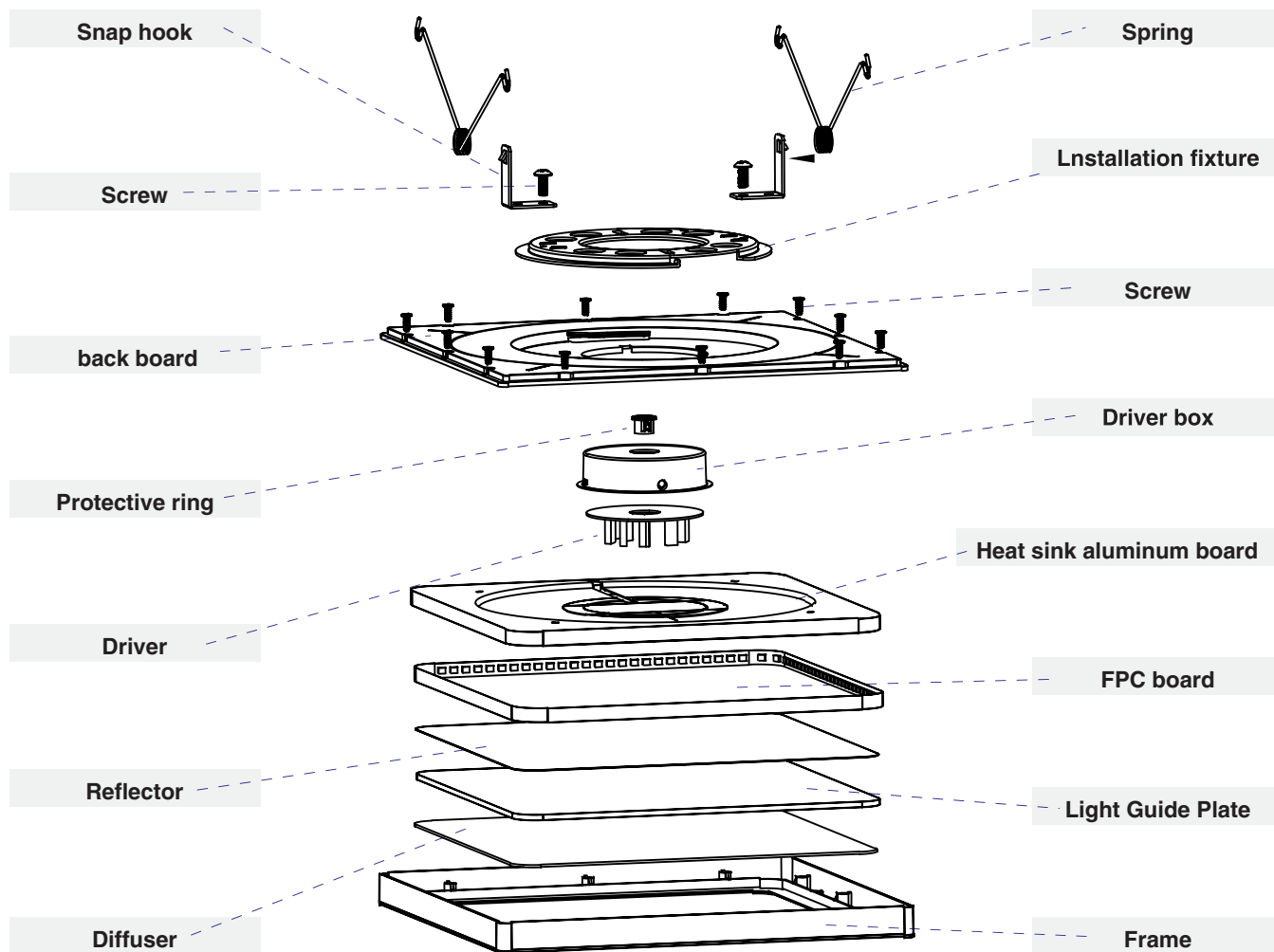
Photometric

Trouble Shooting

PROBLEM	POSSIBLE CAUSE	SOLUTION
Light will not come on	<ul style="list-style-type: none"> A. Light switch is turned o . B. Fuse is blown or circuit breaker is turned o . C. Incorrect circuit wiring. 	<ul style="list-style-type: none"> A.Turm light switch on. B. replace fuse or turn circuit braker on. C.Verify that xtcture is wired properly.

LED DOWNLIGHT

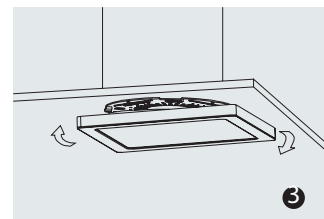
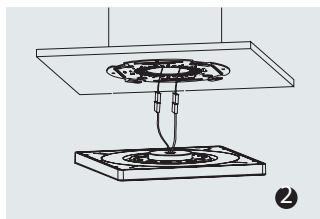
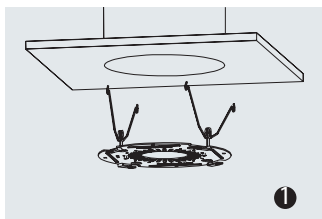
Explosive View



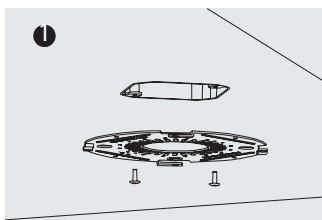
LED DOWNLIGHT

Explosive View

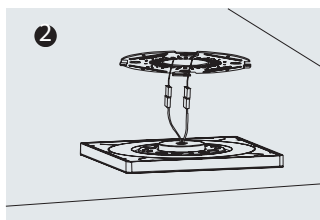
Embedded in installation



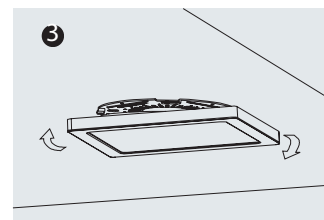
Surface mounting installation



● Fix the installation Bracket



● Connecting the wire



● Press the light to fit the bracket and Rotate clockwise

Installation Guide

IMPORTANT SAFETY INFORMATION



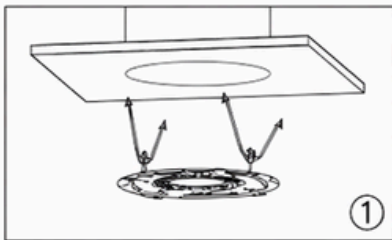
1.WARNING: RISK OF SHOCK. House electric current can cause painful shock or serious injury unless handled properly. For your safety, always remember to:

- A. Turn o the power supply at the fuse or circuit breaker box before you install the xture.
 - B. Ground the xture to avoid potential electric shocks and to ensure reliable starting.
 - C. Double-check all connections to be sure they are tight and correct.
 - D.Wear rubber soled shoes and work on a sturdy wooden ladder.
2. This xture is designed for use in a circuit protected by a fuse or circuit breaker. It is also designed to be installed in accordance with local electrical codes. If you are unsure about your wiring, consult a quali ed electrician or local electrical inspector, and check your local electrical code

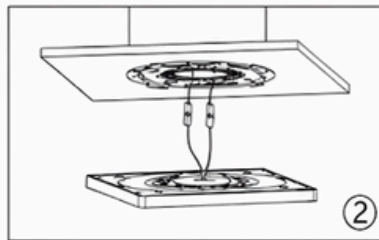
Product Specification

Size	Wattage (W)	Voltage (V)	Rated Input Frequency (Hz)	Dimension (DxH)
12 in.	24W	AC120V	50/60Hz	289x289x15mm

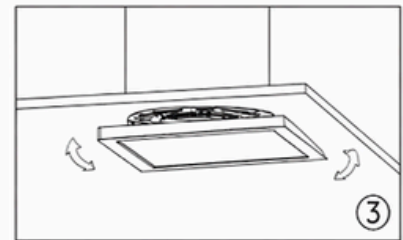
Embeded in Installation



① Fix the installation Bracket;

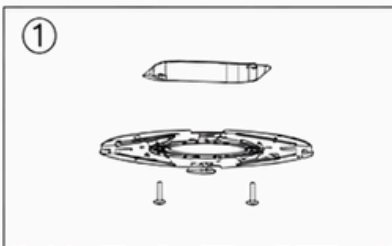


② Connecting the wire;

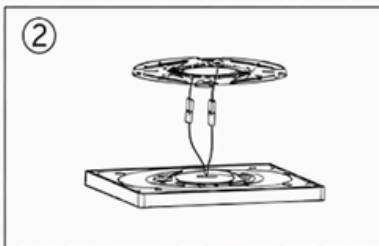


③ Press the light to fit the bracket and Rotate clockwise.

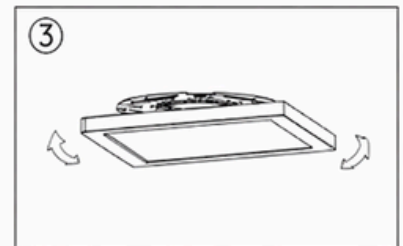
Surafece Mountinf Installation



① Fix the installation Bracket;



② Connecting the wire;



③ Press the light to fit the bracket and Rotate clockwise.

LED DOWNLIGHT

Installation Guide



3.WARNING: RISK OF CUTS. Some metal parts in the fixture may have sharp edges. To prevent cuts and scrapes, wear gloves when handling the parts.

4. Account for small parts and destroy packing material, as these may be hazardous to children.

CAUTION



1.WARNING: RISK OF FIRE. Risk of fire. Use AC120V 50/60Hz circuits.

2.Suitable for damp locations. Before installing your lighting fixture, thoroughly review enclosed installation manual. If you do not have sufficient electrical wiring experience, please refer to a do-it-yourself wiring handbook or have your fixture installed by a qualified licensed electrician. All electrical connections must be in accordance with local and National Electrical Code(NEC) standards. Reliable operating temperature is -20 to +40 degrees Celsius(-4 to +104 degrees Fahrenheit).

3.Pls obey fire prevention regulations, do not cover the fixture with any heat insulated materials.

4.Do not change the LED light source or driver inside under any circumstance.

Packaging

Inner Box Packaging List:

1x LED Panel
1x Bracket
1x Anti-drop Thread
2x Screws

Outer Box Packaging List:

4 x LED Panel (4 Unique Patterns)
4 x Bracket
4 x Anti-drop Threads
8 x Screws

Packaging

Box Type	Box Dimension	Qty	Net Weight	Gross Weight
Inner Box	13" x 1.77" x 11.54"	1 Pc/Box		
Outer Box	13.98" x 8.23" x 12.80"	4 Pc/Box		
Inner Box		1 Pc/Box		
Outer Box	14.17" x 8.90" x 14.05"	4 Pc/Box		

LED DOWNLIGHT

Shipping and Warehousing

1. Please do not shake it too much during transportation, handle carefully when unloading.
2. Recommended to be stored in a warehouse of -10~ +60 C and keep the warehouse dry

Caution

1. **WARNING:** Risk of re. Use AC 120V 50/60Hz circuits.
2. Suitable for damp locations. Before installing your lighting fixture, thoroughly review the enclosed installation manual. If you do not have sufficient electrical wiring experience, please refer to a do-it-yourself wiring handbook or have your fixture installed by a qualified licensed electrician. All electrical connections must be in accordance with local and National Electrical Code (NEC) standards. Reliable operating temperature is -50° to +40° degrees Celsius (-4-to-+104-degree Fahrenheit)

Please obey fire prevention regulations, do not cover the fixture with any heat-insulating materials.

Do not change the LED light source or driver inside under any circumstances

Warranty:
5 Years Warranty



This product is for indoor use only



For use with dimmers

Application Image

