

RETROFIT DOWNLIGHT



Lumens Depot Foam's Retrofit LED Downlight is a high-performance, energy-efficient lighting solution designed for both residential and commercial spaces. This 6" downlight features five selectable CCT options and smooth Triac dimming, allowing for fully customizable illumination to match any environment. Designed for quick and hassle-free upgrades, it includes sturdy butterfly clips for secure, tool-free installation. The flicker-free design enhances visual comfort, while the sleek white housing blends seamlessly into a variety of ceiling styles. Equipped with an E26 quick connector and junction box compatibility, installation is fast and convenient. Ideal for kitchens, living rooms, offices, retail spaces, hotel lobbies, bathrooms, and other indoor areas, this downlight delivers reliable, high-quality illumination with long-lasting performance.

Product Features

- Up to 100 lm/W
- 12 Watt
- Adjustable CCT
- Available in 6"
- Triac dimming
- 110° Beam Angle
- White housing
- Input Voltage 120VAC
- ETL listed
- 2-year warranty

RETROFIT DOWNLIGHT

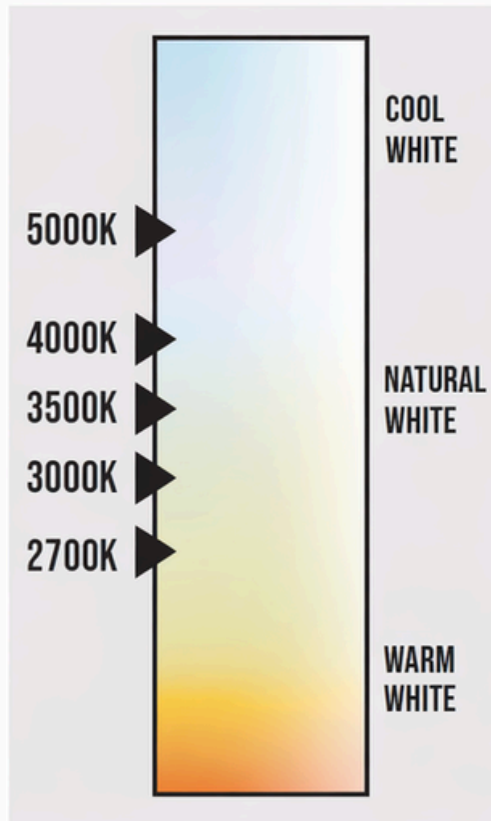
WATT	MAX LUMENS	ADJ. CCT	INPUT VOLTAGE	CRI	SIZE	LIGHT SPREAD	CONSTRUCTION	DIMMING	CERTIFICATIONS
12W	1200	2700K/3K/3500K/4K/5K	120V	>90	6"	110°	Aluminum+PC Lens	Triac	ETL

Specifications

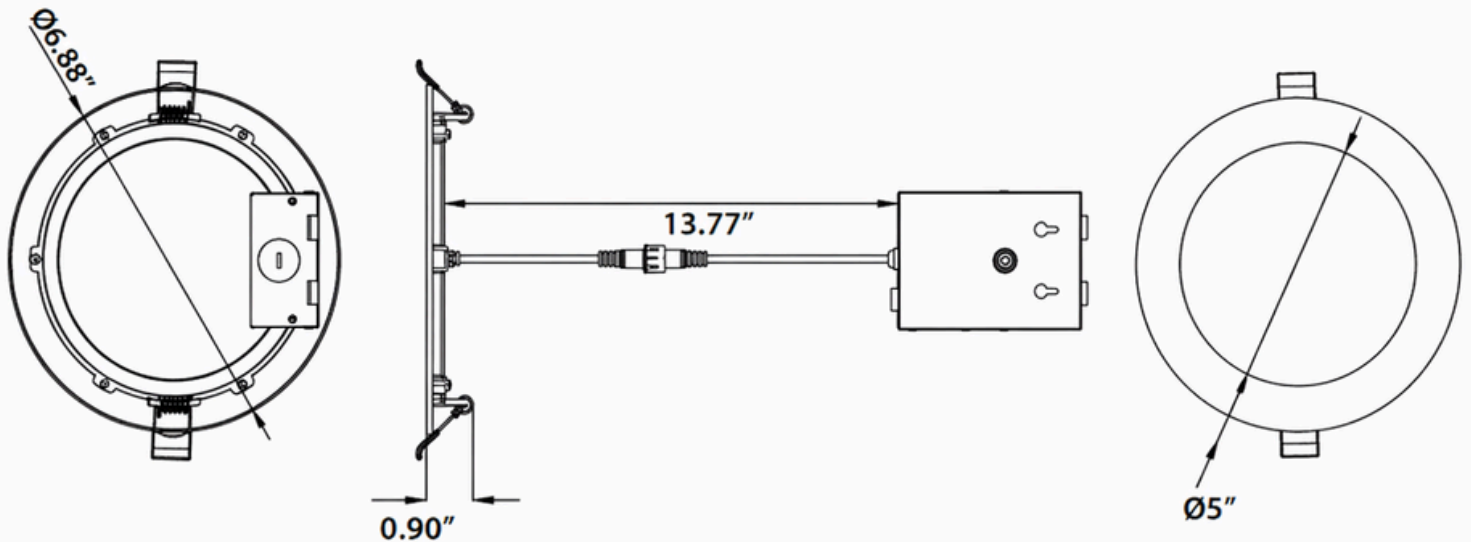
Parameter	Description	Value
General Performance	Model #	FXF01007
	Watt	12W
	Max Lumen	1200
	Lumen Efficacy	Up to 100LM/W
	Color Temperature	2700K / 3000K / 3500K / 4000K / 5000K
	CRI (Ra)	>90
	Light Spread	110o
	Diffuser Type	PC Lens
Electrical	Input Voltage	120Vac
	Frequency	50/60Hz
	Dimming	Triac Dimmable
	Power Factor	≥0.7
	Driver Surge Protection	N/A
	Flicker Percent	Flicker Free
Physical	Operating Temperature	-20°C ~ +45°C
	Operating Humidity	≤80%RH
	Storage Temperature	-20°C~65°C
	Storage Humidity	≤95%RH
	LED Brand	Everlight
	LED Type	2835
	LED QTY	48+48 PCS
	Construction	Aluminum
Qualification	Housing Color	White
	IP Rating	Damp Location
	Warranty	2 Years

RETROFIT DOWNLIGHT

Correlated Color Temperature (CCT)



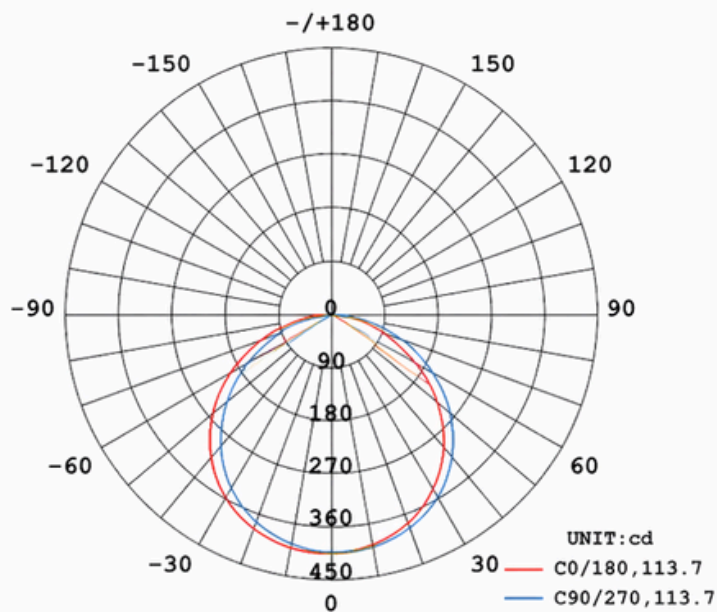
Dimensions



RETROFIT DOWNLIGHT

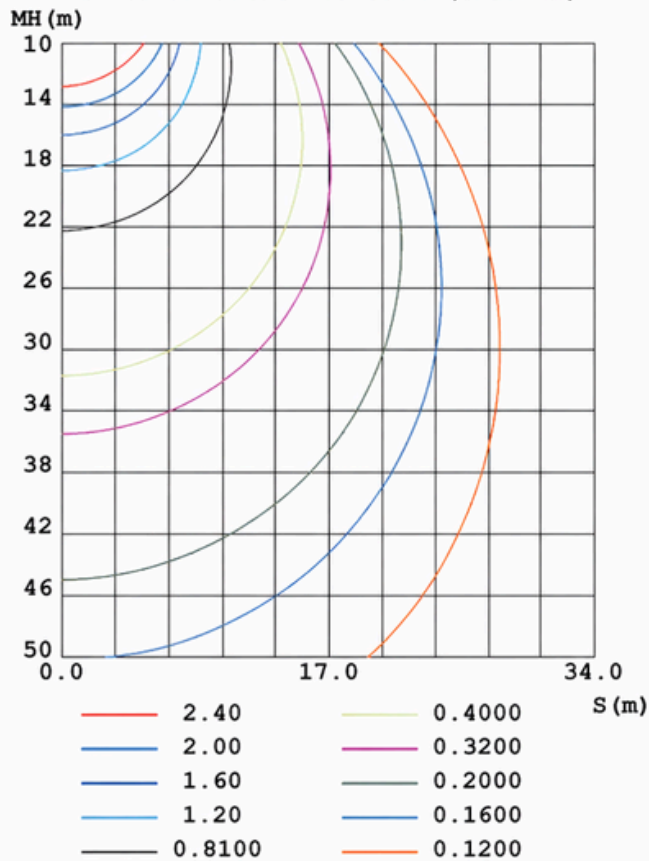
Photometric Data

LUMINOUS INTENSITY DISTRIBUTION DIAGRAM



AVERAGE BEAM ANGLE (50%) : 113.7 DEG

C0 PLANE ISOLUX DIAGRAM (UNIT:lx)



C Range: 0 - 360DEG
 C Interval: 90.0DEG
 Test Speed: HIGH
 Temperature: 25.3DEG
 Operators:
 Test Date: 24 April 2024

γ Range: 0 - 180DEG
 γ Interval: 0.5DEG
 Test System: EVERFINE GO-2000A V1 SYSTEM V2.0.350
 Humidity: 55.0%
 Test Distance: 8.852m [K=1.0000]
 Remarks:

RETROFIT DOWNLIGHT

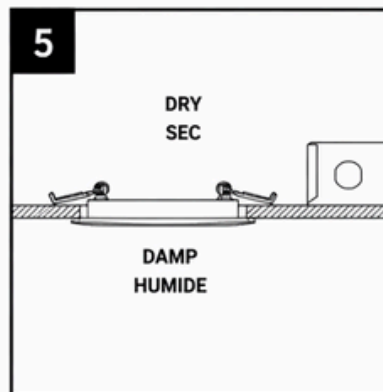
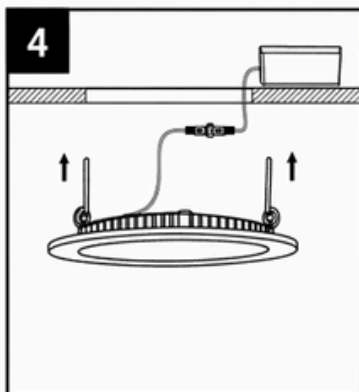
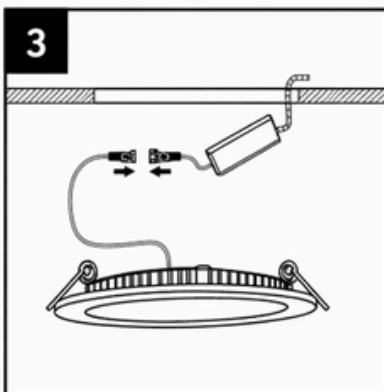
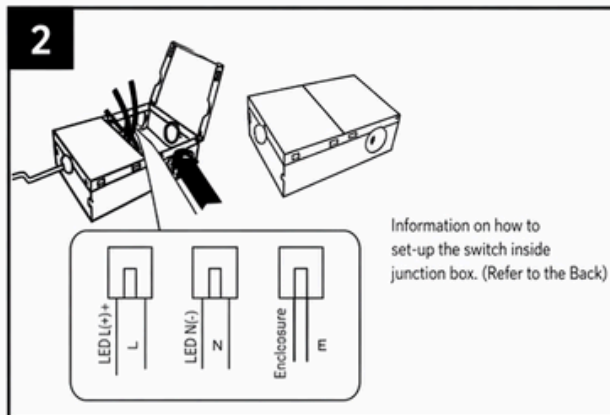
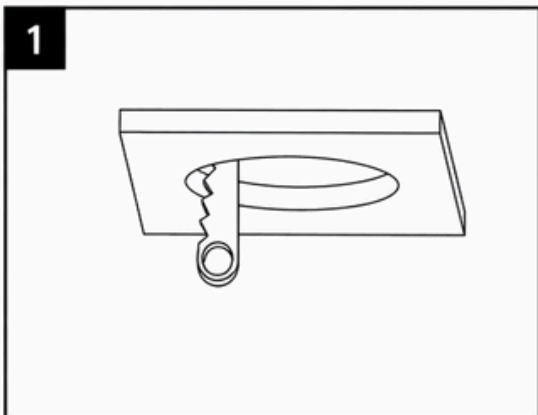
Installation

1. Turn Off power from the electrical panel prior to installation.
2. Determine the location where you want to install the fixture and cut a hole in the ceiling according to the template in the box (fig. 1).
3. Open the junction box cover and remove the appropriate knockout(s) on the side panel (fig. 2).
4. Insert the electrical supply cable through the knockout and secure with a cable connector.
5. Using quick-connect push-in terminals, connect the ground wire to the ground wire terminal; black wire to black wire terminal; white wire to white wire terminal (fig. 2).
6. Place all wiring and connections back into the junction box and close the cover. Connect the junction box to the light panel with the quick connect system.
7. Insert the junction box through the mounting hole (fig. 3).
8. Push clips on the fixture upwards and insert fixture base into the mounting hole. Release the clips and fixture will be pulled flush to the ceiling (fig. 4).



Cut - Hole Size

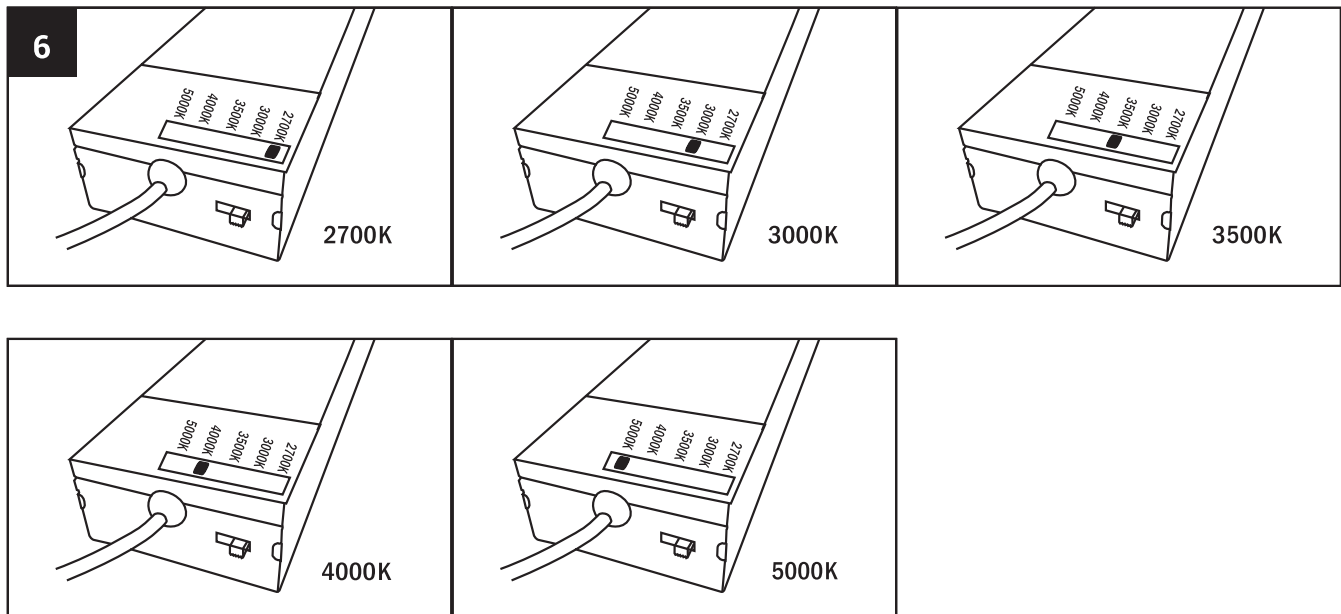
6" Round $\text{Ø} 1/4"$ ($\text{Ø} 158\text{mm}$)



RETROFIT DOWNLIGHT

Installation

Information on how to set-up the switch inside junction box



6.You can choose the temperature of the light (from soft to cold) from a switch inside the junction box and maintain that temperature

RETROFIT DOWNLIGHT

Packaging

Box Type	Box Dimension	Qty	Net Weight	Gross Weight
Inner Box	7.08" x 2.95" x 7.08"	4 Pcs/Box	1.6041LBS	1.8246LBS
Outer Box	13.19" x 7.48" x 10.82"	12 Pcs/Box	9.26LBS	10.78LBS

Application Image



RETROFIT DOWNLIGHT

Application Image

