

COMMERCIAL DOWNLIGHT



Lumens Depot Foam's Commercial-Grade Retrofit LED Downlights are innovative, feature-rich, and engineered for high-performance lighting. Designed for both retrofit and new construction applications, these fixtures offer adjustable wattage and selectable CCT, delivering up to 4000 lumens—ideal for spaces with ceiling heights of up to 16 feet.

Built for commercial environments that demand powerful and customizable illumination, they combine high efficiency with a clean white housing that complements a variety of interiors. Whether upgrading existing fixtures or installing in new projects, they provide reliable and consistent lighting performance.

Equipped with integral heat sinks for effective thermal management and 0–10V dimming capability, these downlights ensure enhanced energy efficiency while offering the flexibility to create the perfect lighting atmosphere for any setting.

Product Features

- Up to 110 lm/W
- Available in 4", 6", & 8"
- Adjustable wattage
- Adjustable CCT
- Integral heat sink
- 0-10V Dimmable
- 120° Beam Angle
- Input Voltage 120-347VAC
- White housing
- ETL & ES listed
- 5-year warranty

COMMERCIAL DOWNLIGHT

ADJ. WATT	MAX LUMENS	ADJ. CCT	INPUT VOLTAGE	CRI	SIZE	LIGHT SPREAD	CONSTRUCTION	DIMMING	CERTIFICATIONS
9W/13W/18W	2110	2700K/3K/3500K/ 4K/5K	120-347V	>80	4"	120°	Aluminum+PC	0-10V	ETL & ES
13W/19W/27W	3000	2700K/3K/3500K/ 4K/5K	120-347V	>80	6"	120°	Aluminum+PC	0-10V	ETL & ES
18W/27W/36W	4000	2700K/3K/3500K/ 4K/5K	120-347V	>80	8"	120°	Aluminum+PC	0-10V	ETL & ES

Specifications

Parameter	Description	Value
General Performance	Model #	FXF01001-A-A001
	Adjustable Watt	9W / 13W / 18W
	Max Lumens	2110
	Lumen Efficacy	Up to 110LM/W
	Color Temperature	2700K / 3000K / 3500K / 4000K / 5000K
	CRI (Ra)	>80
	Light Spread	120o
	Diffuser Type	PC Lens
Electrical	Input Voltage	120-347Vac
	Frequency	50/60Hz
	Dimming	0-10V Dimming
	Power Factor	≥0.9
	Driver Surge Protection	N/A
	Flicker Percent	<30%
Physical	Operating Temperature	-20oC to 45oC
	Operating Humidity	N/A
	Storage Temperature	-25oC to 40oC
	Storage Humidity	N/A
	LED Brand	Seoul / Everlight
	LED Type	LED Built-in
	LED QTY	48 Pcs
Construction	AL	
Qualification	Housing Color	White
	IP Rating	Damp Location
	Warranty	5 Years Warranty

COMMERCIAL DOWNLIGHT

Specifications

Parameter	Description	Value
General Performance	Model #	FXF01002-A-A001
	Adjustable Watt	13W / 19W / 27W
	Max Lumens	3000
	Lumen Efficacy	Up to 110LM/W
	Color Temperature	2700K / 3000K / 3500K / 4000K / 5000K
	CRI (Ra)	>80
	Light Spread	110o
	Diffuser Type	PC Lens
Electrical	Input Voltage	120-347Vac
	Frequency	50/60Hz
	Dimming	0-10V Dimming
	Power Factor	≥0.9
	Driver Surge Protection	N/A
	Flicker Percent	<30%
Physical	Operating Temperature	-20oC to 40oC
	Operating Humidity	N/A
	Storage Temperature	-25oC to 40oC
	Storage Humidity	N/A
	LED Brand	Seoul / Everlight
	LED Type	LED Built-in
	LED QTY	64 Pcs
Construction	AL	
Qualification	Housing Color	White
	IP Rating	Damp Location
	Warranty	5 Years Warranty

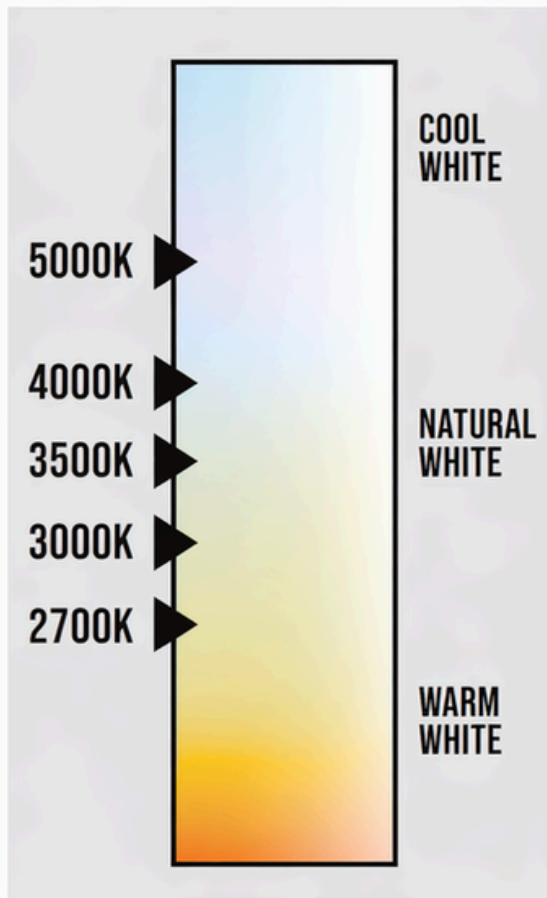
COMMERCIAL DOWNLIGHT

Specifications

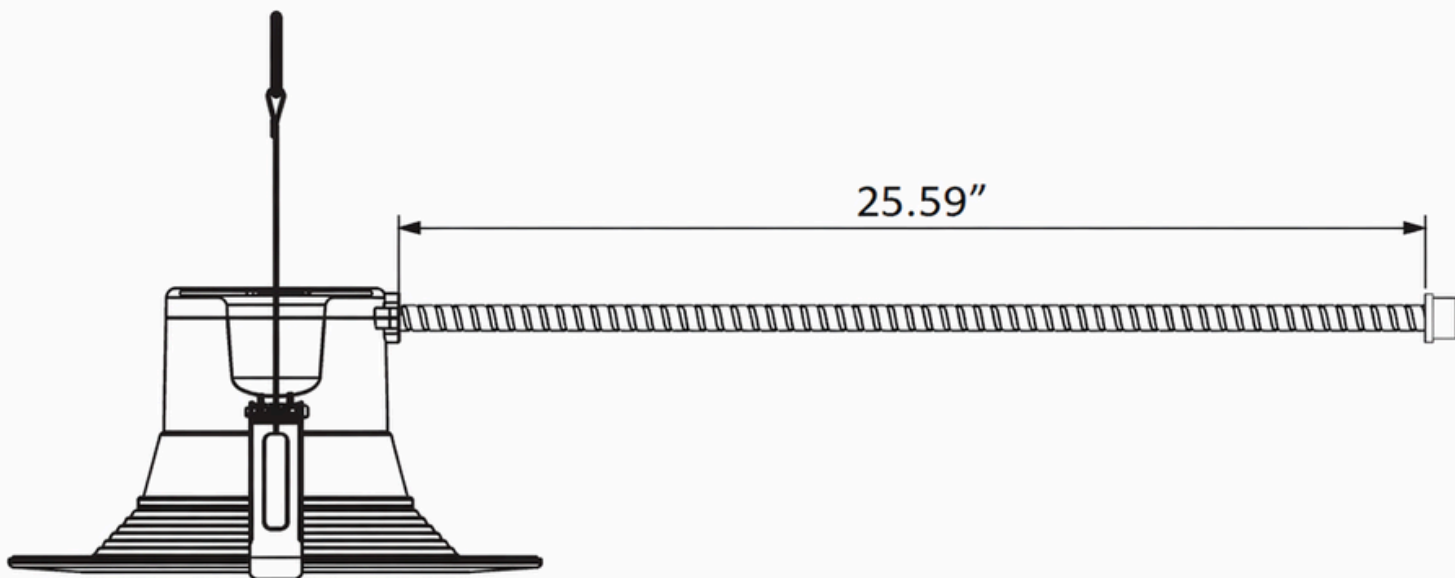
Parameter	Description	Value
General Performance	Model #	FXF01003-A-A001
	Adjustable Watt	18W / 27W / 36W
	Max Lumens	4000
	Lumen Efficacy	Up to 110LM/W
	Color Temperature	2700K / 3K / 3500K / 4K / 5K
	CRI (Ra)	>80
	Light Spread	110o
	Diffuser Type	PC Lens
Electrical	Input Voltage	120-347Vac
	Frequency	50/60Hz
	Dimming	0-10V Dimming
	Power Factor	≥0.9
	Driver Surge Protection	N/A
	Flicker Percent	<30%
Physical	Operating Temperature	-20oC to 45oC
	Operating Humidity	N/A
	Storage Temperature	-25oC to 40oC
	Storage Humidity	N/A
	LED Brand	Seoul / Everlight
	LED Type	LED Built-in
	LED QTY	80 Pcs
	Construction	AL
Qualification	Housing Color	White
	IP Rating	Damp Location
	Warranty	5 Years Warranty

COMMERCIAL DOWNLIGHT

Correlated Color Temperature (CCT)

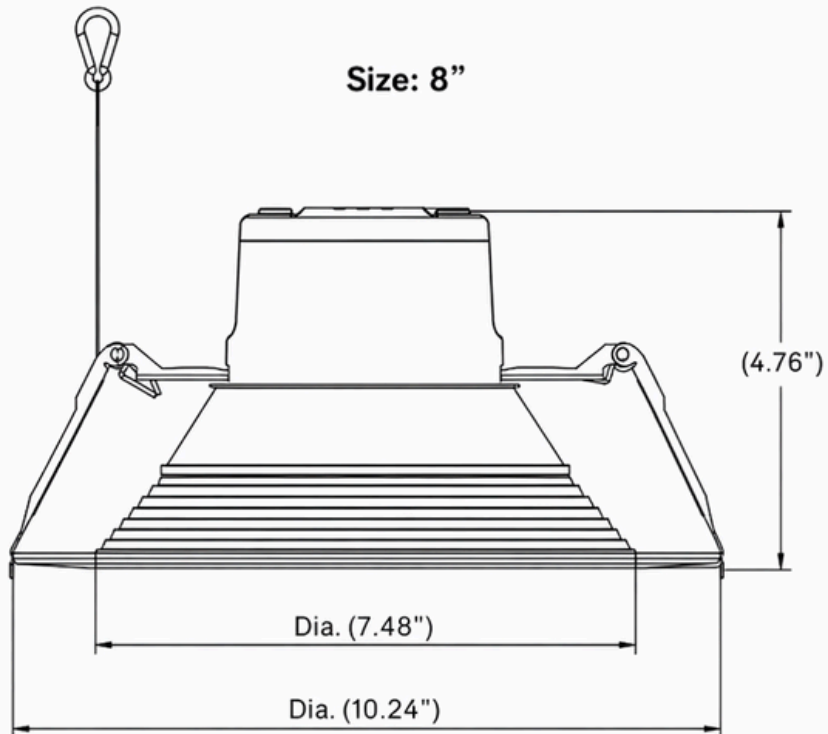
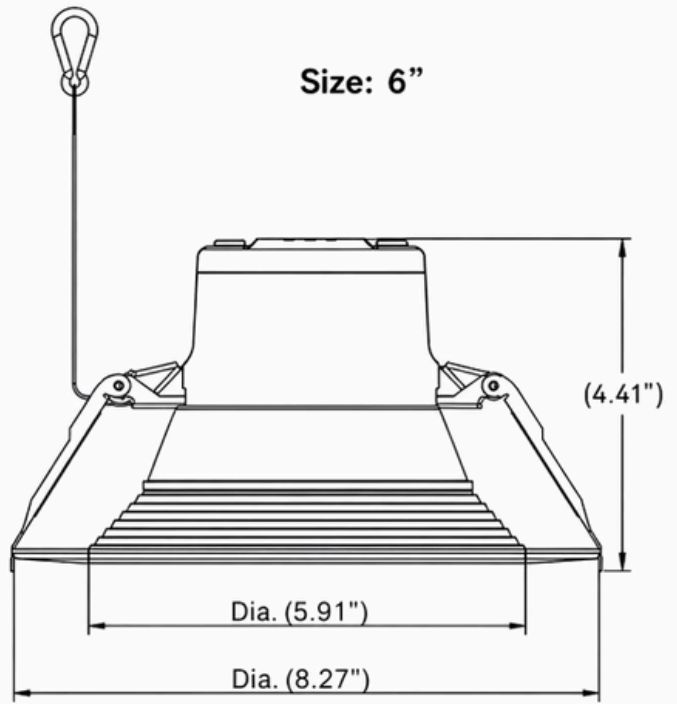
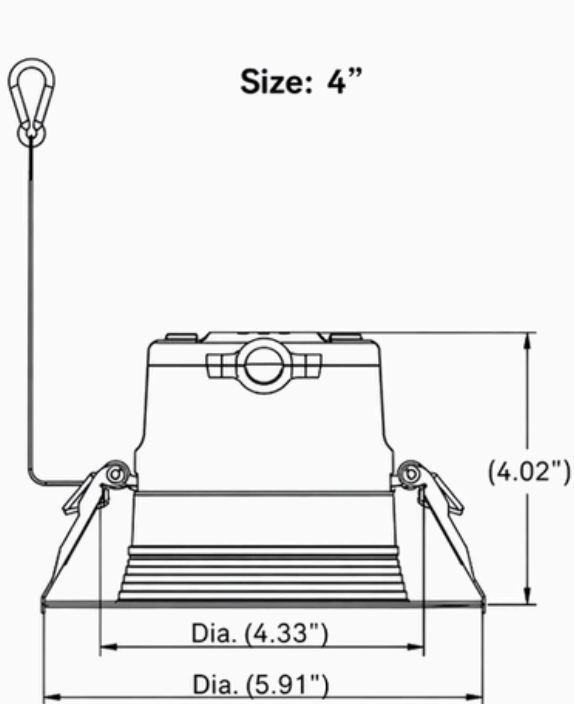


Dimensions



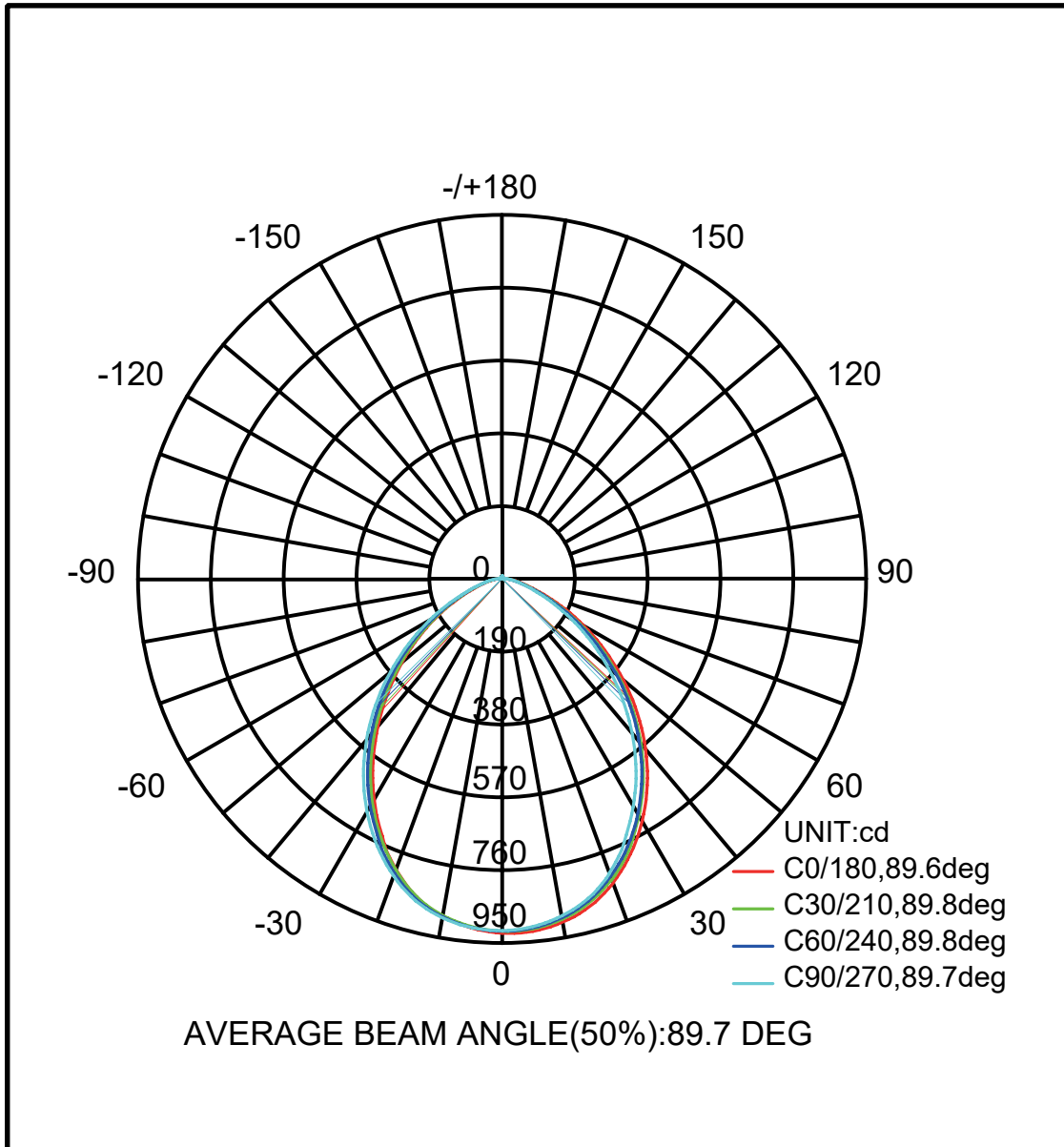
COMMERCIAL DOWNLIGHT

Dimensions



COMMERCIAL DOWNLIGHT

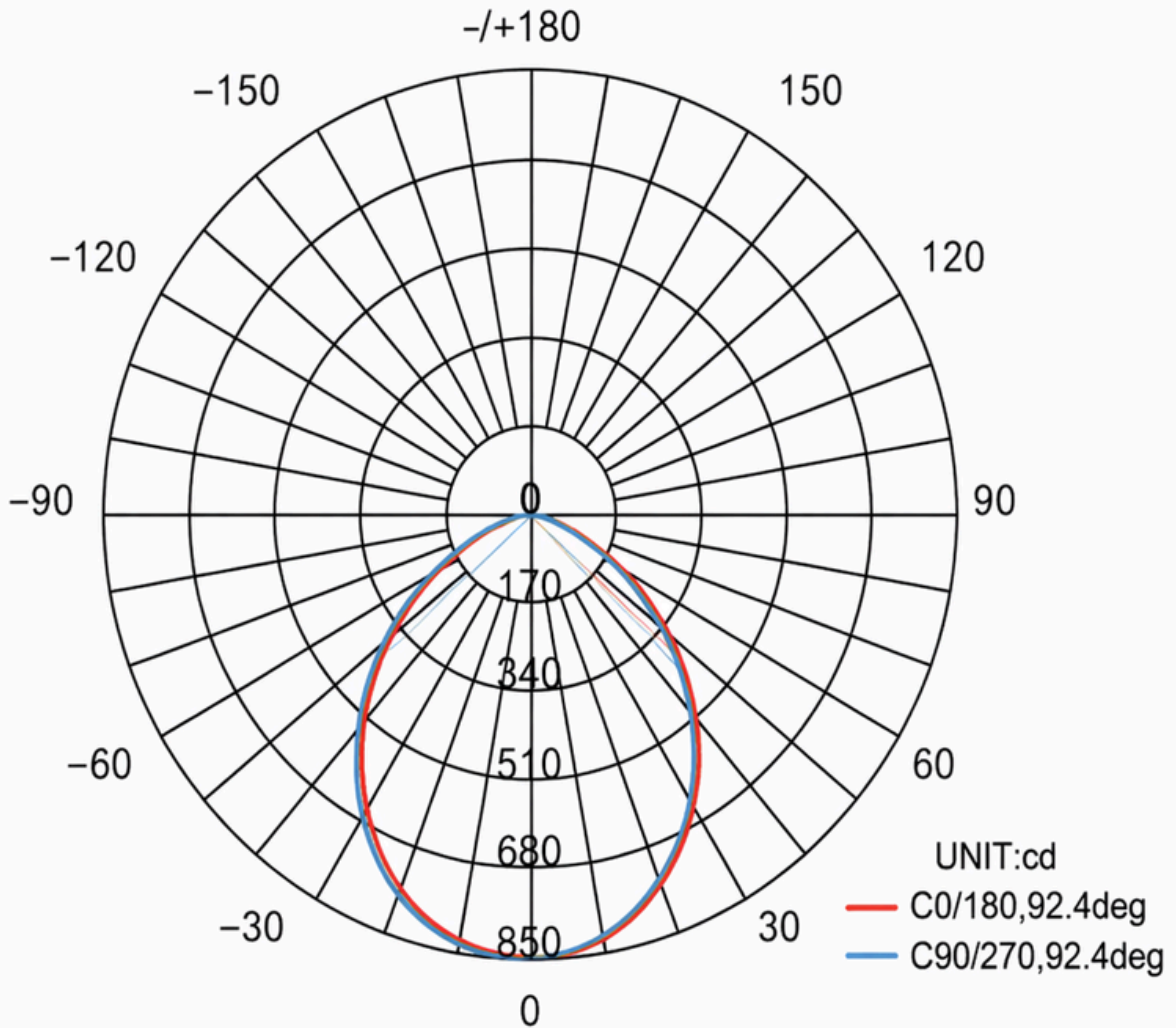
Photometric Data



COMMERCIAL DOWNLIGHT

Photometric Data

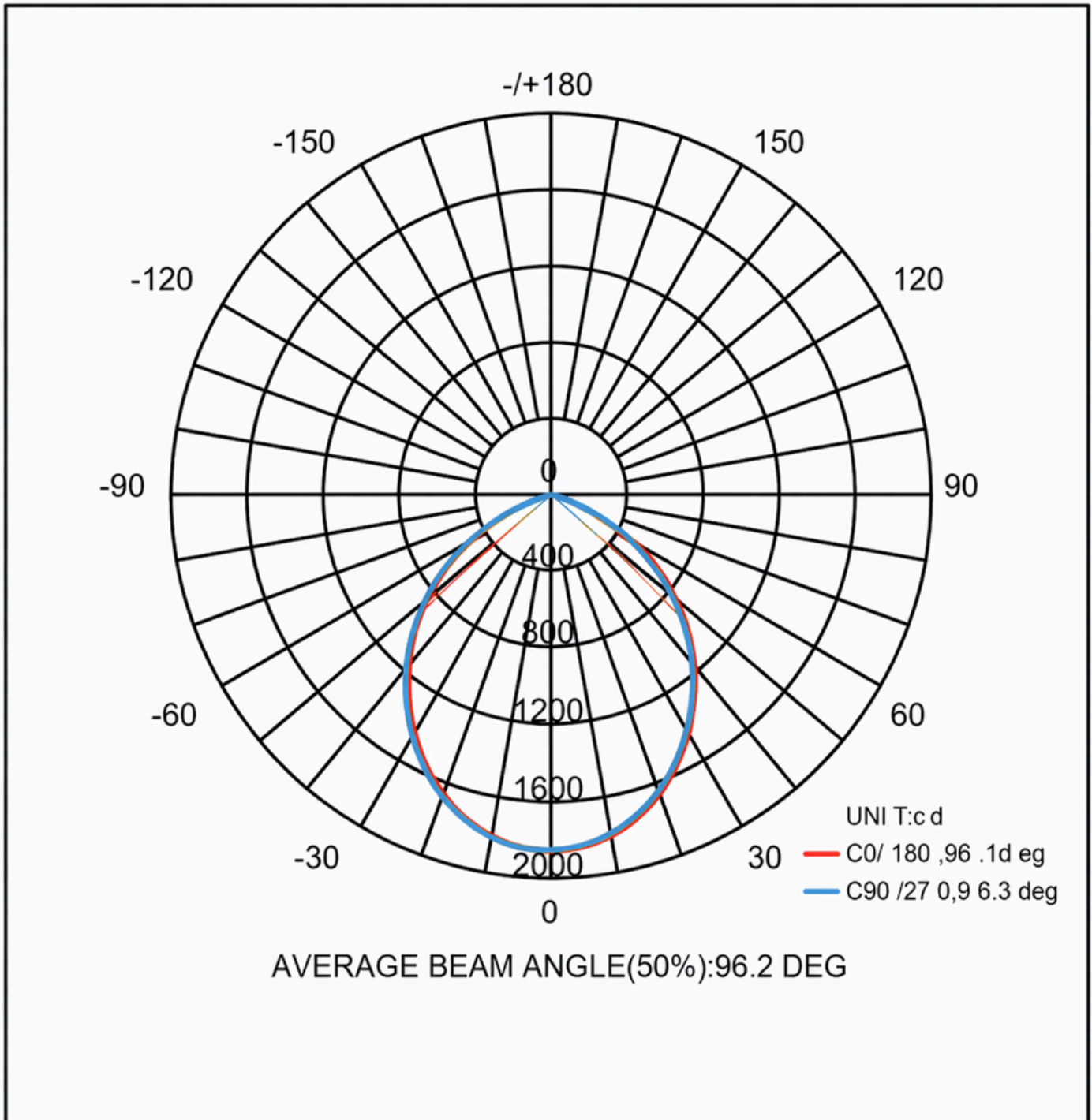
LUMINOUS INTENSITY DISTRIBUTION DIAGRAM



AVERAGE BEAM ANGLE(50%):92.4 DEG

COMMERCIAL DOWNLIGHT

Photometric Data



COMMERCIAL DOWNLIGHT

Product Structure



Multiple Power Selectable

Easily accessible switch allows selection between 3 wattages depending on output requirements.



Multiple CCT Selectable

Easily accessible switch allows selection of 5 CCT to suit a variety of environments.

COMMERCIAL DOWNLIGHT

Installation

SAFETY PRECAUTIONS:

- READ ALL INSTRUCTIONS
- WARNING - RISK OF FIRE OR ELECTRIC SHOCK. INSTALLATION REQUIRES KNOWLEDGE OF LUMINAIRE ELECTRICAL SYSTEMS. IF NOT QUALIFIED, DO NOT ATTEMPT INSTALLATION AND CONTACT A QUALIFIED ELECTRICIAN.
- WARNING - THIS PRODUCT MUST BE INSTALLED IN ACCORDANCE WITH APPLICABLE INSTALLATION CODES BY A PERSON FAMILIAR WITH THE CONSTRUCTION AND OPERATION OF THE PRODUCT AND THE HAZARDS INVOLVED.
- WARNING - INSTALL THIS KIT IN ACCORDANCE WITH THE INSTALLATION INSTRUCTIONS ACCORDING TO THE DIMENSIONS AND SUPPLY VOLTAGE AND AMPERAGE RATINGS SHOWN.
- DO NOT INSTALL THE LUMINAIRE NEAR ANY HEAT SOURCE.
- TO AVOID INJURY OR DAMAGE TO THE LUMINAIRE, PLEASE ENSURE THAT THE POWER LEADS AND SCREWS ARE SECURE BEFORE CONNECTING POWER.
- ALWAYS ENSURE THAT POWER IS OFF, AND THE LUMINAIRE HAS COOLED, BEFORE PERFORMING ANY MAINTENANCE, CLEANING, OR ADJUSTMENTS TO THE LUMINAIRE.

FCC NOTICE

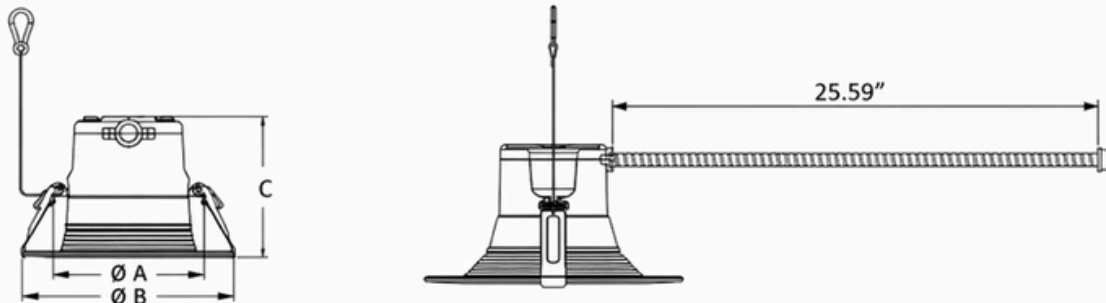
This equipment has been tested and found to comply with the limits for a Class B digital device, pursuant to Part 15 of the FCC Rules. These limits are designed to provide reasonable protection against harmful interference in a residential installation. This equipment generates, uses and can radiate radio frequency energy and, if not installed and used in accordance with the instructions, may cause harmful interference to radio communications. However, there is no guarantee that interference will not occur in a particular installation. If this equipment does cause harmful interference to radio or television reception, which can be determined by turning the equipment on and off, the user is encouraged to try to correct the interference by one or more of the following:

1. Reorient or relocate the receiving antenna.
2. Increase the separation between the lighting unit and receiver.
3. Connect the lighting unit into an outlet on a circuit other than the outlet which the receiver is connected.
4. Consult the dealer or an experienced radio/TV technician for assistance.

NOTE: Please note that changes and modifications are not expressly approved by the party responsible for compliance could void the user's authority to operate the equipment.

Conforms to standard CAN-ICES 005(B) /NMB-005 (B)

TABLE 1



PRODUCTS COVERED

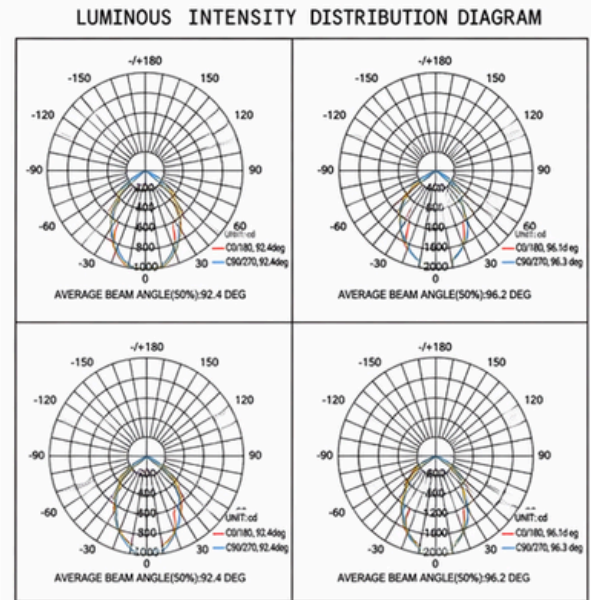
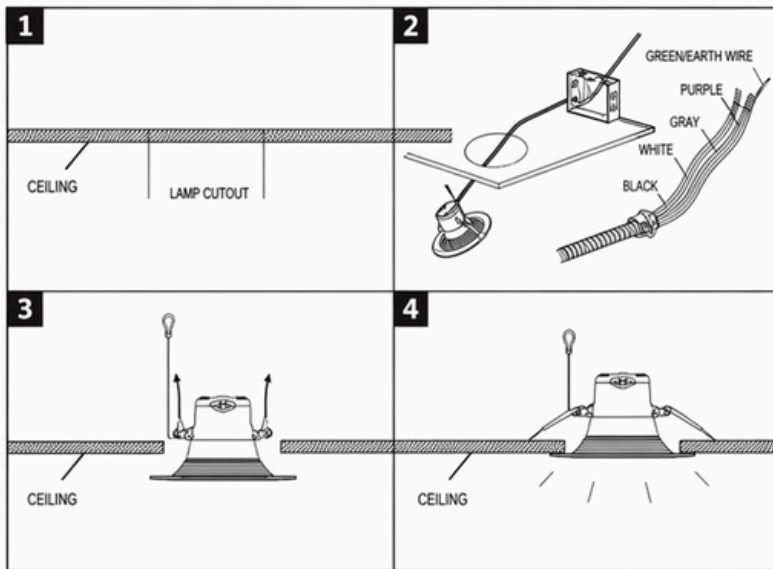
Model	CCT Adjustable	Lumen output	Wattage Adjustable	A	B	C	Min. Cutout	Max. Cutout
4" CCT	2700/3000/3500	1000/1500/2000(LM)	9W/13W/18W	4.33"	5.91"	4.02"	4.33"	5.51"
6" CCT	4000/5000(K)	1500/2000/3000(LM)	13W/19W/27W	5.91"	8.27"	4.41"	5.91"	7.48"
8" CCT		2000/3000/4000(LM)	18W/27W/36W	7.48"	10.24"	4.76"	7.48"	9.45"

COMMERCIAL DOWNLIGHT

Installation

ALWAYS TURN OFF THE POWER SUPPLY FROM MAIN CIRCUIT BREAKER FIRST!

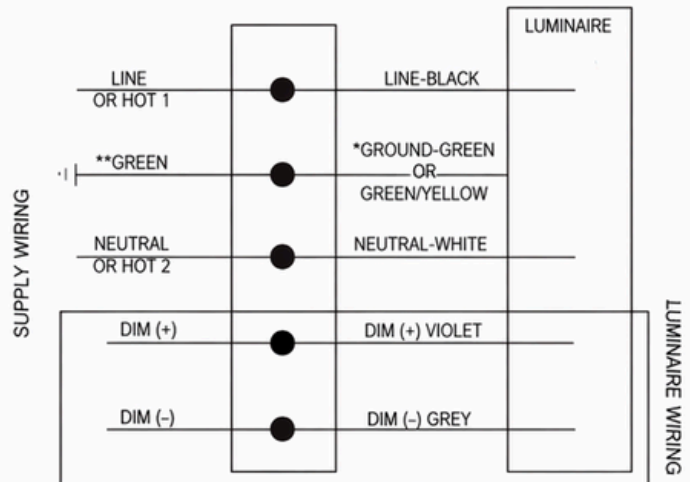
1. THERMAL RADIATION SPACE AND IRRADIATION DISTANCE MUST BE ENSURED. THE HEIGHT OF THE FIXTURE SHOULD BE NO LESS THAN 100MM. OPEN A HOLE IN CEILING ACCORDING TO CUTOUT SIZE OF THE LAMP.
2. CONNECT AC AND DC WIRES CORRESPONDINGLY AS SHOWN IN FIGURE 2.
3. BEND BACK THE SPRING CLIPS THEN PUSH THE LAMP INTO THE HOLE.
4. INSTALLATION COMPLETED. SWITCH ON.



ELECTRICAL CONNECTIONS- STANDARD LUMINAIRE

Make the following Electrical Connections:

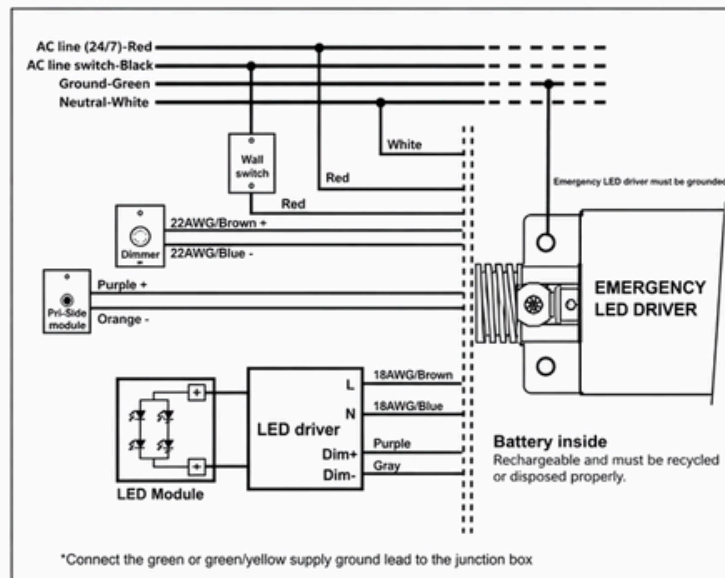
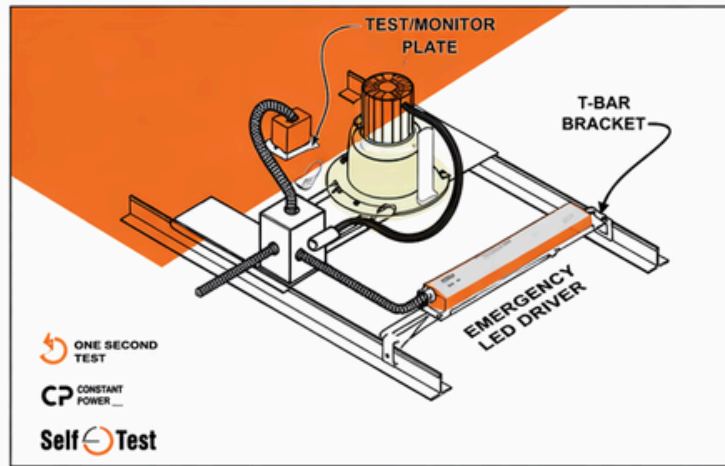
- For 120-347V connect the black fixture lead to the voltage supply or Hot 1 .
- For 120-347V connect the white fixture lead to the neutral supply or Hot 2 .
- Connect the green or green/yellow supply ground lead to the junction box
- If 0/1-10V Dimming is used, connect the violet lead to the supply positive dimming lead. If dimming is not being used ensure to cap o the violet lead. For dimming connections, use Class 1 wiring methods.
- If 0/1-10V Dimming is used, connect the grey lead to the supply negative dimming lead. If dimming is not being used ensure to cap o the grey lead. For dimming connections, use Class 1 wiring methods.



**Connect the green or green/yellow supply ground lead to the junction box

COMMERCIAL DOWNLIGHT

Wiring Diagram



Packaging

	Box Type	Size	Box Dimension	Qty	Net Weight	Gross Weight
	Inner Box	4"	7.28" X 7.25" X 4.60"	1 Pc/Box	—	—
	Outer Box	4"	15.47" x1 4.76" x 8.11"	6 Pcs/Box	—	—
	Inner Box	6"	8.46" x 8.46" x 5.03"	1 Pc/Box	1.16LBS	1.52LBS
	Outer Box	6"	26.38" x 9.29" x 11.02"	6 Pcs/Box	7.01LBS	10.07LBS
	Inner Box	8"	10.43" x 10.43" x5 .43"	1 Pc/Box	—	—
	Outer Box	8"	21.77" x 17.24" x 11.26"	6 Pcs/Box	—	—

COMMERCIAL DOWNLIGHT

Application Image

