

LED COMMERCIAL DOWNLIGHT



Lumens Depot Foam's Commercial LED Downlight is a versatile and high-performing lighting solution designed for modern commercial spaces. Featuring an innovative separable design that integrates the junction box with the housing, it offers enhanced flexibility and convenience during installation.

With a built-in junction box, this fixture eliminates the need for traditional recessed housing—simply connect it to a wall switch and install it directly into the ceiling for a clean, hassle-free setup. Designed for efficiency and ease of use, it is ideal for offices, retail environments, hotels, hospitals, and other commercial spaces that require reliable, professional-grade illumination.

Product Features

- Up to 88 lm/W
- Available in 6" & 8"
- 20 Watt
- 3000K CCT
- 0-10V Dimmable
- 90° Beam Angle
- Aluminum + Silver housing
- Input Voltage 120-347V AC
- UL & ES Listed
- 5 years warranty

LED COMMERCIAL DOWNLIGHT

Wattage	Lumens	CCT	Size	Input Voltage	Certifications
20W	1760Lm	3000K	6"	120V-347V	UL & ES
20W	1760Lm	3000K	8"	120V-347V	UL & ES

Specifications

Parameter	Description	Value
General Performance	Model #	BLT-CPS-D20W-30E
	Wattage	20W
	Lumen	1760
	Lumen Efficacy	Up to 88LM/W
	Color Temperature	3000K
	CRI (Ra)	>80
	Light Spread	90o
	Viewing Angle	65° for 4" / 70° for 6" / 75° for 8"
Electrical	Input Voltage	120-347Vac
	Frequency	50/60 Hz
	Dimming	0-10V Dimmable
	Power Factor	>0.9
Physical	THD	<20%
	Operating Temperature	-4°F - 104°F
	LED Type	SMD
Qualification	Construction	Silver
	Housing Color	High Quality Aluminum Alloy
	Warranty	5 Years

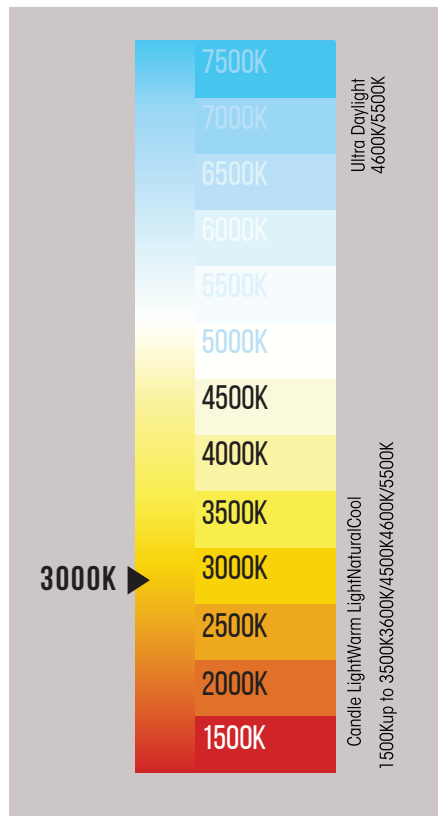
LED COMMERCIAL DOWNLIGHT

Specifications

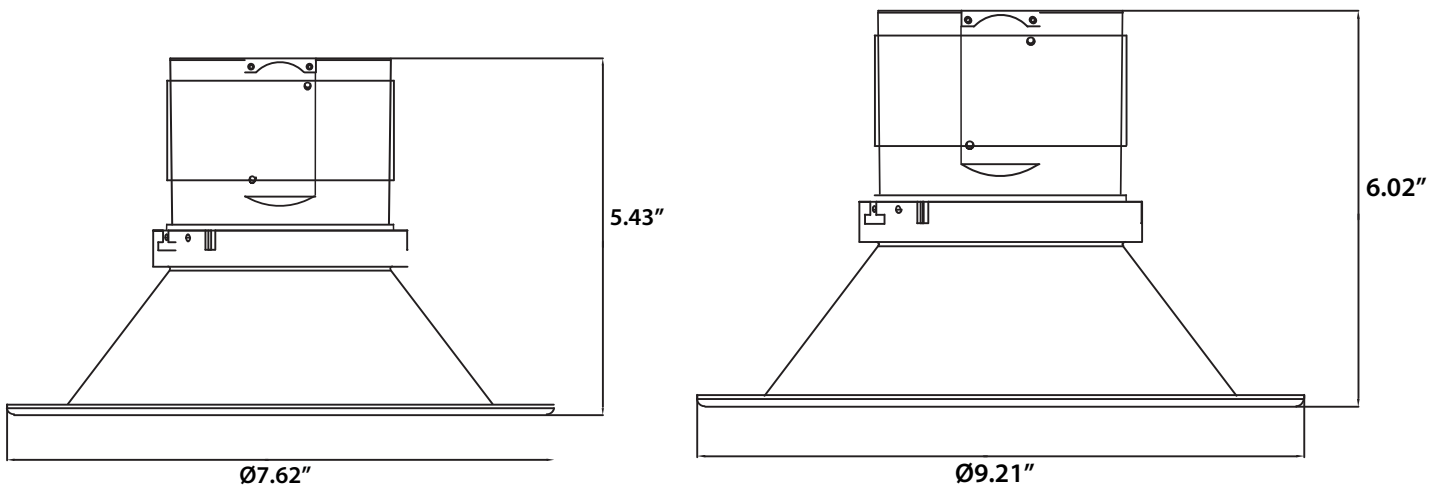
Parameter	Description	Value
General Performance	Model #	BLT-CPS-D20W-30E
	Wattage	20W
	Lumen	1760
	Lumen Efficacy	Up to 88LM/W
	Color Temperature	3000K
	CRI (Ra)	>80
	Light Spread	90o
Electrical	Viewing Angle	65° for 4" / 70° for 6" / 75° for 8"
	Input Voltage	120-347Vac
	Frequency	50/60 Hz
	Dimming	0-10V Dimmable
Physical	Power Factor	>0.9
	THD	<20%
	Operating Temperature	-4°F - 104°F
Qualification	LED Type	SMD
	Construction	Silver
	Housing Color	High Quality Aluminum Alloy
	Warranty	5 Years

LED COMMERCIAL DOWNLIGHT

Correlated Color Temperature (CCT)

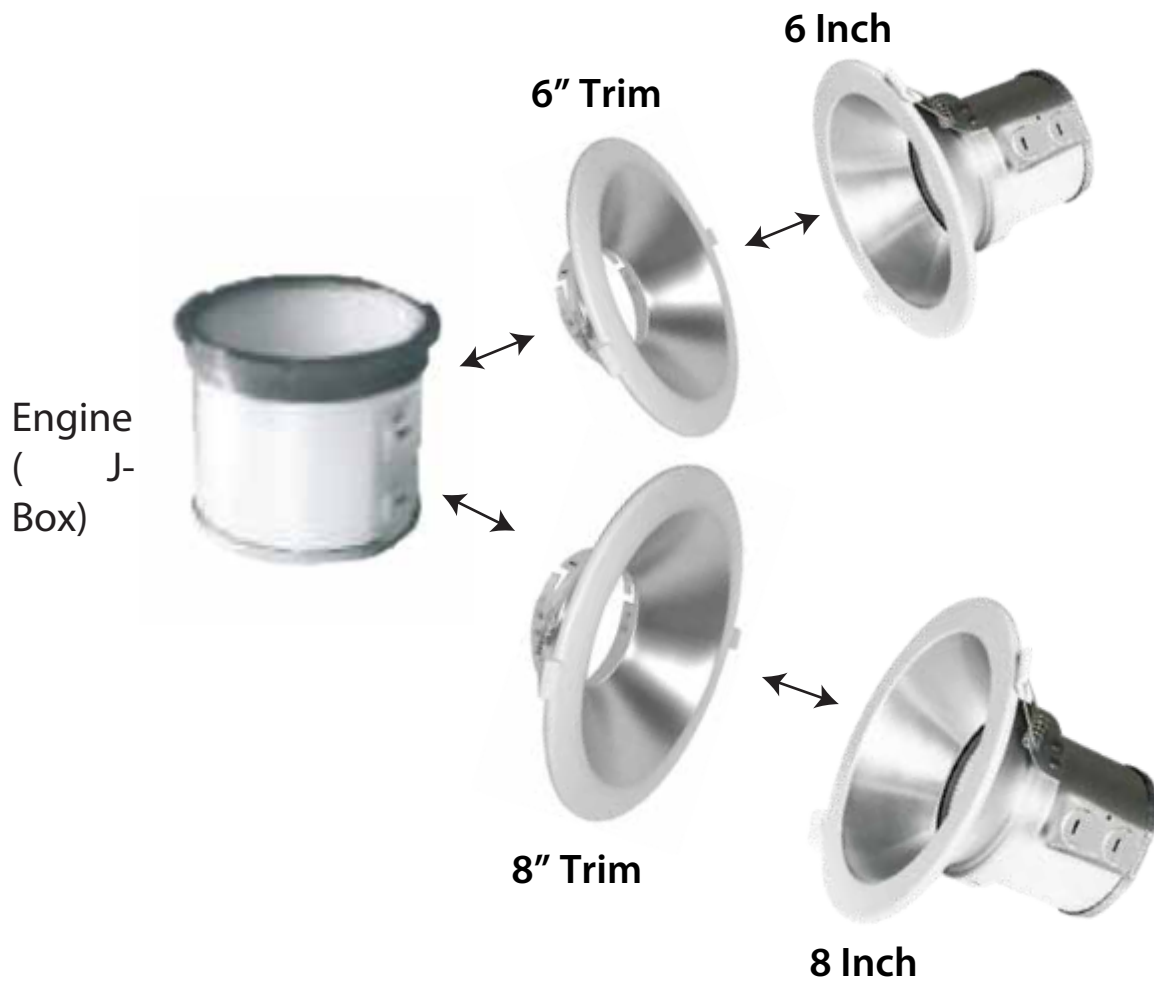
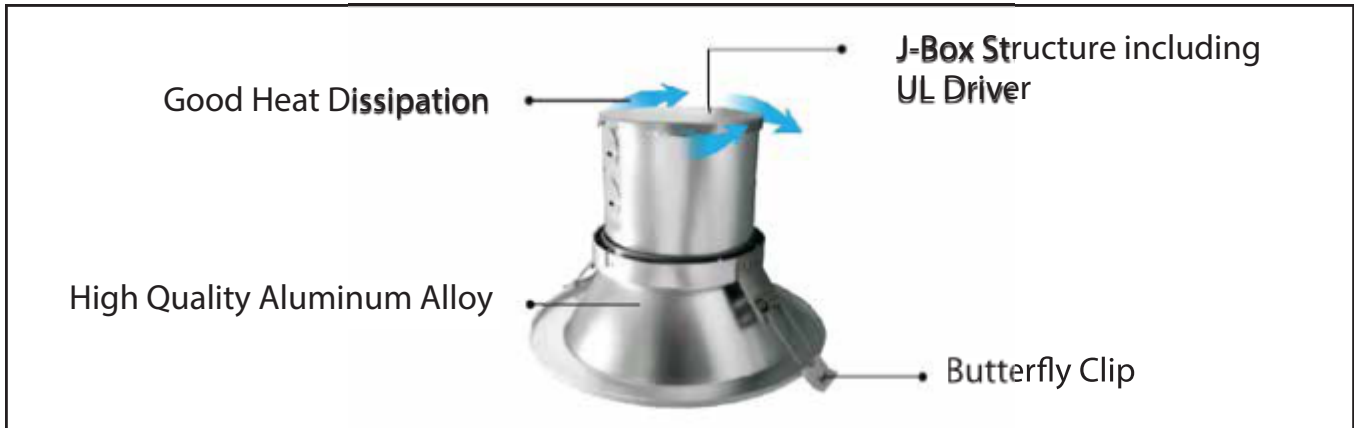


Dimensions



LED COMMERCIAL DOWNLIGHT

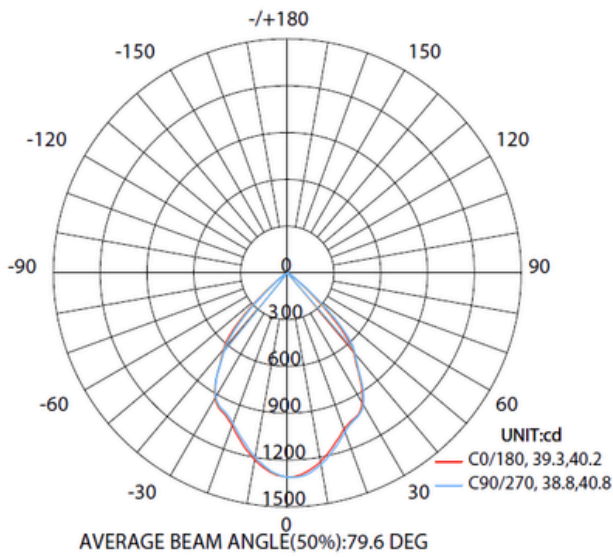
Product Appearance



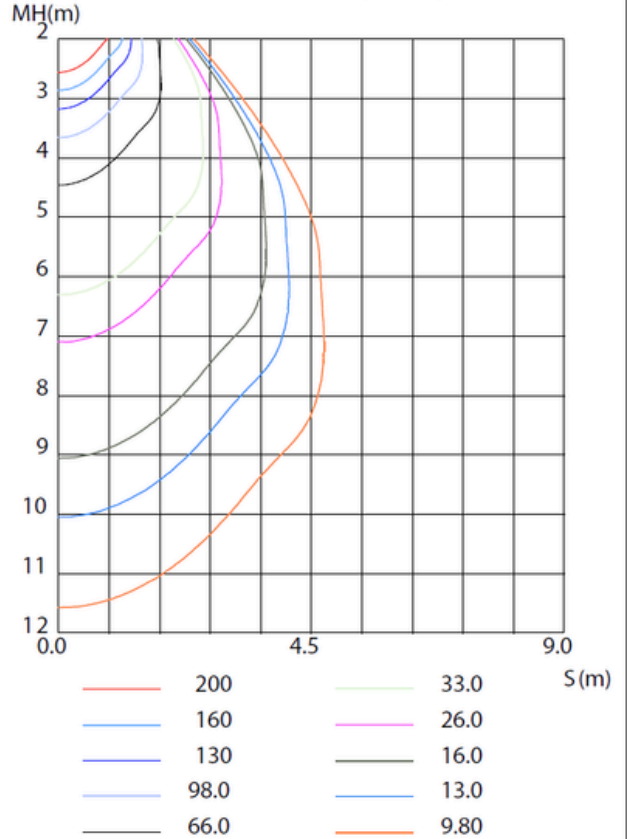
LED COMMERCIAL DOWNLIGHT

Photometric Data

LUMINOUS INTENSITY DISTRIBUTION DIAGRAM



C0 PLANE ISOLUX DIAGRAM (UNIT:lx)



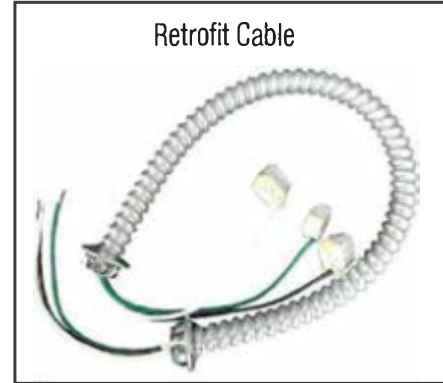
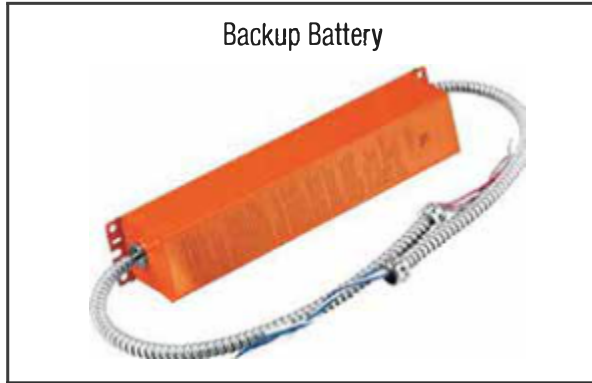
C Range: 0 - 360DEG
 C Interval: 22.5DEG
 Test Speed: HIGH
 Temperature:27.3DEG
 Operators:Leo
 Test Date:2017-07-23

γ Range: 0 - 180DEG
 γ Interval: 1.0DEG
 Test System:EVERFINE GO-R5000_V2 SYSTEM V2.0.284
 Humidity:44.8%
 Test Distance:1.900m [K=1.1972]

Remarks:

LED COMMERCIAL DOWNLIGHT

Battery Specifications



Battery Specifications

OUTPUT POWER	18W(Max)	25W(Max)
INPUT POWER	6W(Max)	6W(Max)
OUTPUT VOLTAGE	170VDC{ Equivalent 120VAC}	
INPUT VOLTAGE	100-277 VAC, 50-60Hz	
EMERGENCY OPERATIONS	>90 minutes	
OPERATING TEMP	32° F to 122° F	
BATTERY	High Temp Nickel-Cadmium 48 Hour Recharge 7-10 Year Life Expectancy	

LED COMMERCIAL DOWNLIGHT

Application Image

