

LED FLUSH MOUNT CEILING FIXTURE



Beyond LED Technology's TURBO LED Flush Mount Ceiling Fixture provides a sleek, modern lighting solution, designed for seamless installation in both commercial and residential spaces. This 16-inch flush mount light features adjustable wattage and CCT options, offering versatility and energy efficiency while complementing any décor. The frosted polycarbonate lens ensures soft, uniform illumination, providing comfortable lighting for a wide range of settings. The brushed nickel stainless steel finish adds a contemporary touch, enhancing the aesthetic appeal of any room. Whether you're upgrading your home or outfitting a commercial space, the TURBO LED Flush Mount Ceiling Fixture provides reliable and stylish lighting with the flexibility to meet your specific needs.

Product Features

- Up to 75 lm/W
- Adjustable wattage
- Adjustable CCT
- 110° Beam Angle
- Triac dimming
- Brushed nickel housing
- Input Voltage 120VAC
- ETL listed
- 5-year warranty

LED FLUSH MOUNT CEILING FIXTURE

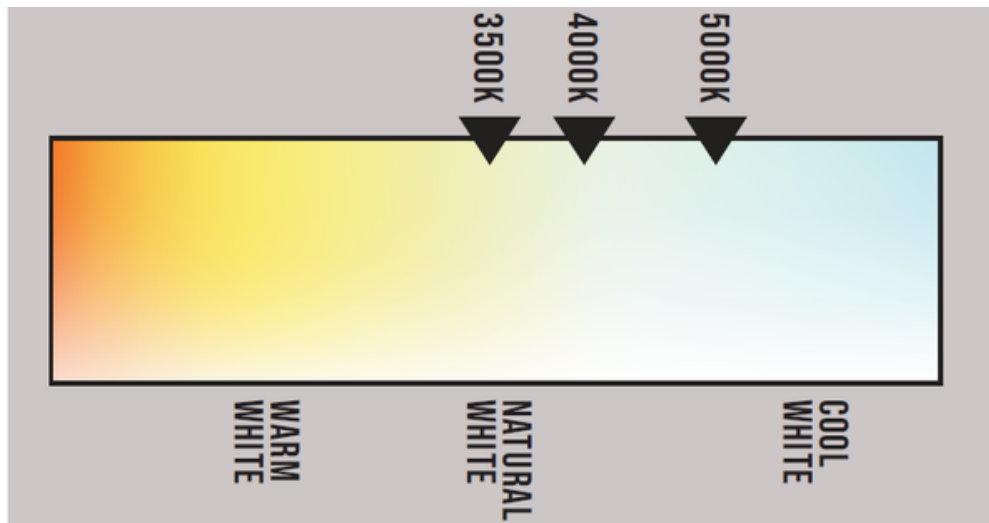
ADJ. WATT	MAX LUMENS	ADJ. CCT	INPUT VOLTAGE	CRI	SIZE	LIGHT SPREAD	CONSTRUCTION	DIMMING	CERTIFICATIONS
16W/22W/30W	2250	2700K/3K/3500K/ 4K/5K	120V	>80	16"	110°	Stainless Steel+ PC Frosted Lens	Triac Dimmable	ETL

Specifications

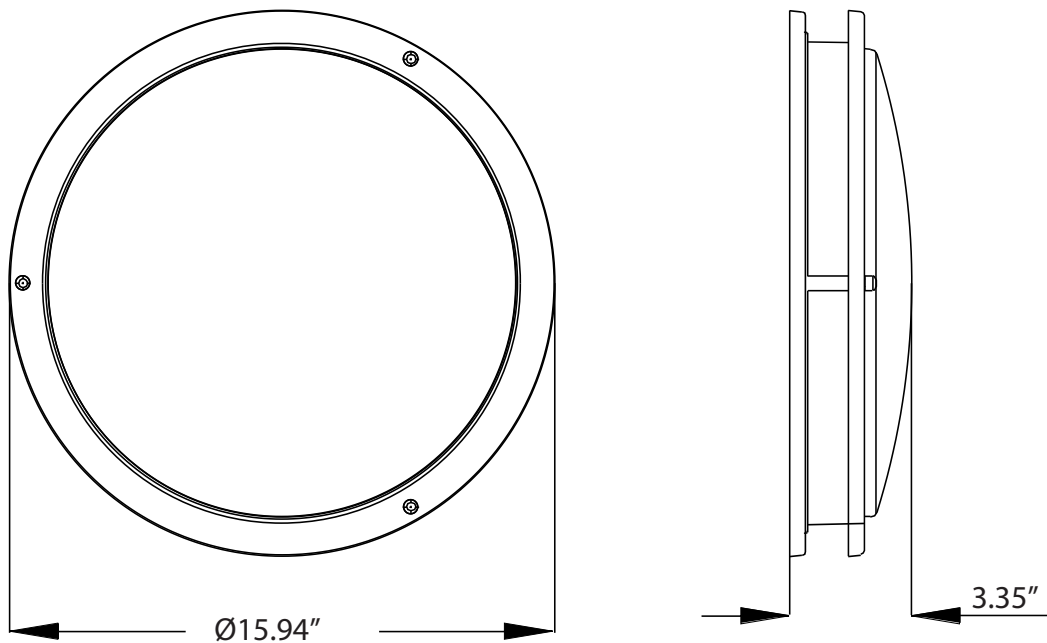
Parameter	Description	Value
General Performance	Model #	FXF23004
	Adjustable Watt	16W / 22W / 30W
	Max Lumens	2250
	Lumen Efficacy	Up to 75LM/W
	Color Temperature	2700K / 3000K / 3500K / 4000K / 5000K
	CRI (Ra)	>80
	Light Spread	110°
	Diffuser Type	Frosted Polycarbonate Lens
Electrical	Input Voltage	120Vac
	Frequency	50/60Hz
	Dimming	Triac Dimmable
	Power Factor	>0.9
	Flicker Percent	30%
Physical	Operating Temperature	-20°C-40°C
	Operating Humidity	<75%RH
	Storage Temperature	20°C-30°C
	Storage Humidity	<60%RH
	LED Brand	Lumileds
	LED Type	2835
	LED QTY	84 PCS
Construction	Metal	
Qualification	Housing Color	Brushed Nickel
	IP Rated	DAMP
	Warranty	5 Year Limited

LED FLUSH MOUNT CEILING FIXTURE

Correlated Color Temperature (CCT)

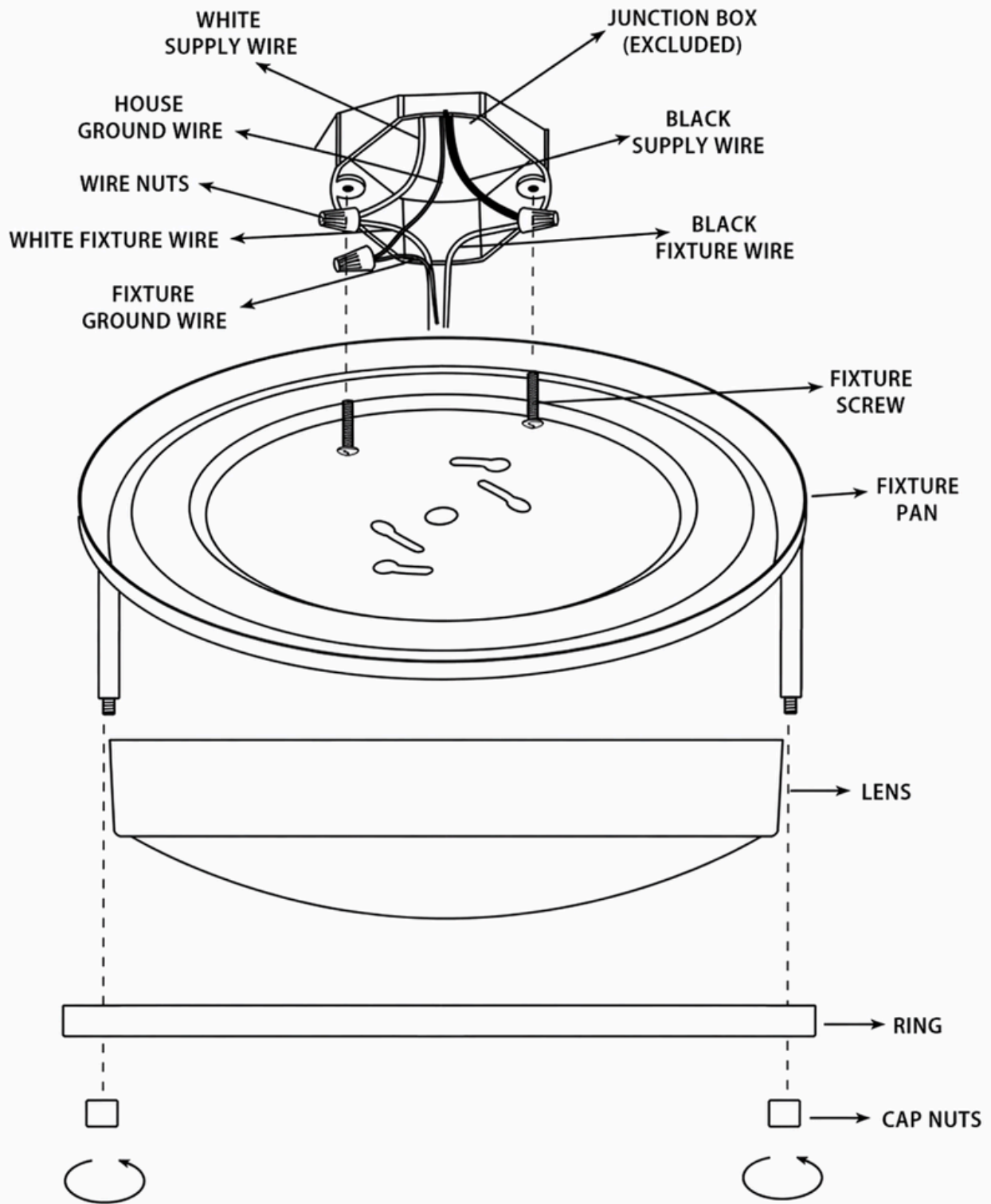


Dimensions



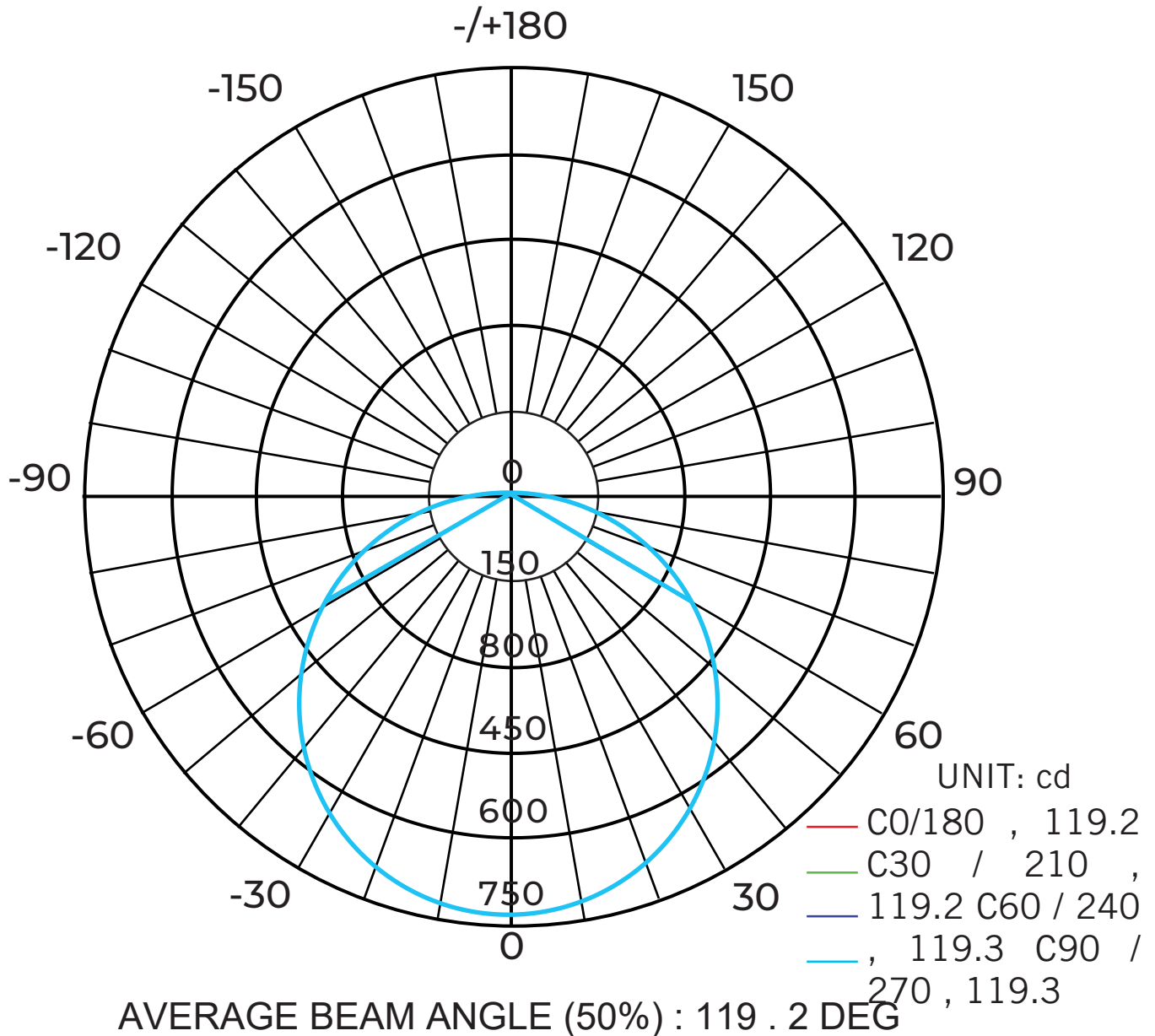
LED FLUSH MOUNT CEILING FIXTURE

Product Appearance



LED FLUSH MOUNT CEILING FIXTURE

Photometric Data



LED FLUSH MOUNT CEILING FIXTURE

Installation

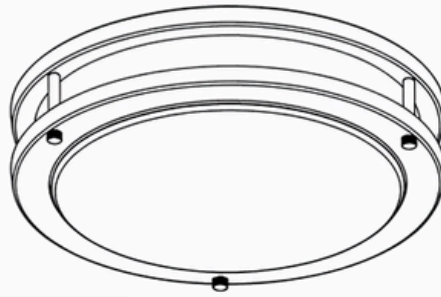
PLEASE READ AND UNDERSTAND THIS ENTIRE MANUAL BEFORE ATTEMPTING TO ASSEMBLE, OPERATE OR INSTALL THE PRODUCT.



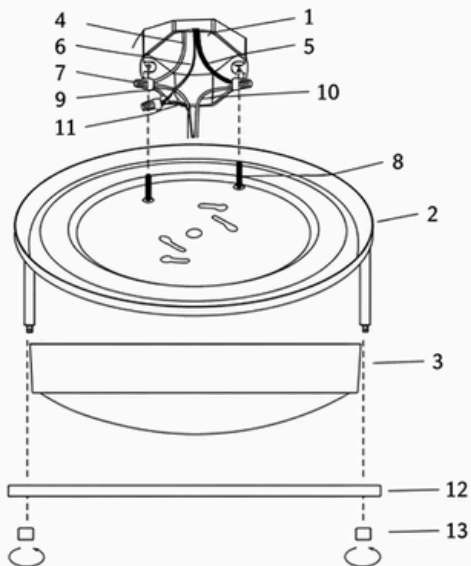
WARNING: Avoid fire or electric shock. Follow installation instructions carefully. If unsure about electrical installation, consult a qualified electrician. Wear rubber-soled shoes and work on a sturdy wooden ladder. Ground fixture to avoid potential electric shock. Handle metal parts carefully to prevent cuts. To avoid a hazard to children, account for all parts and destroy all packing materials. This product is suitable for indoor damp applications.

CAUTION: Turn off power at fuse or circuit breaker box before installation and maintenance. Fixture must be installed according to National Electric Code and local building codes. If you are unsure about wiring, consult a qualified electrician. THIS FIXTURE BODY IS ONE PIECE, DO NOT DISASSEMBLE OR MAKE ALTERATIONS,

This device complies with part 15 of the FCC Rules. Operation is subject to the following two conditions: (1) this device may not cause harmful interference and (2) this device must accept any interference received, including that may cause undesired operation.



DIMMABLE*



WARNING! BEFORE PROCEEDING, PLEASE ENSURE POWER HAS BEEN SWITCHED OFF.

1. Pull the supply wires (4, 5, 6) out of the junction box (1).
2. Thread the fixture screws (8) into the appropriate threaded holes of the junction box (1).
3. Connect the fixture black wire (10) to the black supply wire (5) white fixture wire (9) to the white supply wire (4) and fixture ground wire (11) to the supply ground wire (6) using wire nuts (7). Wrap all wire connections with electrical tape to ensure secure connection.
4. Carefully tuck all wires back into the junction box. Place the fixture pan (2) over the junction box and feed fixture screws (8) through keyhole slots. Rotate the fixture pan (2) clockwise until screws (8) lock into the narrow end of the keyhole slots and tighten screws firmly.
5. Secure the lens (3) and ring (12) to fixture pan (2) using three cap nuts (13).
6. Installation complete, restore power at the circuit breaker.

*. Two switches are for adjusting CCT and Power.

1. JUNCTION BOX (EXCLUDED)
2. FIXTURE PAN
3. LENS
4. WHITE SUPPLY WIRE
5. BLACK SUPPLY WIRE
6. HOUSE GROUND WIRE
7. WIRE NUTS

8. FIXTURE SCREW
9. WHITE FIXTURE WIRE
10. BLACK FIXTURE WIRE
11. FIXTURE GROUND WIRE
12. RING
13. CAP NUTS

LED FLUSH MOUNT CEILING FIXTURE

Packaging

Box Type	Box Dimensions	Qty.	Net Weight	Gross Weight
Inner Box	17" x 3" x 17"	1 Pc/Box	3.08LBS	3.4LBS
Outer Box	17.71" x 16.93" x 16.93"	6 Pcs/Box	18.52LBS	23.5LBS

Application Image

