

EMERGENCY LIGHT



Lumens Depot Foam's LED Running Man Combo Exit Sign is a reliable and efficient emergency lighting solution designed for safety and code compliance. Built with durable thermoplastic housing, it combines a clear exit sign with adjustable emergency lamp heads to ensure maximum visibility in critical situations.

Equipped with a built-in rechargeable battery, it provides dependable backup power during outages, supporting safe and efficient evacuation when it matters most. With flexible mounting options and dual-face capability, it offers versatile installation for a variety of layouts.

Designed for long-lasting LED performance, this combo exit sign is ideal for offices, schools, retail environments, and other commercial buildings requiring dependable emergency lighting.

Product Features

- 4W Power
- 6000K CCT
- 90-min backup
- Single/Double face
- Input Voltage 120–347V AC
- 150+ lumens output
- ABS housing
- UL Listed safety
- 5-Year warranty

EMERGENCY LIGHT

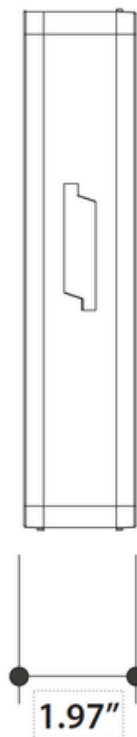
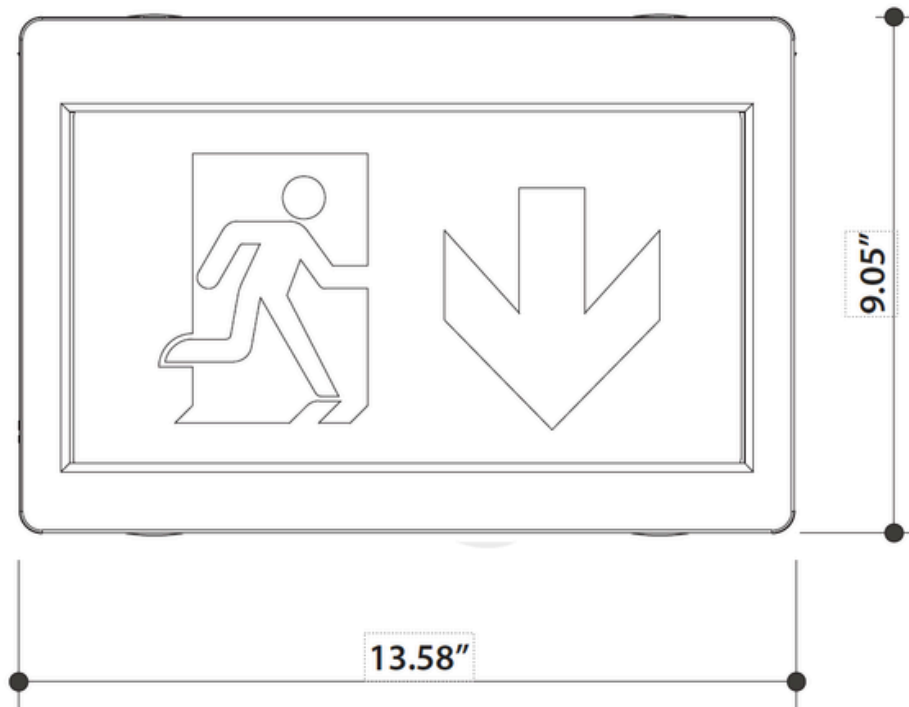
Specifications

| Parameter | Description | Value |
|---------------------|-----------------------------------------------------------------------------------------------|------------------------------|
| General Performance | Model | JRMECW |
| | Mode of operation | Non-Maintained |
| | Watt | 4W |
| | Max Lumens | 150 |
| | Input Voltage | 120/347V/60Hz |
| | Output Voltage | 4.5VDC |
| | Output Power | 4W |
| | Colour Temperature | 6000K |
| | Battery | 3.6V 1000mAh Ni-Cd Battery |
| | Max Charge Current (mA) | AC:110mA/DC:230mA |
| | Max Discharge Current (mA) | 800mA |
| | Charging Time | 24H |
| | Discharge Time | 90Min |
| | LED | 14 LEDs+2*1.2W LED lamp head |
| | Net Weight | 2.7LBS |
| | Gross Weight | 2.76LBS |
| | IP Rating | IP20 |
| Certification | UL Listed | |
| Warranty | Five years warranty for the electrical parts and housing; Three years warranty for battery | |



EMERGENCY LIGHT

Dimensions



EMERGENCY LIGHT

Installation

LED Pictogram Sign



IMPORTANT SAFEGUARDS

When using electrical equipment, basic safety precautions should always be followed including the following:

READ AND FOLLOW ALL SAFETY INSTRUCTIONS

1. All servicing should be performed by qualified service personnel.
2. Disconnect power at fuse or circuit breaker before installing or servicing.
3. All electrical connections must be in accordance with local codes, ordinances and the National Electric code.
4. Do not use outdoors.
5. Do not let power supply cords touch hot surfaces.
6. Do not mount near gas or electric heaters.
7. Equipment should be mounted in locations and at heights where it will not readily be subjected to tampering by unauthorized personnel.
8. The use of accessory equipment not recommended by the manufacturer may cause an unsafe condition.
9. Do not use this equipment for other than intended use.
10. Use caution when handling batteries. Battery acid can cause burns to the skin and eyes. If acid is spilled on the skin or eyes, flush acid with fresh water and contact a physician immediately. Avoid possible shorting.
11. Allow battery to charge for 24 hours before first use.

SAVE THESE INSTRUCTIONS

Installation Instructions

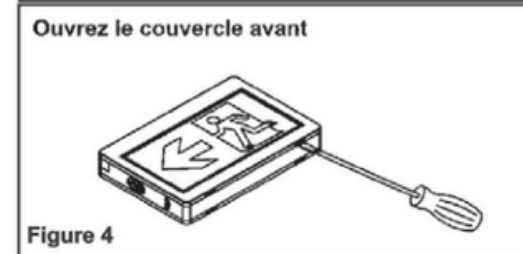
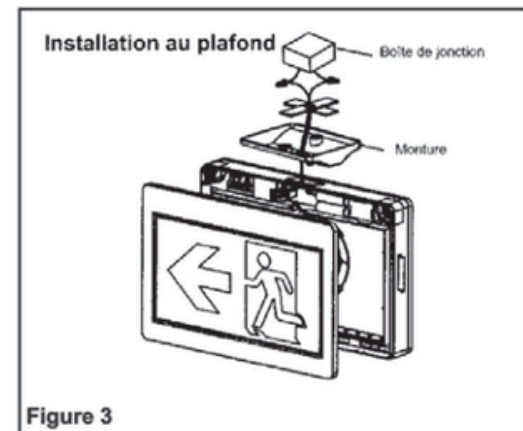
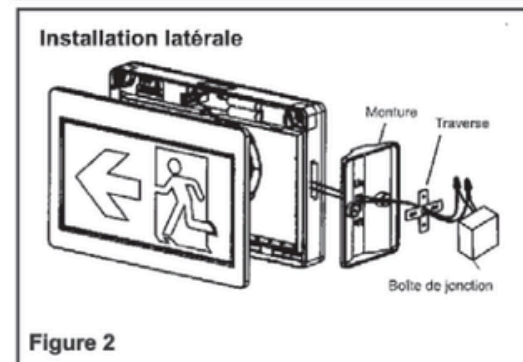
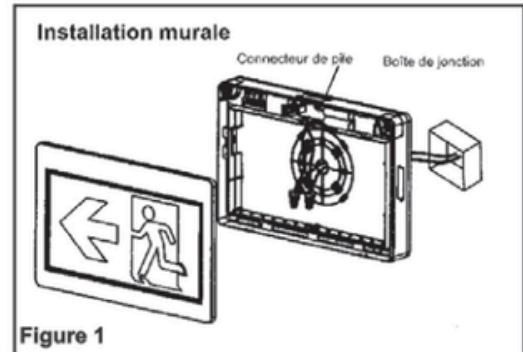
1. Turn off AC power.
2. Using a flat head screwdriver, insert the blade into the two slots and pry off the front cover (see figure 4).
3. Follow the proper mounting procedure below.

Wall mount

- a. Remove the back plate from the packaging.
- b. Knock out the proper hole pattern on the back plate, including the center hole, to mount to a standard junction box by supporting the area around the knock outs with two blocks of wood.
- c. Remove the rear cover and diffuser.
- d. Install the back plate on to the unit.
- e. Feed the AC supply leads out through the center hole and make the proper connections (See step 4 and Fig.6).

Ceiling or End Mount

- a. Attach crossbar to junction box, set the longer blade of the crossbar to touch the junction box.



EMERGENCY LIGHT

Installation

Mounting Instruction, The fixture suitable for wall mounting, side mounting, ceiling mounting.

1. Open front cover and assemble 2 pcs lamp heads on the frame.
2. Knockout appropriate mount screw hole and cable hole, mount back plate on the wall after feed building AC supply cable into back plate (see Fig 3).
3. For ceiling and side mounting purpose, remove the mounting hole cover on the top or side of the unit, assemble the canopy (see Fig 4,5,6).
4. Attach crossbar to junction box, set the longer blade of crossbar touching the J-Box.
5. Route the proper wires through mounting hole out of housing.
6. Make electrical connections inside the J-Box as wiring diagram.
7. Push excess wire into J-Box, use screws tighten canopy to crossbar so that canopy is securely fastened and tight against the wall.
8. Attach battery connector to PC board, restore front cover on unit, adjust position of lamp heads as need.
9. If pictogram direction assembled not suitable, pictogram can take out for change direction or replace pictogram, and then insert into the di user easily (See Fig 7).

Side Mounting

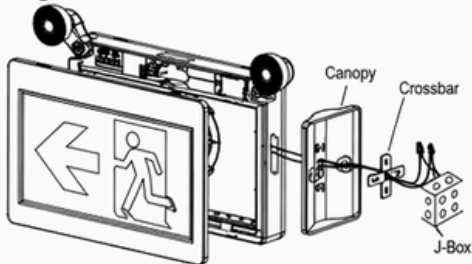


Fig 4

Canopy Assembly



Insert canopy into housing at 20-degree angle and twist. Quick snap is now locked firmly.
CAUTION: Trying to remove canopy is locked in place may cause damage.

Fig 6

Connecting Remote Heads (see Fig 8)

Using 1 pc battery, no remote capability.

Using 2pcs battery with remote capability.

Connect remote heads extension wire to remote wire, yellow is positive (+), purple is negative (-), connect wires using wire nuts. Remote capability reference below:

KDR-880-(HO)2RC has max. 3.6V 2W remote capabilities.

KDR-880-4RC has max. 3.6V 4W remote capabilities.

Wall Mounting

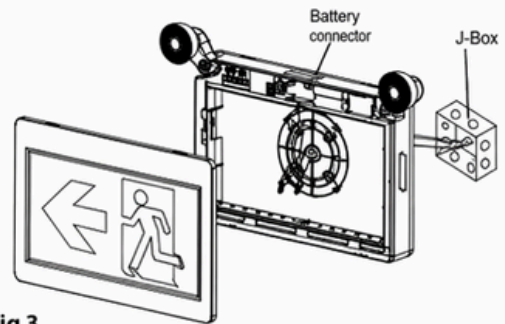


Fig 3

Ceiling Mounting

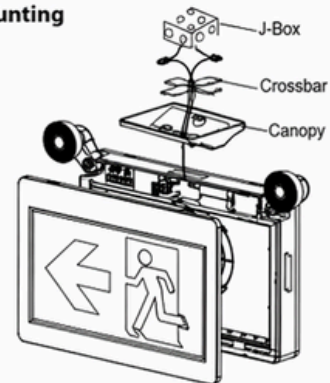


Fig 5

Change Direction of Pictogram

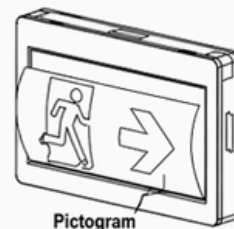


Fig 7

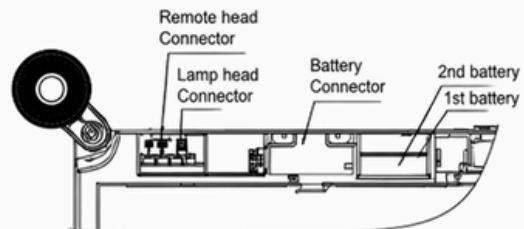


Fig 8

EMERGENCY LIGHT

Application Picture



Packaging

| Box Dimension | Qty | Net Weight | Gross Weight |
|------------------------|-----------|------------|--------------|
| 14.37" x 9.76" x 6.14" | 2 Pcs/Box | 5.51LBS | 6.28LBS |