

# LED FLOOD LIGHT



Lumens Depot LSL Flood Light is a high-performance lighting solution designed for landscaping, signage, and accent lighting across both commercial and residential applications. Built for precision and power, it delivers focused illumination with exceptional clarity.

The 100W model provides a powerful narrow-beam output, capable of illuminating objects up to 98 feet, while the 36W model reaches up to 49 feet, making it ideal for targeted lighting applications.

## Product Features

- RGB lights - High Lm 3-in-1 Osram LED Chips
- Single color lights - High Lm Bridgelux LED Chips
- RGB models are controlled by an APP to generate maximum colors
- High lumens per watt
- Die-Cast aluminum housing
- Installation Method Wall/Ceiling/Ground
- Heat resistant polycarbonate optical lens
- IP65 rating and many beam angles
- Optional DMX512 Controller
- LSL RGB Controller with APP is Included
- Input Voltage 100-277Vac
- ETL Listed

# LED FLOOD LIGHT

WATT	MAX LUMENS	CCT	INPUT VOLTAGE	LIGHT SPREAD	CONSTRUCTION	IP RATING	CERTIFICATIONS
36W	3200	3000K	100-277V	8°	Die-Cast Aluminum	IP65	ETL
36W	-	Green	100-277V	8°	Die-Cast Aluminum	IP65	ETL
100W	9000	3000K	100-277V	30°	Die-Cast Aluminum	IP65	ETL
100W	-	Blue	100-277V	30°	Die-Cast Aluminum	IP65	ETL
100W	-	Blue	100-277V	30°	Die-Cast Aluminum	IP65	ETL

## 1 Color Lights

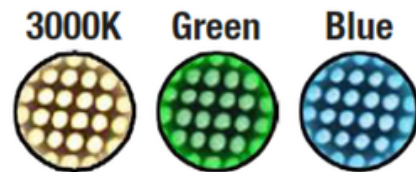
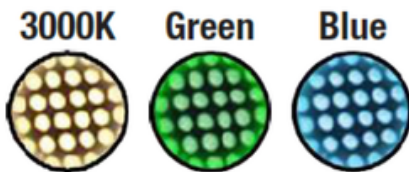
Grey Fixture Housing

8° / 30°  
Beam Angle

36W  
3000K / Green



100W  
3000K / Blue



# LED FLOOD LIGHT

## Specifications

Parameter	Description	Value
General Performance	Model #.	BLT-FL02-SQ03
	Watt	36W
	Max Lumens	3200
	Lumen Efficacy	Up to 88LM/W
	Color Temperature	3000K
	CRI (Ra)	N/A
	Light Spread	8°
	Diffuser Type	N/A
Electrical	Input Voltage	100-277Vac
	Frequency	N/A
	Dimming	N/A
	Power Factor	>0.9
	Driver Efficiency	90%
	Flicker Percent	N/A
	Operating Temperature	-40°C to 50°C
Physical	Storage Temperature	-40°C to 70°C
	Power Supply	Done UL Listed Driver for one color/ WN driver for RGB color
	LED Brand	Bridgelux
	Control Way	on off one color/DMX512 for RGB color
	LED QTY	60 Pcs
	Construction	Die-Cast Aluminum
	Housing Color	grey
	Qualification	IP Rating
Warranty		5 Years

# LED FLOOD LIGHT

## Specifications

Parameter	Description	Value
General Performance	Model #.	BLT-FL02-SQ03
	Watt	36W
	Max Lumens	N/A
	Lumen Efficacy	High lumens per watt
	Color Temperature	Green
	CRI (Ra)	N/A
	Light Spread	8°
	Diffuser Type	N/A
Electrical	Input Voltage	100-277Vac
	Frequency	N/A
	Dimming	N/A
	Power Factor	>0.9
	Driver Efficiency	90%
	Flicker Percent	N/A
	Operating Temperature	-40°C to 50°C
Physical	Storage Temperature	-40°C to 70°C
	Power Supply	Done UL Listed Driver for one color/ WN driver for RGB color
	LED Brand	Bridgelux
	Control Way	on off one color/DMX512 for RGB color
	LED QTY	60 Pcs
	Construction	Die-Cast Aluminum
	Housing Color	grey
Qualification	IP Rating	IP65
	Warranty	5 Years

# LED FLOOD LIGHT

## Specifications

Parameter	Description	Value
General Performance	Model #.	BLT-FL02-SQ03
	Watt	100W
	Max Lumens	9000
	Lumen Efficacy	Up to 90LM/W
	Color Temperature	3000K
	CRI (Ra)	N/A
	Light Spread	30°
	Diffuser Type	N/A
Electrical	Input Voltage	100-277Vac
	Frequency	N/A
	Dimming	N/A
	Power Factor	>0.9
	Driver Efficiency	90%
	Flicker Percent	N/A
Physical	Operating Temperature	-40°C to 50°C
	Storage Temperature	-40°C to 70°C
	Power Supply	Done UL Listed Driver for one color/ WN driver for RGB color
	LED Brand	Bridgelux
	Control Way	on off one color/DMX512 for RGB color
	LED QTY	60 Pcs
	Construction	Die-Cast Aluminum
Qualification	Housing Color	grey
	IP Rating	IP65
	Warranty	5 Years

# LED FLOOD LIGHT

## Specifications

Parameter	Description	Value
General Performance	Model #.	BLT-FL07-01
	Watt	100W
	Max Lumens	N/A
	Lumen Efficacy	High lumens per watt
	Color Temperature	Blue
	CRI (Ra)	N/A
	Light Spread	30°
	Diffuser Type	N/A
Electrical	Input Voltage	100-277Vac
	Frequency	N/A
	Dimming	N/A
	Power Factor	>0.9
	Driver Efficiency	90%
	Flicker Percent	N/A
Physical	Operating Temperature	-40°C to 50°C
	Storage Temperature	-40°C to 70°C
	Power Supply	Done UL Listed Driver for one color/ WN driver for RGB color
	LED Brand	Bridgelux
	Control Way	on off one color/DMX512 for RGB color
	LED QTY	60 Pcs
	Construction	Die-Cast Aluminum
Qualification	Housing Color	grey
	IP Rating	IP65
	Warranty	5 Years

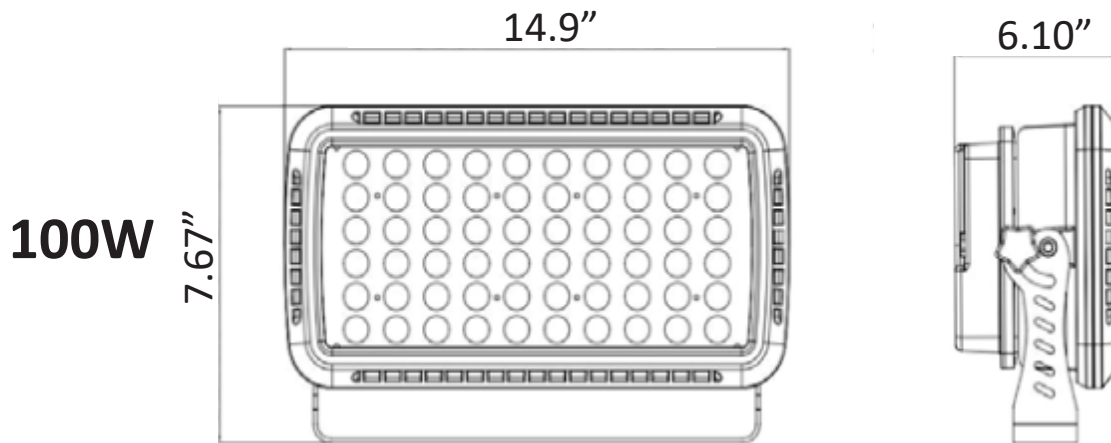
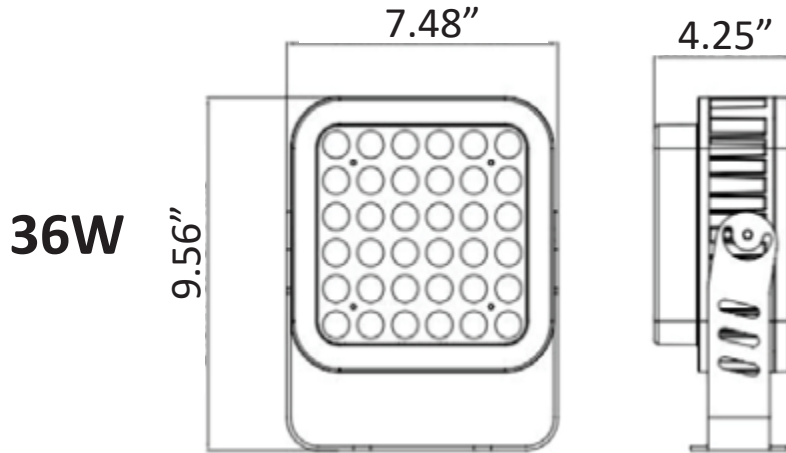
# LED FLOOD LIGHT

## Specifications

Parameter	Description	Value
General Performance	Model #.	BLT-FL07-01
	Watt	100W
	Max Lumens	N/A
	Lumen Efficacy	High lumens per watt
	Color Temperature	Blue
	CRI (Ra)	N/A
	Light Spread	30°
	Diffuser Type	N/A
Electrical	Input Voltage	100-277Vac
	Frequency	N/A
	Dimming	N/A
	Power Factor	>0.9
	Driver Efficiency	90%
	Flicker Percent	N/A
Physical	Operating Temperature	-40°C to 50°C
	Storage Temperature	-40°C to 70°C
	Power Supply	Done UL Listed Driver for one color/ WN driver for RGB color
	LED Brand	Bridgelux
	Control Way	on off one color/DMX512 for RGB color
	LED QTY	60 Pcs
	Construction	Die-Cast Aluminum
Qualification	Housing Color	grey
	IP Rating	IP65
	Warranty	5 Years

# LED FLOOD LIGHT

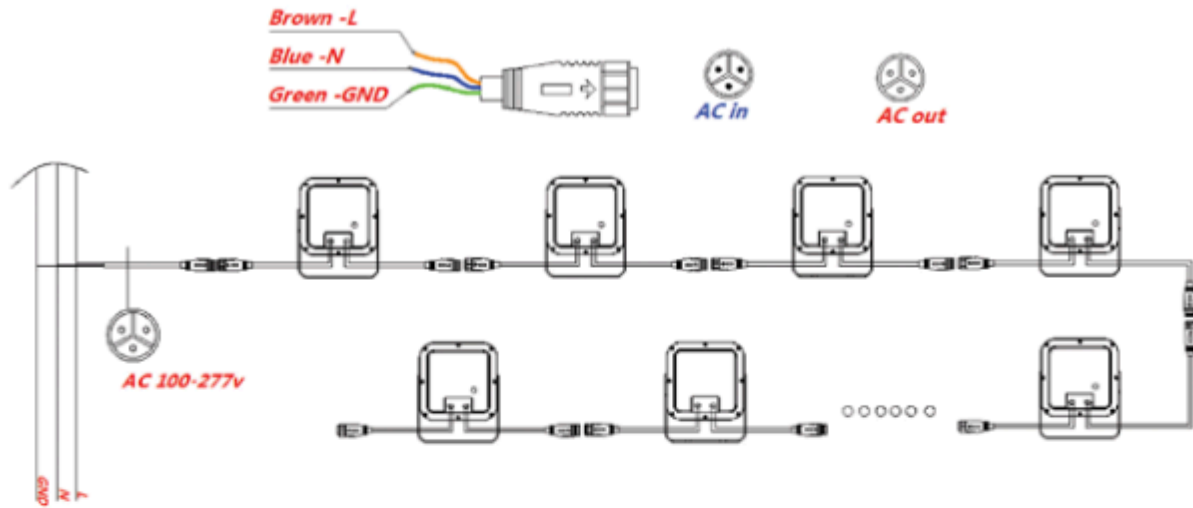
## Dimensions



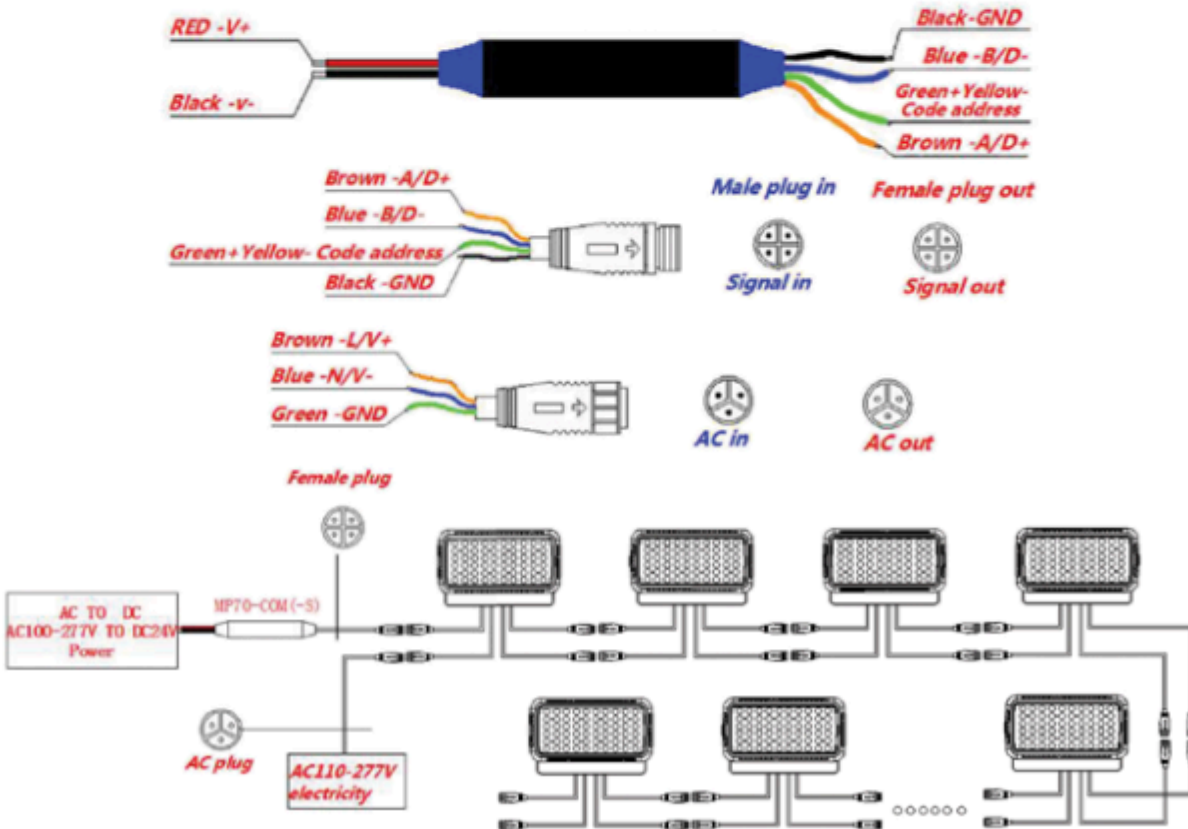
# LED FLOOD LIGHT

## Dimensions

### Single Color Wiring Diagram



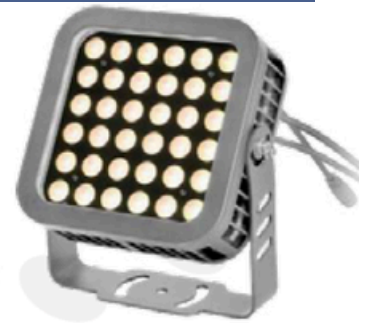
### RGB Color Wiring Diagram



# LED FLOOD LIGHT

## Distribution Diagram

### LUMINAIRE PHOTOMETRIC TEST REPORT



#### Luminaire Property

Manufacturer:  
 Luminaire Type: WN-FL02-SQ03 3000k  
 Lamp Type:  
 Luminous Width: 0 mm  
 Luminous Length: 0 mm  
 Luminous Height: 0 mm

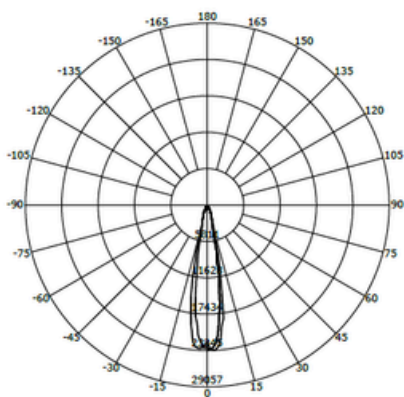
Voltage(V): 219.59 V  
 Current(A): 0.1780 A  
 Power(W): 37.06 W  
 Power Factor: 0.9470  
 Lamp Luminous Flux: 3580.00

#### Photometric Results

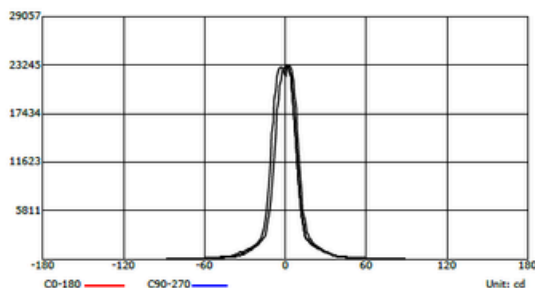
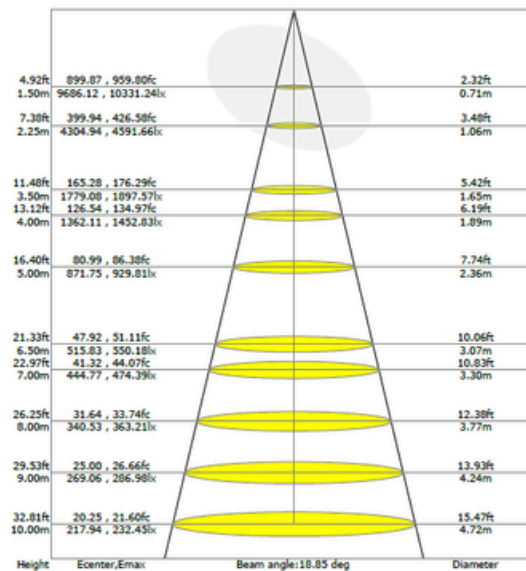
CIE Class: Direct  
 Luminaire Luminous Flux: 3579.999  
 Downward Ratio: 100.00%  
 Luminaire Efficacy Rating(LER): 96.61 lm/W  
 Beam Angle(50%Imax): L=-10.37 R=8.48  
 Field Angle(10%Imax): L=-18.71 R=16.76

Max. Intensity: 23245.28 cd  
 Max.Intensity Angle: C=0 Gamma=3  
 Upward Ratio: 0.00%  
 Efficacy: 100.00%  
 Center Intensity: 21793.78 cd

Luminous Intensity Distribution Curve



LX-DISTANCE DIAGRAM



# LED FLOOD LIGHT

## Distribution Diagram

### LUMINAIRE PHOTOMETRIC TEST REPORT



### Luminaire Property

Manufacturer:  
Luminaire Type: WN-FL02-SQ03 3000K

Voltage(V): 219.54 V  
Current(A): 0.1770 A  
Power(W): 36.88 W  
Power Factor: 0.9470  
Lamp Luminous Flux: 2764.79

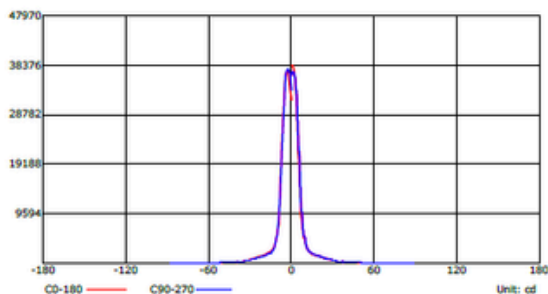
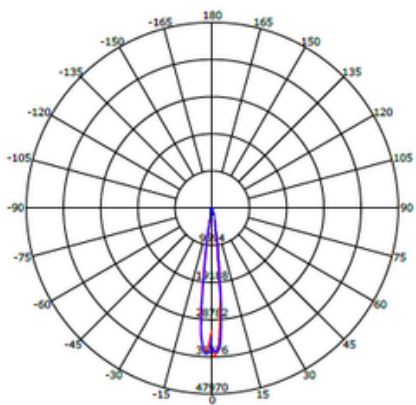
Luminous Width: 0 mm  
Luminous Length: 0 mm  
Luminous Height: 0 mm

### Photometric Results

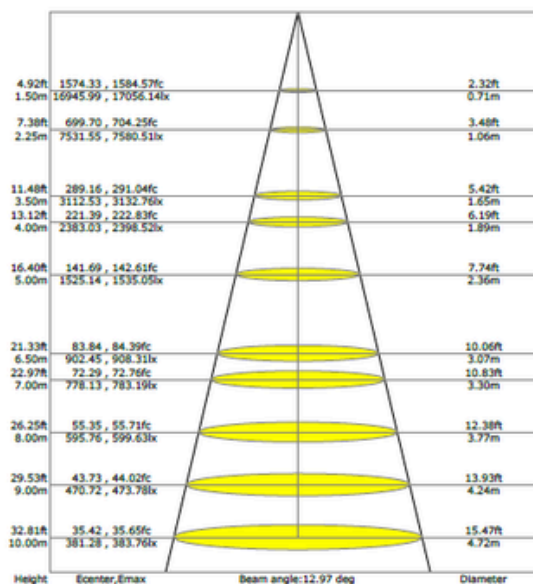
CIE Class: Direct  
Luminaire Luminous Flux: 2764.792  
Downward Ratio: 100.00%  
Luminaire Efficacy Rating(LER): 74.97 lm/W  
Beam Angle(50%Imax): L=-7.39 R=5.58  
Field Angle(10%Imax): L=-11.67 R=10.60

Max. Intensity: 38376.31 cd  
Max.Intensity Angle: C=0 Gamma=1  
Upward Ratio: 0.00%  
Efficacy: 100.00%  
Center Intensity: 38128.49 cd

Luminous Intensity Distribution Curve



LX-DISTANCE DIAGRAM



# LED FLOOD LIGHT

## Distribution Diagram

### LUMINAIRE PHOTOMETRIC TEST REPORT



### Luminaire Property

Manufacturer:  
 Luminaire Type: WN-FL07-01 3000k  
 Lamp Type:  
 Luminous Width: 0 mm  
 Luminous Length: 0 mm  
 Luminous Height: 0 mm

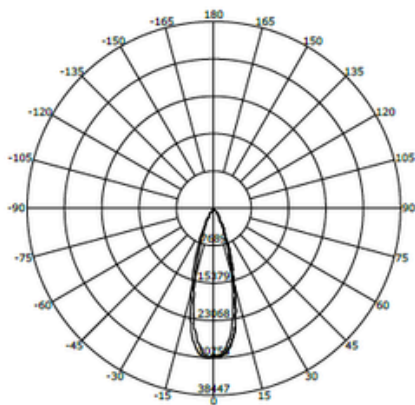
Voltage(V): 220.46 V  
 Current(A): 0.4760 A  
 Power(W): 103.55 W  
 Power Factor: 0.9860  
 Lamp Luminous Flux: 10142.02

### Photometric Results

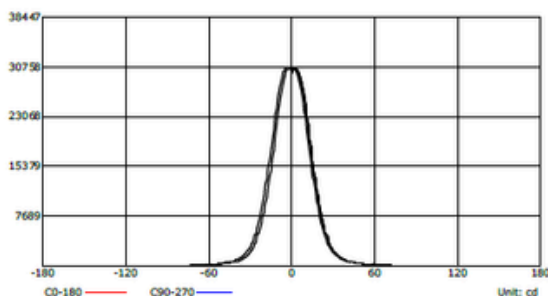
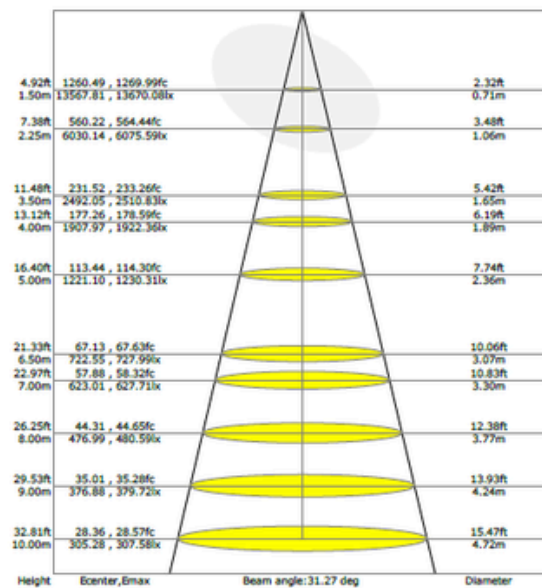
CIE Class: Direct  
 Luminaire Luminous Flux: 10142.01  
 Downward Ratio: 100.00%  
 Luminaire Efficacy Rating(LER): 97.94 lm/W  
 Beam Angle(50%Imax): L=-16.42 R=14.84  
 Field Angle(10%Imax): L=-29.22 R=27.83

Max. Intensity: 30757.69 cd  
 Max.Intensity Angle: C=180 Gamma=3  
 Upward Ratio: 0.00%  
 Efficacy: 100.00%  
 Center Intensity: 30527.57 cd

Luminous Intensity Distribution Curve



LX-DISTANCE DIAGRAM



# LED FLOOD LIGHT

## Distribution Diagram

### LUMINAIRE PHOTOMETRIC TEST REPORT



### Luminaire Property

Manufacturer:

Luminaire Type: WN-FL07-01 Green

Lamp Type:

Luminous Width: 0 mm

Luminous Length: 0 mm

Luminous Height: 0 mm

2680.76 , 2702.15lx

Voltage(V): 220.19 V

Current(A): 0.4230 A

Power(W): 91.71 W

Power Factor: 0.9830

Lamp Luminous Flux: 6834.41

### Photometric Results

CIE Class: Direct

Luminaire Luminous Flux: 6834.412

Downward Ratio: 100.00%

Luminaire Efficacy Rating(LER): 74.52 lm/W

Beam Angle(50%Imax): L=-11.57 R=11.17

Field Angle(10%Imax): L=-23.73 R=22.41

Max. Intensity: 33101.34 cd

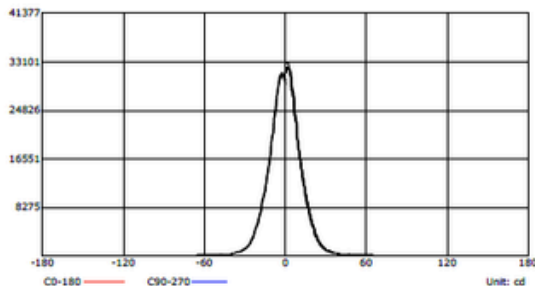
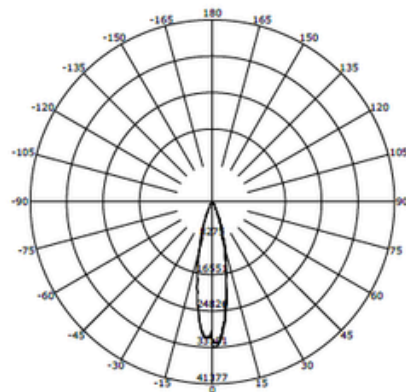
Max.Intensity Angle: C=0 Gamma=1

Upward Ratio: 0.00%

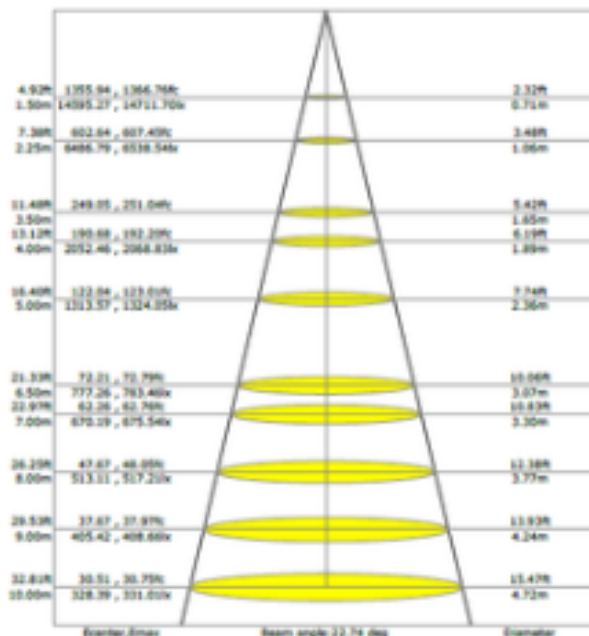
Efficacy: 100.00%

Center Intensity: 32839.36 cd

Luminous Intensity Distribution Curve



LX-DISTANCE DIAGRAM



# LED FLOOD LIGHT

## Distribution Diagram

### LUMINAIRE PHOTOMETRIC TEST REPORT



#### Luminaire Property

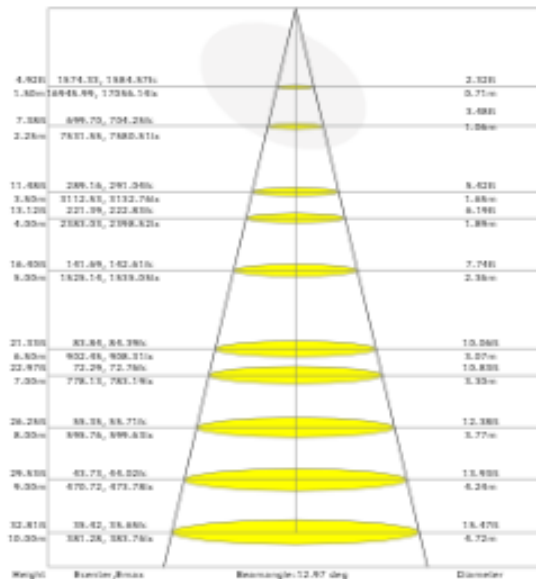
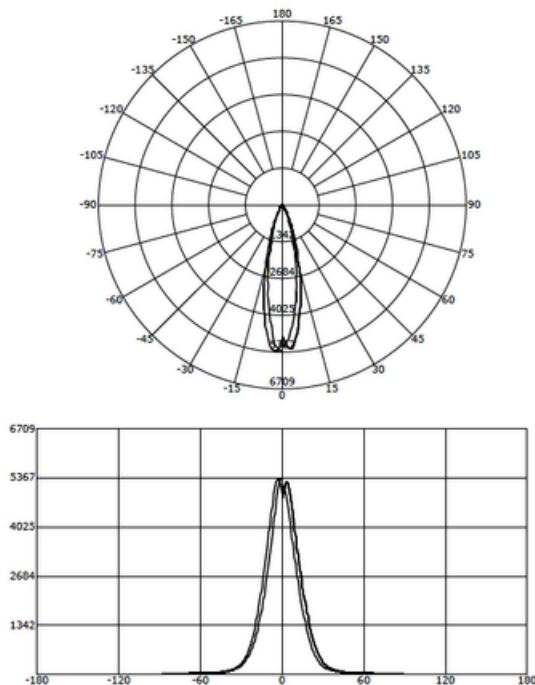
Manufacturer:  
 Luminaire Type: WN-FL07-01 BIue  
 Lamp Type:  
 Luminous Width: 0 mm  
 Luminous Length: 0 mm  
 Luminous Height: 0 mm

Voltage(V): 219.99 V  
 Current(A): 0.3750 A  
 Power(W): 80.89 W  
 Power Factor: 0.9790  
 Lamp Luminous Flux: 1318.41

#### Photometric Results

CIE Class: Direct  
 Luminaire Luminous Flux: 1318.405  
 Downward Ratio: 100.00%  
 Luminaire Efficacy Rating(LER): 16.30 lm/W  
 Beam Angle(50%Imax): L=-9.52 R=11.19  
 Field Angle(10%Imax): L=-22.39 R=23.72

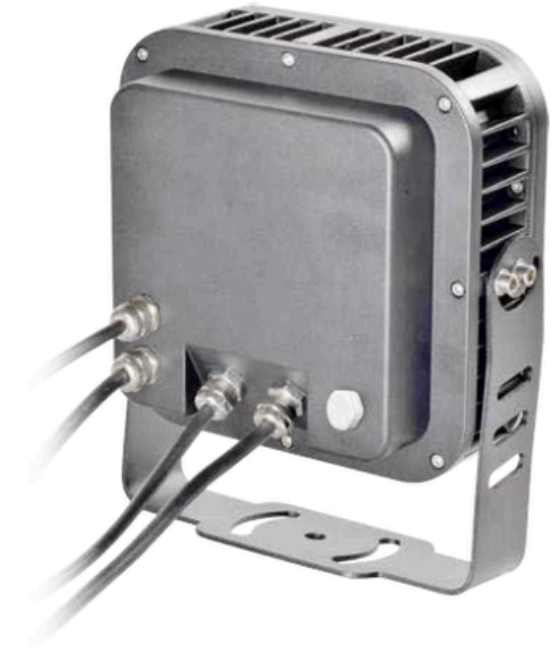
Max. Intensity: 5367.02 cd  
 Max.Intensity Angle: C=135 Gamma=2  
 Upward Ratio: 0.00%  
 Efficacy: 100.00%  
 Center Intensity: 5136.90 cd



# LED FLOOD LIGHT

## Installation

36 Watt



### I .Feature:

Quality aviation die-casting Aluminium, Polishing, Nano electrostatic spraying, large plate tough heat dissipation design, ensure long life span in the bad environment. With tempered glass and silicon sealed IP65 design, water proof, cross-ion proof, used in rainy and cold area.

### II .Attention:

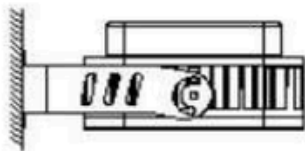
- 1.Make sure that the voltage is within the permissible range
- 2.Switch off the power supply before installation
- 3.Keep away from the cover and do not stare at the lamp when it electrified
- 4.The luminaire should be installed by a professional electrician.
- 5.Storage temperature:-65°C~+50°C, working temperature: -30°C~+50°C, best working temperature:-0°C~+30°C
- 6.Because the luminaire includes glass accessories, please be careful when moving it.

# LED FLOOD LIGHT

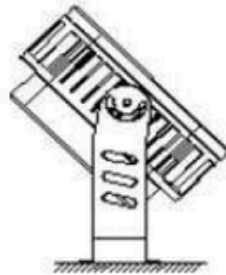
## Installation

### III. Installation diagram

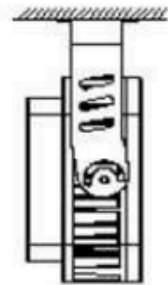
1. Available in ground-mounting, wall-mounting installation and ceiling mounting installation
2. The rotation angle of the bracket is up to 180 degrees
3. Install the floodlight onto the ground, wall, or ceiling and fix it with screw
4. Then connect it with power installation.



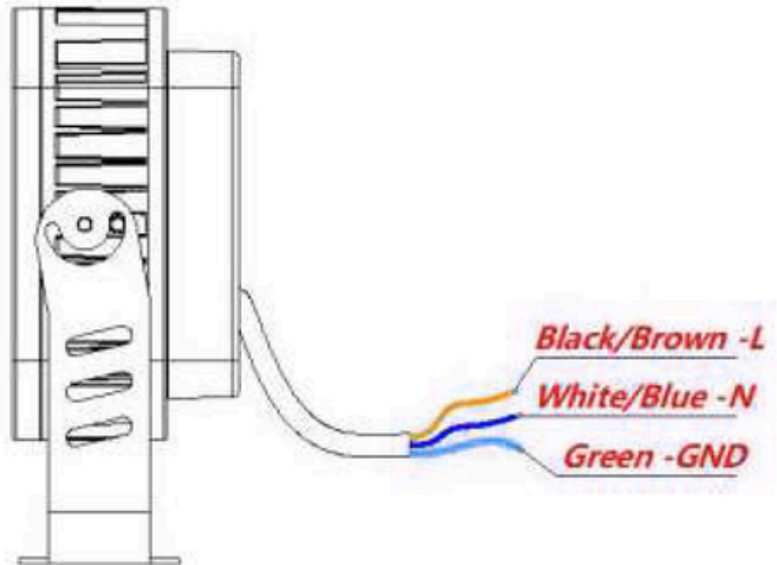
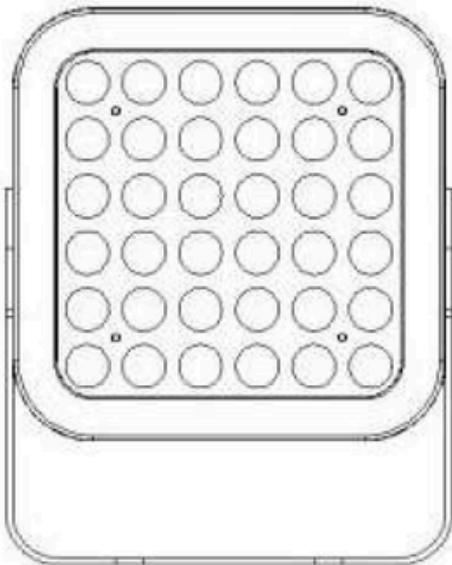
Wall mounting



Ground mounting



Ceiling mounting



### IV. Maintenance

1. Before Maintain, please cut out the power.
2. Clean the luminaire glass regularly, to keep the good transmission of light.
3. Keep the luminaire heat sinker and housing clean, to make sure good heat dissipation.
4. Please not use water or corrosion liquid to clean the luminaire, better use try staff.
5. When change the power supply, use the screw driver to open the back cover, connect the wire based on the original color.

# LED FLOOD LIGHT

## Installation

100 Watt



### I .Feature:

Quality aviation die-casting Aluminium, Polishing, Nano electrostatic spraying, large plate tough heat dissipation design, ensure long life span in the bad environment. With tempered glass and silicon sealed IP65 design, water proof, cross-ion proof, used in rainy and cold area.

### II .Attention:

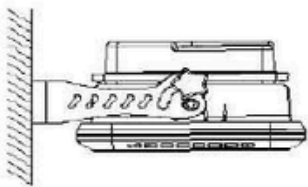
- 1.Make sure that the voltage is within the permissible range
- 2.Switch off the power supply before installation
- 3.Keep away from the cover and do not stare at the lamp when it electrified
- 4.The luminaire should be installed by a professional electrician.
- 5.Storage temperature:-65°C~+50°C, working temperature: -30°C~+50°C, best working temperature:-0°C~+30°C
- 6.Because the luminaire includes glass accessories, please be careful when moving it.

# LED FLOOD LIGHT

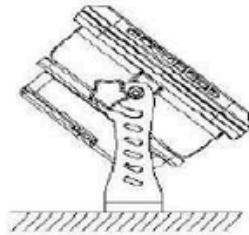
## Installation

### III. Installation diagram

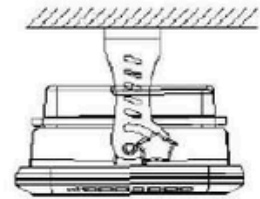
1. Available in ground-mounting, wall-mounting installation and ceiling mounting installation
2. The rotation angle of the bracket is up to 180 degrees
3. Install the floodlight onto the ground, wall, or ceiling and fix it with screw
4. Then connect it with power installation.



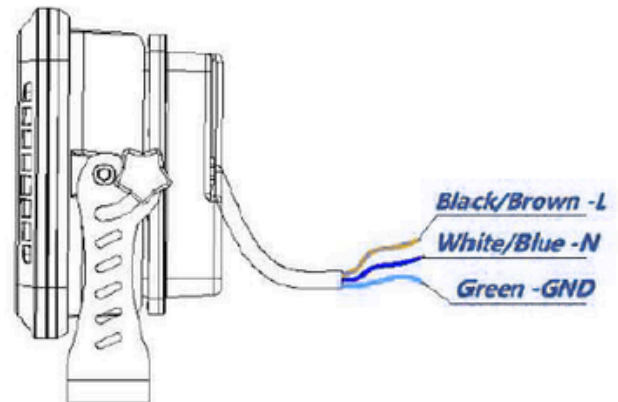
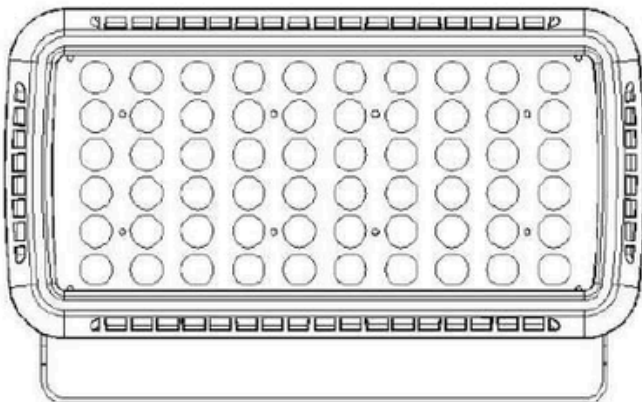
Wall mounting



Ground mounting



Ceiling mounting



### IV. Maintenance

1. Before Maintain, please cut out the power.
2. Clean the luminaire glass regularly, to keep the good transmission of light.
3. Keep the luminaire heat sinker and housing clean, to make sure good heat dissipation.
4. Please not use water or corrosion liquid to clean the luminaire, better use try staff.
5. When change the power supply, use the screw driver to open the back cover, connect the wire based on the original color.

# LED FLOOD LIGHT

## Packaging

Box Dimension	Qty	Net Weight	Gross Weight
24" X 11" X 14"	4 Pcs/Box		
24" X 11" X 14"	4 Pcs/Box		
18" X 12" X 7"	1 Pc/Box		
18" X 12" X 7"	1 Pc/Box		
18" X 12" X 7"	1 Pc/Box		

## Application Image



# LED FLOOD LIGHT

## Application Image

