

LED HORTICULTURE LIGHTS



Steel Series

Lumens Depot Foam's LED Grow Light is a unique and advanced lighting solution designed to support optimal plant growth, especially during the fruiting and flowering stages. Engineered with an enhanced red light spectrum, it helps plant pigments maximize light absorption, promoting healthier development and improved yields.

Inspired by professional growing practices, this grow light is ideal for mature plants that require targeted light for flowering and fruit production. It delivers high PPF (photosynthetic photon flux), providing more usable light for photosynthesis compared to traditional grow lights.

Unlike typical purple grow lights, it emits a more natural white light, making it easier to monitor plant health, identify pests, and detect discoloration. Perfect for high-light plants such as tomatoes, cucumbers, and peppers, this grow light offers an efficient and reliable solution for indoor and commercial growing environments.

- The perfect plant grow light for commercial use: Show off your indoor garden without harsh or unsightly lighting
- Grow your plants throughout the year: These LED grow lights for indoor plants provide the perfect high-quality, natural light that will allow your indoor garden to bloom and flourish year round

LED HORTICULTURE LIGHTS

Steel Series



- Long-lasting: Our Grow LED features advanced LED technology that uses less energy and generates low heat
- Our Grow Lights with advanced red spectrum for flowers and fruit: Our Grow Light has a red light spectrum that is perfect for tomatoes, cucumbers, peppers, flowers, fruit trees and pollinators during their fruiting or flowering growth stage

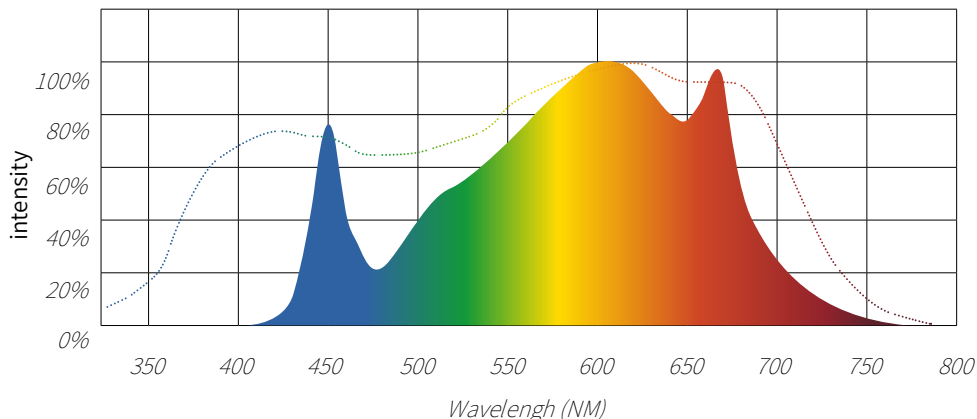
- Up to 2400 Mol/s
- Control multiple lights by the click of a button with built-in smart control system
- Full spectrum lighting
- Unique fan less design
- Suspension or surface mounting
- ETL Listed
- Full 5 years warranty
- Universal 100-277Vac

Steel Series

Size	Watts	Micromoles	CCT	Input Voltage	Certifications
44.4X21.4"	480W	1200µMol/s	Full Spectrum	100-277Vac	ETL, CE, ROHS
44.4X42.8"	720W	1760µMol/s	Full Spectrum	100-277Vac	ETL, CE, ROHS
44.4X42.8"	960W	2400µMol/s	Full Spectrum	100-277Vac	ETL, CE, ROHS

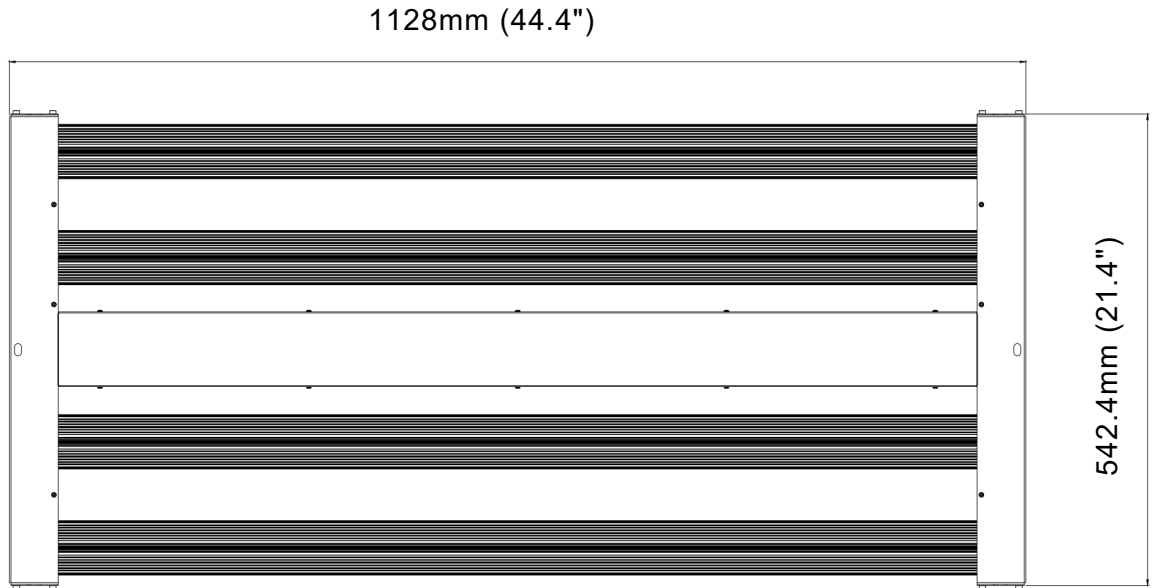
Optional Smart Control Tablet for up to 50 Grow Lights

Spectral Distribution



LED HORTICULTURE LIGHTS

480W Dimensions



47mm (1.9")

LED HORTICULTURE LIGHTS

480W Specifications



Input Wattage	480W
PPF (Light output)	1200 μ mol/s
PAR Efficacy	2.5 μ mol/J
Input Voltage	AC100-277V 50/60Hz
Driver Brand	Sosen
Light Source	Samsung / OSRAM LEDs
Dimming	0-10V / PWM
Power Factor	>0.99
Material	6063Aluminum + Optics Lens Cover
Thermal Management	Passive Cooling
Mounting Height	\geq 12" (30cm) Above Plant Canopy
Warranty Lifetime	5 year Q90>36,000hrs
Certifications	The DLC / UL8800 / ETL / CE /RoHS Standards
IP Rating	UL 1598, UL8800 – Wet location, CE-IP65 rated
Ambient Temperature	14 ~ 104 F (-10 ~ 40 C)
Dimensions Weight	44.4" L x 21.4" W x 2.3" H 22.9lb 1128mm L*524.4mm W*58mm H 10.4kg

LED HORTICULTURE LIGHTS

480W PPFD MAP

PPFDValueat 12"(30cm) Height- at5'x5'SquareGrid

□	□	□	□	□	□	□	□	□	□	□
67	81	147	240	323	333	332	234	110	72	64
□	□	□	□	□	□	□	□	□	□	□
78	113	192	354	456	477	487	326	150	92	83
□	□	□	□	□	□	□	□	□	□	□
89	142	271	578	748	724	752	477	198	110	94
□	□	□	□	□	□	□	□	□	□	□
102	158	365	815	1028	994	987	591	224	128	107
□	□	□	□	□	□	□	□	□	□	□
112	183	371	792	1154	1097	1107	654	257	140	117
□	□	□	□	□	□	□	□	□	□	□
87	158	335	784	1179	1148	1150	723	283	156	131
□	□	□	□	□	□	□	□	□	□	□
111	181	372	790	1155	1093	1102	653	255	137	116
□	□	□	□	□	□	□	□	□	□	□
101	154	366	813	1026	996	981	590	223	126	103
□	□	□	□	□	□	□	□	□	□	□
88	141	270	576	746	723	751	476	197	111	93
□	□	□	□	□	□	□	□	□	□	□
76	112	191	354	453	471	481	323	148	91	82
□	□	□	□	□	□	□	□	□	□	□
66	80	148	239	321	334	333	231	111	71	61

PPFDValueat 18"(45cm) Height- at5'x5'SquareGrid

□	□	□	□	□	□	□	□	□	□	□
104	124	200	301	384	406	395	286	184	129	126
□	□	□	□	□	□	□	□	□	□	□
116	156	256	413	489	508	481	376	228	152	142
□	□	□	□	□	□	□	□	□	□	□
124	190	325	516	638	675	622	460	268	178	154
□	□	□	□	□	□	□	□	□	□	□
137	208	356	638	798	824	757	544	313	227	179
□	□	□	□	□	□	□	□	□	□	□
144	211	394	708	890	940	850	632	360	217	189
□	□	□	□	□	□	□	□	□	□	□
135	219	367	702	921	961	865	649	362	217	193
□	□	□	□	□	□	□	□	□	□	□
141	210	394	706	887	936	851	633	361	214	188
□	□	□	□	□	□	□	□	□	□	□
138	209	354	632	796	821	755	543	310	226	176
□	□	□	□	□	□	□	□	□	□	□
123	186	324	515	636	674	621	456	266	175	152
□	□	□	□	□	□	□	□	□	□	□
113	155	255	412	488	506	480	375	226	151	141
□	□	□	□	□	□	□	□	□	□	□
103	122	199	300	384	403	396	284	181	123	121

PPFDValueat 24"(60cm) Height- at5'x5'SquareGrid

□	□	□	□	□	□	□	□	□	□	□
144	164	243	312	384	411	410	337	234	174	172
□	□	□	□	□	□	□	□	□	□	□
156	191	263	383	471	481	469	400	291	208	190
□	□	□	□	□	□	□	□	□	□	□
160	226	326	457	560	608	568	467	330	232	213
□	□	□	□	□	□	□	□	□	□	□
167	231	331	505	650	697	649	522	354	251	220
□	□	□	□	□	□	□	□	□	□	□
194	224	351	548	689	753	685	555	374	249	238
□	□	□	□	□	□	□	□	□	□	□
169	209	330	509	673	767	721	585	394	243	239
□	□	□	□	□	□	□	□	□	□	□
193	221	350	546	688	752	684	549	376	250	236
□	□	□	□	□	□	□	□	□	□	□
166	230	330	501	647	696	646	521	351	250	221
□	□	□	□	□	□	□	□	□	□	□
158	223	325	458	557	606	567	466	328	231	211
□	□	□	□	□	□	□	□	□	□	□
155	190	261	382	470	479	466	397	290	206	189
□	□	□	□	□	□	□	□	□	□	□
143	163	242	311	383	410	409	335	233	172	171

PPFDValueat 36"(90cm) Height- at5'x5'SquareGrid

□	□	□	□	□	□	□	□	□	□	□
212	233	281	327	366	339	361	321	265	224	204
□	□	□	□	□	□	□	□	□	□	□
243	264	315	381	417	391	394	350	289	241	227
□	□	□	□	□	□	□	□	□	□	□
250	284	338	390	430	437	422	375	302	255	252
□	□	□	□	□	□	□	□	□	□	□
238	285	339	408	451	470	440	390	312	266	255
□	□	□	□	□	□	□	□	□	□	□
237	249	329	399	472	487	467	408	328	256	255
□	□	□	□	□	□	□	□	□	□	□
240	243	320	403	463	497	470	420	344	256	264
□	□	□	□	□	□	□	□	□	□	□
236	245	326	398	471	488	466	406	327	254	254
□	□	□	□	□	□	□	□	□	□	□
236	284	337	406	450	471	438	386	311	264	253
□	□	□	□	□	□	□	□	□	□	□
248	282	337	386	426	436	421	373	301	245	251
□	□	□	□	□	□	□	□	□	□	□
241	261	313	382	416	390	392	346	287	238	221
□	□	□	□	□	□	□	□	□	□	□
211	231	283	326	364	337	360	321	264	223	206

LED HORTICULTURE LIGHTS

480W PPFD MAP

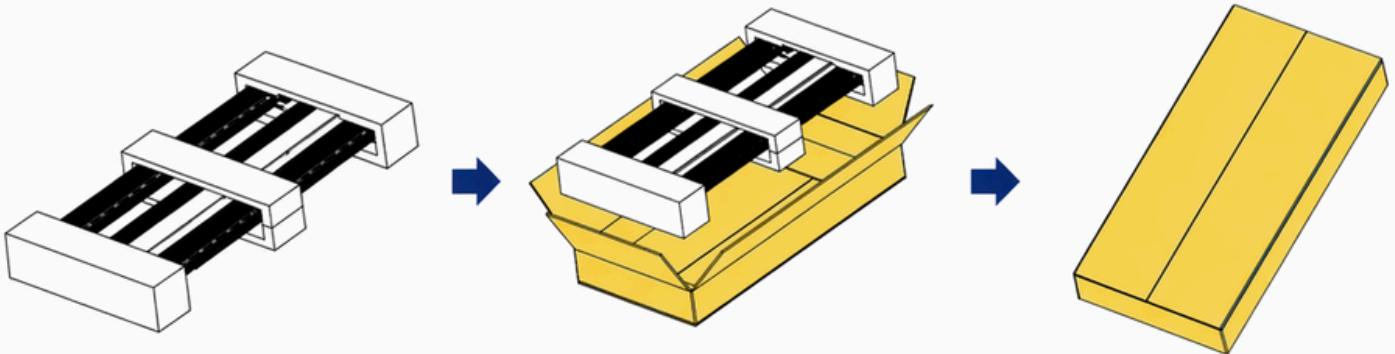
PPFD Value at 48" (120cm) Height - at 5'x5' Square Grid

•	•	•	•	•	•	•	•	•	•	•
230	242	271	302	319	276	317	300	267	245	245
•	•	•	•	•	•	•	•	•	•	•
250	266	290	324	346	319	334	313	281	258	250
•	•	•	•	•	•	•	•	•	•	•
267	278	302	325	342	348	316	287	289	266	266
•	•	•	•	•	•	•	•	•	•	•
255	273	298	325	345	360	349	329	294	272	269
•	•	•	•	•	•	•	•	•	•	•
238	242	285	320	355	368	357	333	306	261	273
•	•	•	•	•	•	•	•	•	•	•
228	228	282	319	349	365	361	330	304	251	261
•	•	•	•	•	•	•	•	•	•	•
236	241	283	318	352	367	356	321	305	260	271
•	•	•	•	•	•	•	•	•	•	•
251	371	296	323	344	356	346	327	294	271	266
•	•	•	•	•	•	•	•	•	•	•
266	276	301	324	341	347	315	288	287	266	265
•	•	•	•	•	•	•	•	•	•	•
249	265	291	325	345	317	333	312	280	256	248
•	•	•	•	•	•	•	•	•	•	•
228	241	270	301	318	276	316	299	266	243	244



Packaging

Model #	Pcs/Box	Dimensions	Weight	Pallet Quantity	Pallet Weight	Pallet Dimensions
BLT-LPC9-480W-1200-D	2	47" X 25" X 7"	69 Lb			

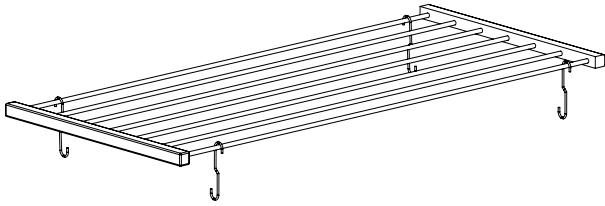


LED HORTICULTURE LIGHTS

480W Installation

01

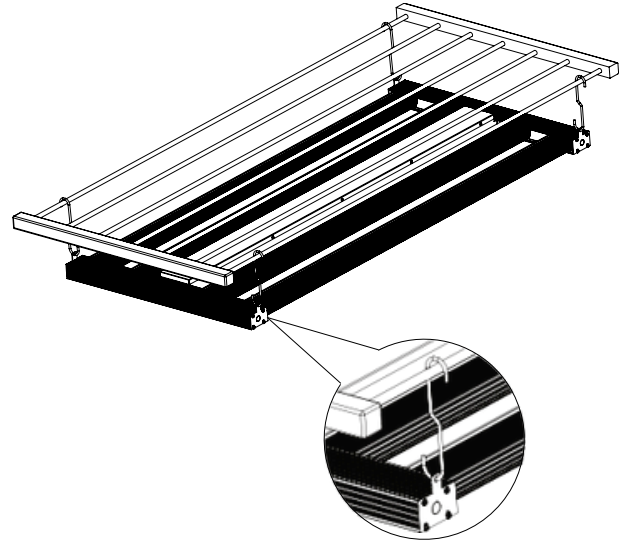
There are two ways to mount your LED grow light fixture: Short hook Suspending Mounting and Steel Chain Suspending Mounting (default).



Find out the short hooks from the package and hang them on the shelf.

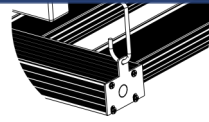
02

Then lift up the LED grow light fixture and hang it on the short hooks.



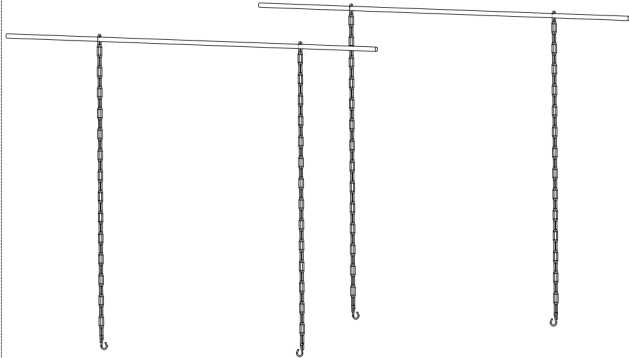
LED HORTICULTURE LIGHTS

480W Installation



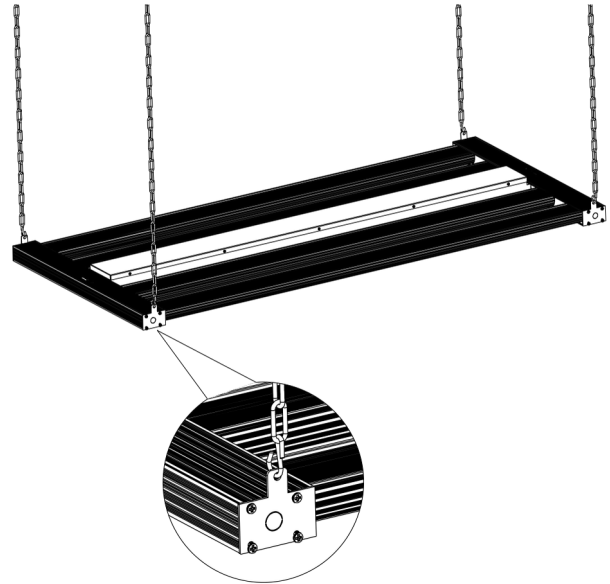
03

Find out the steel chain from the package and hang them on the ceiling.



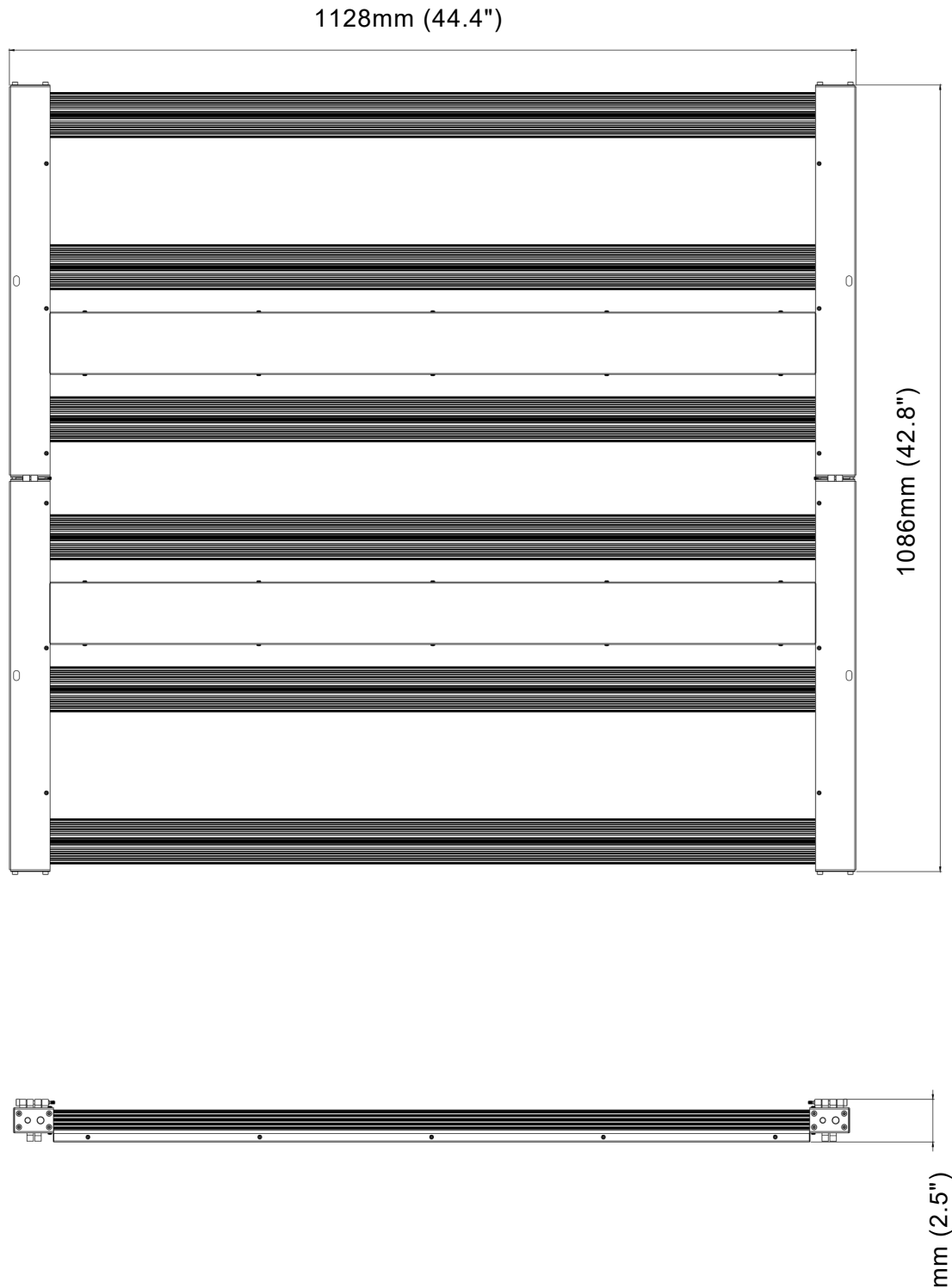
04

Then lift up the LED grow light fixture and hang it on the steel chain.



LED HORTICULTURE LIGHTS

720W Dimensions



LED HORTICULTURE LIGHTS

720W Specifications



Input Wattage	720W
PPF (Light output)	1760 μ mol/s
PAR Efficacy	2.5 μ mol/J
Input Voltage	AC100-277V 50/60Hz
Driver Brand	Sosen
Light Source	Samsung / OSRAM LEDs
Dimming	0-10V / PWM
Power Factor	>0.99
Material	6063Aluminum + Optics Lens Cover
Thermal Management	Passive Cooling
Mounting Height	\geq 12" (30cm) Above Plant Canopy
Warranty Lifetime	5 year Q90>36,000hrs
Certifications	The DLC / UL8800 / ETL / CE / RoHS Standards
IP Rating	UL 1598, UL8800 – Wet location, CE-IP65 rated
Ambient Temperature	14 ~ 104 F (-10 ~ 40 C)
Dimensions Weight	44.4" L x 42.8" W x 2.3" H 38.8lb 1128mm L*1086mm W*58mm H 17.6kg

LED HORTICULTURE LIGHTS

720W PPFD MAP

PPFDValueat 12"(30cm) Height- at5'x5'SquareGrid

0	0	0	0	0	0	0	0	0	0	0
146	199	290	293	335	335	319	299	267	237	203
0	0	0	0	0	0	0	0	0	0	0
189	295	424	456	491	519	481	444	420	339	272
0	0	0	0	0	0	0	0	0	0	0
237	434	635	710	754	807	767	700	632	482	362
0	0	0	0	0	0	0	0	0	0	0
281	544	809	928	984	1068	951	898	807	600	427
0	0	0	0	0	0	0	0	0	0	0
317	599	884	1017	1073	1167	1083	998	899	628	464
0	0	0	0	0	0	0	0	0	0	0
310	571	918	1065	1112	1228	1108	1036	909	653	483
0	0	0	0	0	0	0	0	0	0	0
315	600	883	1013	1069	1166	1084	996	897	626	462
0	0	0	0	0	0	0	0	0	0	0
280	541	805	921	983	1063	943	896	806	598	425
0	0	0	0	0	0	0	0	0	0	0
236	431	633	705	749	806	769	702	633	481	360
0	0	0	0	0	0	0	0	0	0	0
190	296	422	455	490	516	481	441	416	336	270
0	0	0	0	0	0	0	0	0	0	0
144	196	293	294	331	333	317	300	263	233	201

PPFDValueat 18"(45cm) Height- at5'x5'SquareGrid

0	0	0	0	0	0	0	0	0	0	0
201	248	327	343	383	387	397	372	318	278	254
0	0	0	0	0	0	0	0	0	0	0
279	329	422	476	509	495	503	477	421	353	310
0	0	0	0	0	0	0	0	0	0	0
341	438	557	621	661	665	648	610	545	433	387
0	0	0	0	0	0	0	0	0	0	0
381	510	679	777	828	850	823	764	666	525	451
0	0	0	0	0	0	0	0	0	0	0
446	555	757	877	951	956	932	845	712	557	492
0	0	0	0	0	0	0	0	0	0	0
452	573	792	917	990	1006	977	887	754	562	507
0	0	0	0	0	0	0	0	0	0	0
445	551	755	873	950	955	931	841	710	553	491
0	0	0	0	0	0	0	0	0	0	0
378	508	676	778	829	851	823	766	667	522	450
0	0	0	0	0	0	0	0	0	0	0
340	437	552	620	662	666	642	609	549	436	379
0	0	0	0	0	0	0	0	0	0	0
281	330	423	478	512	496	506	476	422	354	306
0	0	0	0	0	0	0	0	0	0	0
202	249	328	345	382	389	399	372	316	276	251

PPFDValueat 24"(60cm) Height- at5'x5'SquareGrid

0	0	0	0	0	0	0	0	0	0	0
256	304	360	389	424	421	440	428	366	333	308
0	0	0	0	0	0	0	0	0	0	0
298	346	410	480	506	487	504	482	436	381	348
0	0	0	0	0	0	0	0	0	0	0
351	419	492	554	597	596	589	561	503	434	407
0	0	0	0	0	0	0	0	0	0	0
377	474	559	639	673	699	707	651	570	492	462
0	0	0	0	0	0	0	0	0	0	0
394	479	595	695	768	776	778	717	629	509	487
0	0	0	0	0	0	0	0	0	0	0
447	526	659	769	821	837	825	766	665	524	512
0	0	0	0	0	0	0	0	0	0	0
393	476	596	696	767	775	774	716	626	507	486
0	0	0	0	0	0	0	0	0	0	0
379	473	561	640	674	697	706	652	567	491	461
0	0	0	0	0	0	0	0	0	0	0
349	412	491	552	596	593	590	562	501	435	402
0	0	0	0	0	0	0	0	0	0	0
297	345	401	476	505	486	501	481	435	380	347
0	0	0	0	0	0	0	0	0	0	0
257	301	356	385	421	419	436	421	359	331	301

PPFDValueat 36"(90cm) Height- at5'x5'SquareGrid

0	0	0	0	0	0	0	0	0	0	0
323	345	383	407	426	414	442	430	388	362	344
0	0	0	0	0	0	0	0	0	0	0
356	382	418	463	485	460	481	461	423	392	378
0	0	0	0	0	0	0	0	0	0	0
388	423	453	485	507	519	520	494	458	420	422
0	0	0	0	0	0	0	0	0	0	0
396	440	484	516	545	558	548	530	486	442	441
0	0	0	0	0	0	0	0	0	0	0
397	434	506	552	583	587	587	552	500	438	432
0	0	0	0	0	0	0	0	0	0	0
391	442	515	567	601	614	601	560	509	439	447
0	0	0	0	0	0	0	0	0	0	0
396	431	505	551	581	584	585	551	499	436	431
0	0	0	0	0	0	0	0	0	0	0
397	441	483	517	542	551	546	523	482	441	438
0	0	0	0	0	0	0	0	0	0	0
389	421	454	489	506	517	515	493	456	416	411
0	0	0	0	0	0	0	0	0	0	0
351	381	412	461	481	454	478	456	421	391	376
0	0	0	0	0	0	0	0	0	0	0
321	341	381	406	421	412	439	424	381	359	339

LED HORTICULTURE LIGHTS

720W PPFD MAP

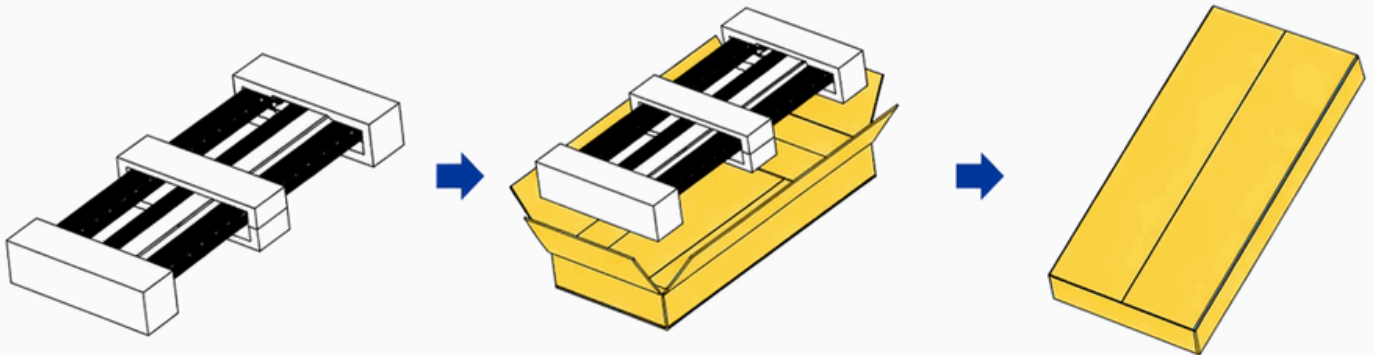
PPFD Value at 48"(120cm) Height - at 5'x5' Square Grid

•	•	•	•	•	•	•	•	•	•	•
312	324	356	369	380	355	390	374	348	331	311
•	•	•	•	•	•	•	•	•	•	•
335	358	376	399	415	387	402	393	369	348	345
•	•	•	•	•	•	•	•	•	•	•
358	375	387	409	419	426	424	412	386	367	364
•	•	•	•	•	•	•	•	•	•	•
341	376	397	415	434	443	435	423	399	380	379
•	•	•	•	•	•	•	•	•	•	•
335	371	409	438	454	461	457	431	408	374	373
•	•	•	•	•	•	•	•	•	•	•
341	375	425	453	473	475	462	450	422	382	381
•	•	•	•	•	•	•	•	•	•	•
333	369	403	432	451	455	456	429	403	371	370
•	•	•	•	•	•	•	•	•	•	•
340	375	396	411	431	441	436	421	392	381	376
•	•	•	•	•	•	•	•	•	•	•
356	371	386	402	413	422	423	411	386	366	363
•	•	•	•	•	•	•	•	•	•	•
336	359	378	396	413	386	399	392	366	346	343
•	•	•	•	•	•	•	•	•	•	•
311	322	355	371	376	354	386	372	346	328	310



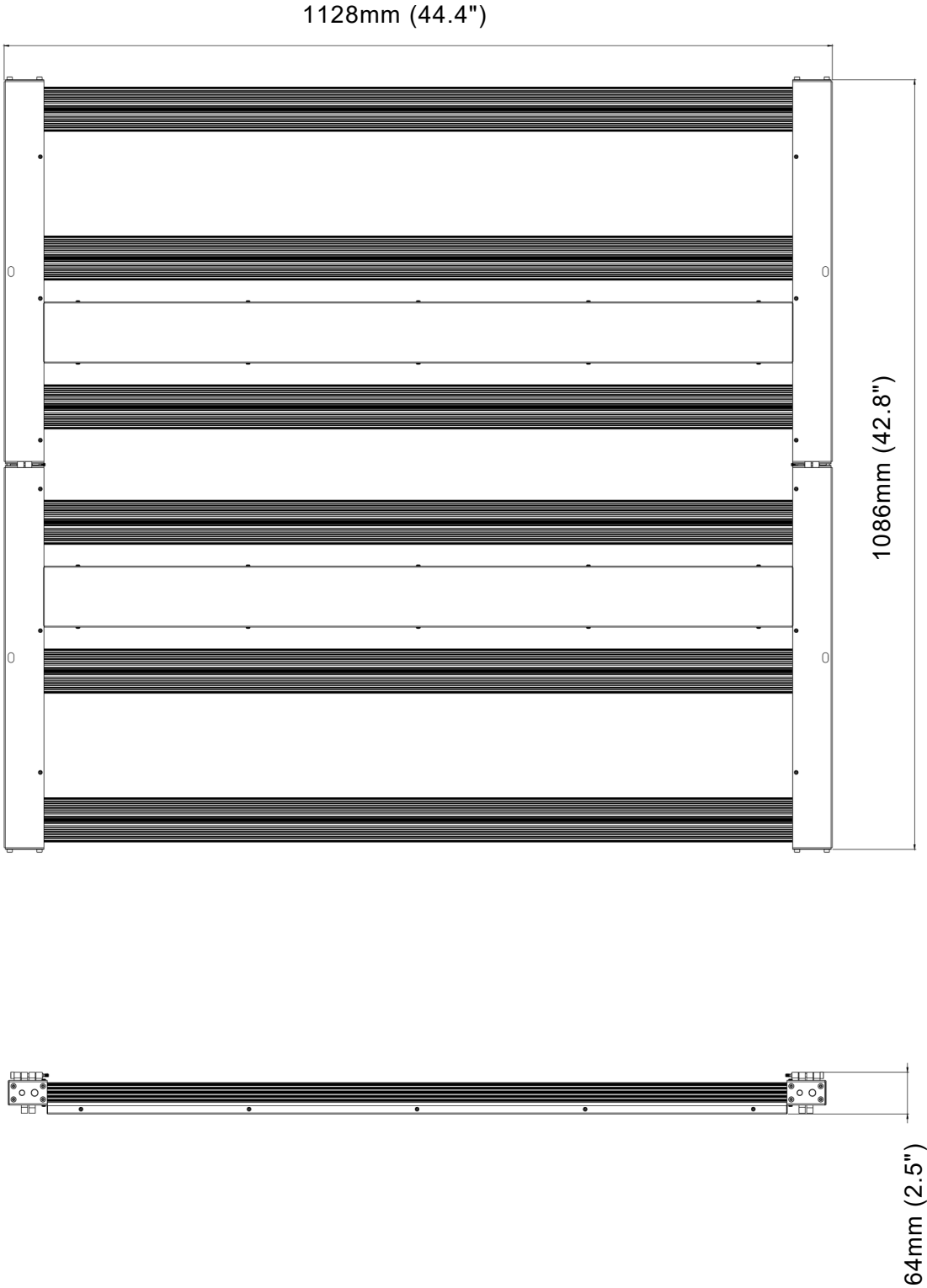
Packaging

Model #	Pcs/Box	Dimensions	Weight	Pallet Quantity	Pallet Weight	Pallet Dimensions
BLT-LPC9-720W-1760-D	1	47" X 25" X 7"	58 Lb			



LED HORTICULTURE LIGHTS

960W Dimensions



LED HORTICULTURE LIGHTS

960W Specifications



Input Wattage	960W
PPF (Light output)	2400 μ mol/s
PAR Efficacy	2.5 μ mol/J
Input Voltage	AC100-277V 50/60Hz
Driver Brand	Sosen
Light Source	Samsung / OSRAM LEDs
Dimming	0-10V / PWM
Power Factor	>0.99
Material	6063Aluminum + Optics Lens Cover
Thermal Management	Passive Cooling
Mounting Height	$\geq 12''$ (30cm) Above Plant Canopy
Warranty Lifetime	5 year Q90>36,000hrs
Certifications	The DLC / UL8800 / ETL / CE /RoHS Standards
IP Rating	UL 1598, UL8800 – Wet location, CE-IP65 rated
Ambient Temperature	14 ~ 104 F (-10 ~ 40 C)
Dimensions Weight	44.4" L x 42.8" W x 2.3" H 38.8lb 1128mm L*1086mm W*58mm H 17.6kg

LED HORTICULTURE LIGHTS

960W PPF D MAP

PPFDValueat 12"(30cm) Height- at5'x5'SquareGrid

0	0	0	0	0	0	0	0	0	0	0
140	185	264	291	356	414	381	328	305	263	216
0	0	0	0	0	0	0	0	0	0	0
198	308	494	507	578	691	644	522	507	381	293
0	0	0	0	0	0	0	0	0	0	0
249	467	789	831	970	1125	1034	795	796	591	400
0	0	0	0	0	0	0	0	0	0	0
309	579	1031	1119	1332	1577	1405	1125	1095	780	509
0	0	0	0	0	0	0	0	0	0	0
348	642	1175	1263	1447	1779	1611	1272	1227	834	560
0	0	0	0	0	0	0	0	0	0	0
391	604	1234	1312	1526	1814	1611	1335	1277	826	596
0	0	0	0	0	0	0	0	0	0	0
342	631	1156	1255	1449	1774	1599	1266	1210	828	551
0	0	0	0	0	0	0	0	0	0	0
301	576	1010	1111	1325	1567	1398	1110	1081	774	449
0	0	0	0	0	0	0	0	0	0	0
247	458	791	838	967	1110	1025	799	789	586	389
0	0	0	0	0	0	0	0	0	0	0
188	301	491	501	571	689	642	521	504	389	294
0	0	0	0	0	0	0	0	0	0	0
141	189	264	299	355	410	378	321	310	266	214

PPFDValueat 18"(45cm) Height- at5'x5'SquareGrid

0	0	0	0	0	0	0	0	0	0	0
263	291	388	438	503	555	539	509	437	391	350
0	0	0	0	0	0	0	0	0	0	0
319	400	525	590	652	710	709	656	574	485	423
0	0	0	0	0	0	0	0	0	0	0
356	497	676	771	865	944	919	847	715	606	530
0	0	0	0	0	0	0	0	0	0	0
396	558	910	979	1103	1218	1146	1042	901	744	628
0	0	0	0	0	0	0	0	0	0	0
452	609	892	1091	1248	1370	1286	1175	990	774	690
0	0	0	0	0	0	0	0	0	0	0
493	683	990	1154	1299	1401	1355	1211	1019	801	726
0	0	0	0	0	0	0	0	0	0	0
451	605	890	1089	1242	1366	1284	1169	989	762	682
0	0	0	0	0	0	0	0	0	0	0
389	549	889	976	1098	1210	1139	1037	899	735	621
0	0	0	0	0	0	0	0	0	0	0
351	496	671	769	859	941	912	846	714	603	529
0	0	0	0	0	0	0	0	0	0	0
316	399	529	591	660	709	710	655	580	478	422
0	0	0	0	0	0	0	0	0	0	0
264	295	378	441	504	558	541	511	429	389	345

PPFDValueat 24"(60cm) Height- at5'x5'SquareGrid

0	0	0	0	0	0	0	0	0	0	0
336	395	458	509	578	603	633	594	507	457	422
0	0	0	0	0	0	0	0	0	0	0
382	454	538	628	686	698	709	686	603	522	470
0	0	0	0	0	0	0	0	0	0	0
436	547	650	754	827	864	854	807	705	592	552
0	0	0	0	0	0	0	0	0	0	0
459	596	746	866	965	1010	1000	919	793	664	620
0	0	0	0	0	0	0	0	0	0	0
508	614	799	946	1077	1074	1077	991	841	676	656
0	0	0	0	0	0	0	0	0	0	0
560	676	842	1030	1143	1182	1129	1044	673	686	678
0	0	0	0	0	0	0	0	0	0	0
506	612	786	942	1066	1066	1071	987	839	671	653
0	0	0	0	0	0	0	0	0	0	0
456	595	741	861	966	1001	989	916	789	663	618
0	0	0	0	0	0	0	0	0	0	0
433	545	649	751	821	853	841	804	702	589	545
0	0	0	0	0	0	0	0	0	0	0
381	451	533	621	681	697	707	683	601	521	465
0	0	0	0	0	0	0	0	0	0	0
331	393	456	502	569	601	629	591	502	455	421

PPFDValueat 36"(90cm) Height- at5'x5'SquareGrid

0	0	0	0	0	0	0	0	0	0	0
449	475	533	595	623	590	662	628	563	514	489
0	0	0	0	0	0	0	0	0	0	0
495	538	598	666	703	689	716	689	622	560	551
0	0	0	0	0	0	0	0	0	0	0
530	585	649	712	745	759	761	716	654	605	603
0	0	0	0	0	0	0	0	0	0	0
505	598	664	735	791	810	794	755	680	624	615
0	0	0	0	0	0	0	0	0	0	0
504	578	677	761	820	836	816	771	701	600	597
0	0	0	0	0	0	0	0	0	0	0
508	563	687	766	824	850	829	771	692	598	610
0	0	0	0	0	0	0	0	0	0	0
506	577	678	766	815	826	811	769	699	605	602
0	0	0	0	0	0	0	0	0	0	0
508	600	666	736	792	812	789	756	674	621	611
0	0	0	0	0	0	0	0	0	0	0
522	582	641	711	743	749	753	711	655	599	598
0	0	0	0	0	0	0	0	0	0	0
487	541	599	659	699	687	710	687	621	548	545
0	0	0	0	0	0	0	0	0	0	0
441	469	529	589	625	589	660	618	561	518	488

LED HORTICULTURE LIGHTS

960W PPFD MAP

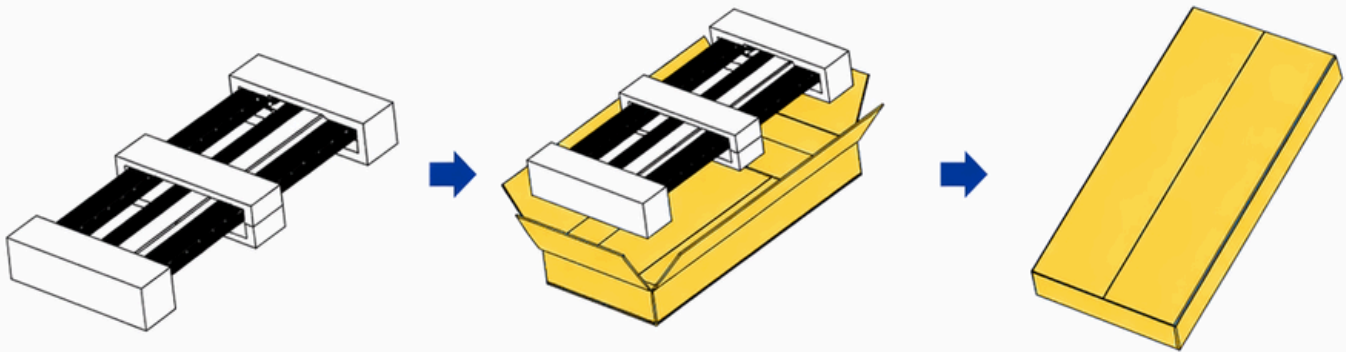
PPFD Value at 48"(120cm) Height - at 5'x5' Square Grid

•	•	•	•	•	•	•	•	•	•	•
312	324	356	369	380	355	390	374	348	331	311
•	•	•	•	•	•	•	•	•	•	•
335	358	376	399	415	387	402	393	369	348	345
•	•	•	•	•	•	•	•	•	•	•
358	375	387	409	419	426	424	412	386	367	364
•	•	•	•	•	•	•	•	•	•	•
341	376	397	415	434	443	435	423	399	380	379
•	•	•	•	•	•	•	•	•	•	•
335	371	409	438	454	461	457	431	408	374	373
•	•	•	•	•	•	•	•	•	•	•
341	375	425	453	473	475	462	450	422	382	381
•	•	•	•	•	•	•	•	•	•	•
333	369	403	432	451	455	456	429	403	371	370
•	•	•	•	•	•	•	•	•	•	•
340	375	396	411	431	441	436	421	392	381	376
•	•	•	•	•	•	•	•	•	•	•
356	371	386	402	413	422	423	411	386	366	363
•	•	•	•	•	•	•	•	•	•	•
336	359	378	396	413	386	399	392	366	346	343
•	•	•	•	•	•	•	•	•	•	•
311	322	355	371	376	354	386	372	346	328	310



Packaging

SKU #	Model #	Pcs/Box	Dimensions	Weight	Pallet Quantity	Pallet Weight	Pallet Dimensions
152268	BLT-LPC9-720W-1760-D	1	47" X 25" X 7"	58 Lb			

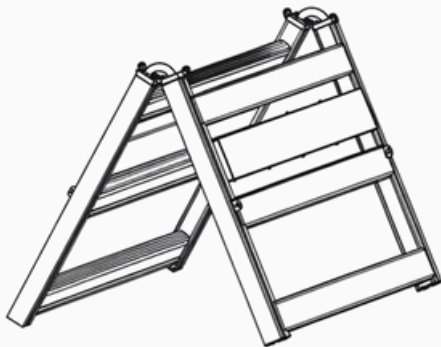


LED HORTICULTURE LIGHTS

720W & 960W Installation

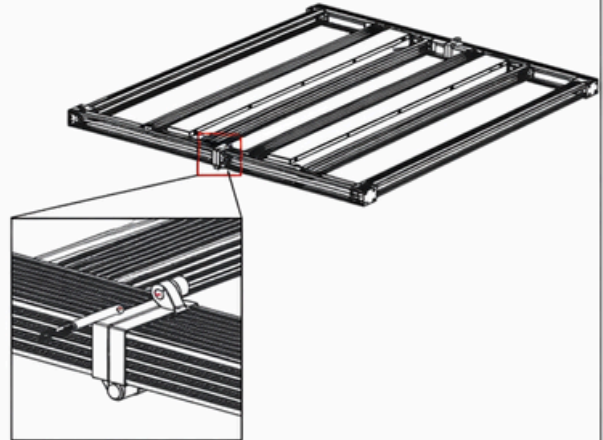
1

Unfold the LED grow light module and make sure the light output surface toward the table.



2

Take out the lock-shaft and lock the attachable end cap.



3

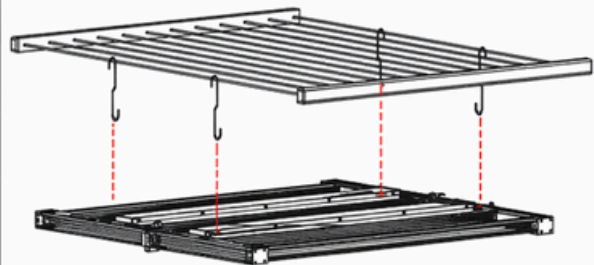
There are two ways to mount your LED grow light fixture: **Suspending Mounting**(default) and **Surface Mounting**.

This is the Surface Mounting way: Using the long hooks to hang on the shelf.



4

Then lift up the LED grow light fixture and hang it on the long hooks.

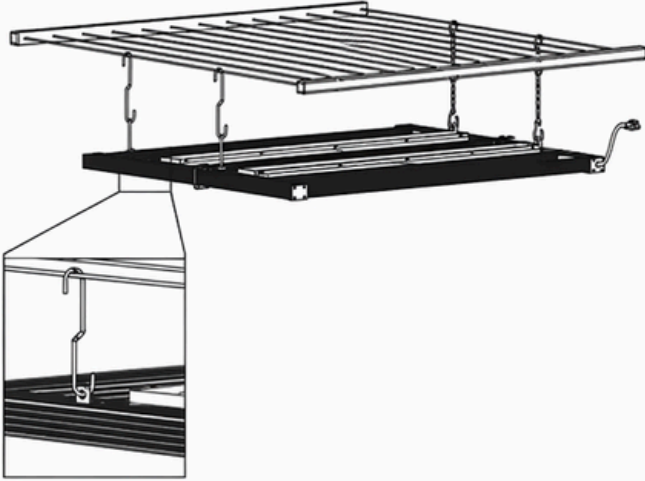


LED HORTICULTURE LIGHTS

720W & 960W Installation

5

Make sure all the 4 loog hooks are hang on the lamp.



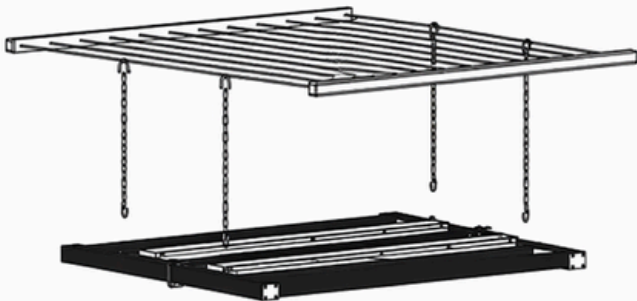
6

This is the Suspending Mounting way (DEFAULT): Find out the steel chain from the package and hang them on the ceiling.



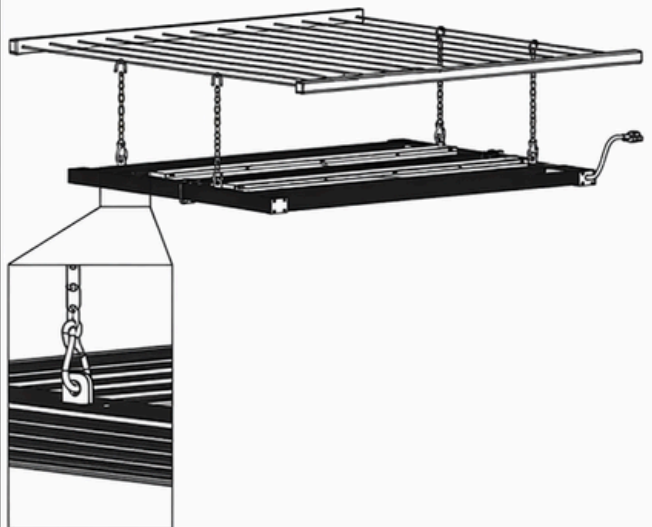
7

Then lift up the LED grow light fixture and hang it on the steel chain.



8

Make sure all the 4 steel chains are hang on the lamp.



LED HORTICULTURE LIGHTS

Smart Control Tablet

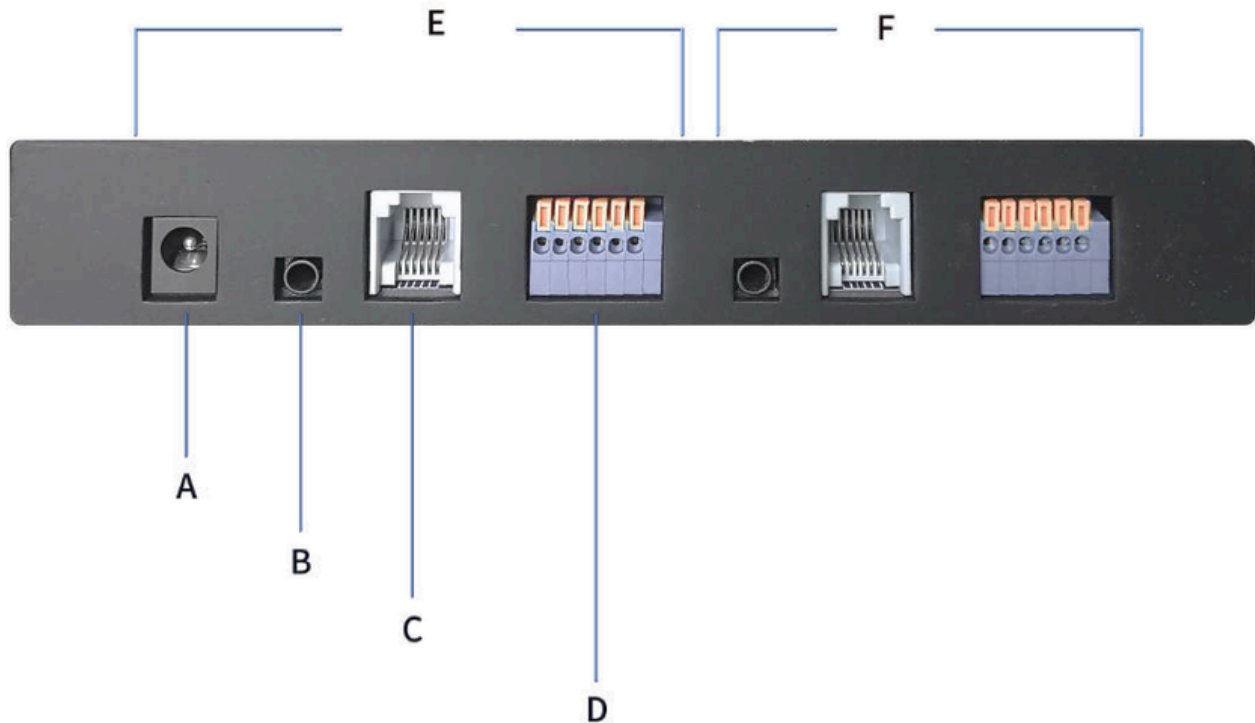


Lumens Depot Foam's Smart Control Tablet System is an advanced lighting control solution developed using RS485 bus communication protocol. It is primarily composed of a main controller and an RS485 adapter board, designed to deliver seamless and efficient control of lighting systems. The system also includes optional temperature and humidity monitoring accessories, allowing users to easily track and manage environmental conditions. The main controller features a 24-bit true color touchscreen, enabling intuitive human-machine interaction and making operation simple and user-friendly. The RS485 adapter board receives signals from the main controller and converts them into 0–10V control signals, allowing precise switching and dimming of connected lighting fixtures. This system provides a reliable and efficient solution for managing lighting and environmental controls in a wide range of applications.

LED HORTICULTURE LIGHTS

Smart Control Tablet

HARDWARE INTERFACE BLOCK DIAGRAM

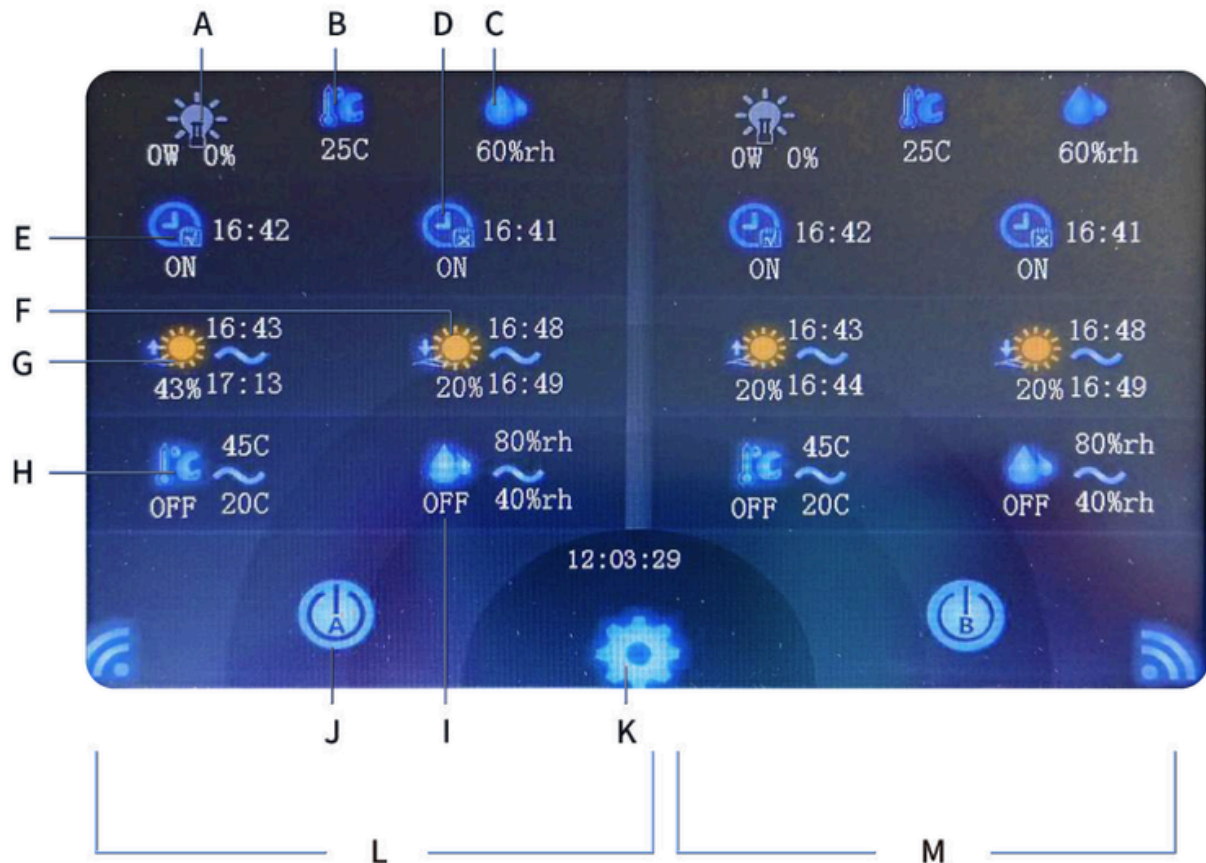


A	Power Input DC 5V-12V
B	Audio input port for external temperature and humidity sensor
C	RJ11 interface for RS485 communication differential line connection
D	Provide two external on-off switch(open-loop and closed-loop) signals for HVAC system and dehumidifier.
E	Zone A
F	Zone B, the function is completely symmetrical with zone A

LED HORTICULTURE LIGHTS

Smart Control Tablet

OPERATION INTERFACE INTRODUCTION BLOCK DIAGRAM



A	Display the switch status, power value and dimming ratio of the current lamp. Highlight it as on, and gray it as off.
B	Displays the current ambient temperature value.
C	Displays the current ambient humidity value.
D	The current timing off time is displayed. Press this key to enter the secondary page to set the timing off time.
E	The current timing power on time is displayed. Press this key to enter the secondary page to set the timing power on time.
F	Sundown light simulation display page, press this key to enter the secondary page for sundown mode parameter settings.

LED HORTICULTURE LIGHTS

Smart Control Tablet

OPERATION INTERFACE INTRODUCTION BLOCK DIAGRAM

G	Sunrise light simulation display page, press this key to enter the secondary page for Sunrise mode parameter settings.
H	Display the high and low thresholds of the current temperature. Press this key to enter the secondary page to set the high and low thresholds of the temperature.
I	The high and low threshold value of current humidity is displayed. Press this key to enter the secondary page to set the high and low threshold value of humidity.
J	Switch the light button, press this button to realize the real-time switch of the light.
K	Press this button to enter the system setting page.
L	Zone A.
M	Zone B, the function is completely symmetrical with zone A.

THE CONTROLLER ELECTRICAL PARAMETERS

This is the main controller, it's responsible for reading temperature and humidity data regularly, control command transmission, data communication, human-machine interaction, etc.

Its main electrical indicators and interface definitions are shown in the following table:

	Item	Technical Parameters	Remark
Electrical parameters	Input Voltage	DC 5V--12V	
	Input Current	≤ 0.5A at DC 12V	
	Radio frequency	ISM Band 2.4~2.5GHz	
	Indoor communication distance	50m	
	Radio transmitted power	+4dBm (Max)	
	Receive Sensitivity	-93dBm at 1Mbps	
	Network Topology	RS485 bus protocol for networking	

LED HORTICULTURE LIGHTS

Smart Control Tablet

THE CONTROLLER ELECTRICAL PARAMETERS

Item	Technical Parameters	Remark	
Interface definition	Power	DC-005 electrical socket	Power DC inlet
	PJ-313*2	Audio interface	For the external temperature and humidity sensor
	RJ11*2	RS485 communication interface	F or the connection of the main controller and RS485 adapter board
	KF141*2	Spring terminal	For external control
Structural parameters	L*W*H	201mm*130mm*39mm	
Other parameters	Working Temperature	-25 ~ 70 °C	
	Store Temperature	-40 ~ 85 °C	
	Relative Humidity	< 95 (No condensation)	

FUNCTION SUMMARY

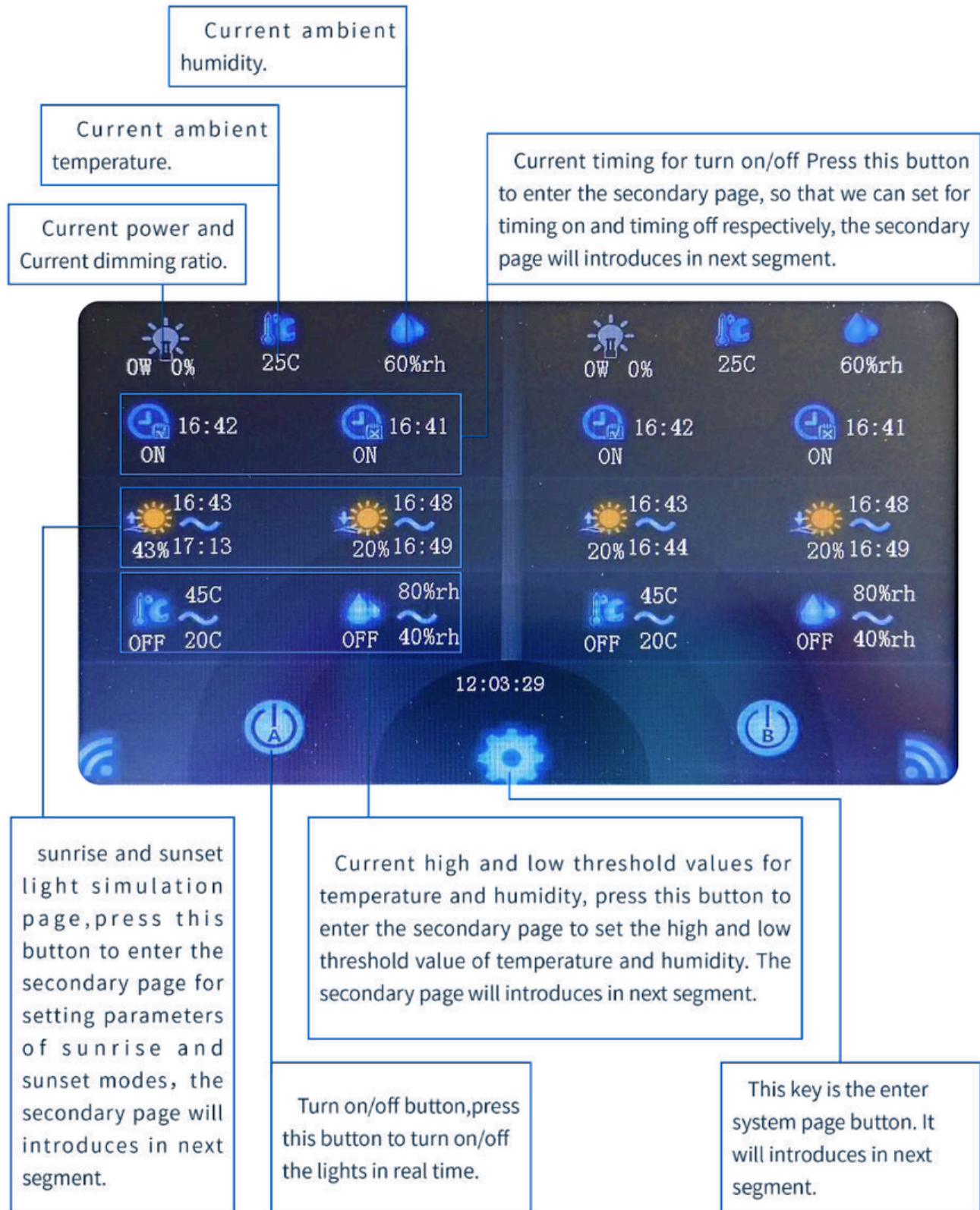
The main controller uses 7 inch 24 bit true color resistance touch screen to realize human-machine interaction, The main functions and interface operation are briefly explained as below.

DIMMAIN FUNCTIONENSIONS

The main interface is divided into two completely symmetrical area controls, A and B, which are convenient to meet the needs of partition control.

LED HORTICULTURE LIGHTS

Smart Control Tablet

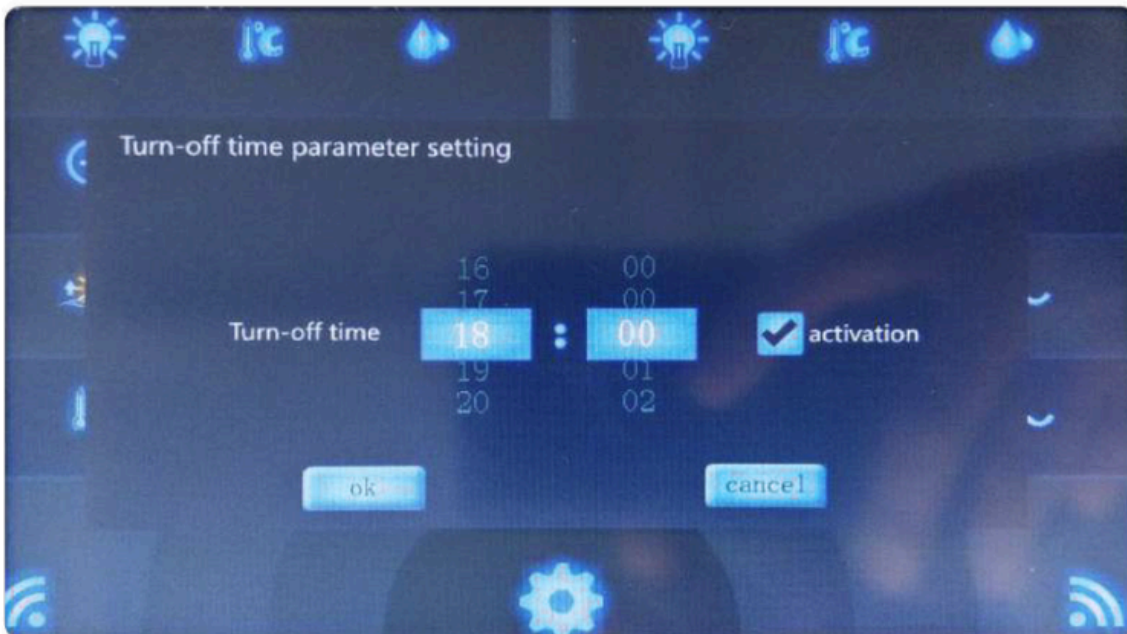
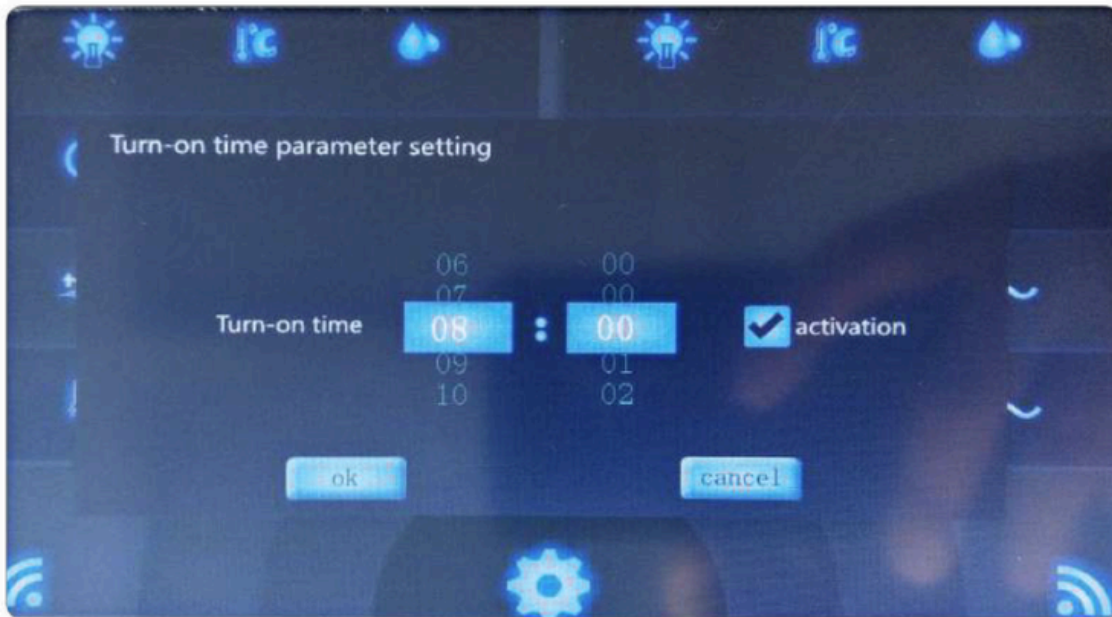


LED HORTICULTURE LIGHTS

Smart Control Tablet

TIMING SWITCH SETTING INTERFACE

It belongs to the secondary page, which is mainly used to set the timing for turn on/off of light regularly, as following picture:



LED HORTICULTURE LIGHTS

Smart Control Tablet

Slide the number to input the timing switch hours and minutes. After setting, "activation" needs to be clicked to enable this function. Press "OK" to exit the secondary page after setting.

SUNRISE AND SUNSET SETTING INTERFACE

The simulation of sunrise and sunset is mainly used to set the lighting changes during the simulation of the rise and fall of the sun, which is basically to set the dimming value of different time periods.



LED HORTICULTURE LIGHTS

Smart Control Tablet

The start time is setting for the local sunrise or sunset time, 1st time, 2nd time and 3rd time are respectively the duration of each segment. The corresponding scroll bar is the dimming ratio of the current period. After setting, "activation" needs to be clicked to enable this function. Press "OK" to exit the secondary page after setting.

THRESHOLD VALUES FOR TEMPERATURE AND HUMIDITY SETTING INTERFACE

The setting of temperature and humidity threshold is to set the high and low threshold of the current environmental temperature. When the temperature and humidity of the environment exceed the threshold range, peripheral equipment such as HVAC system and dehumidifier will be triggered to realize closed-loop automatic control.



LED HORTICULTURE LIGHTS

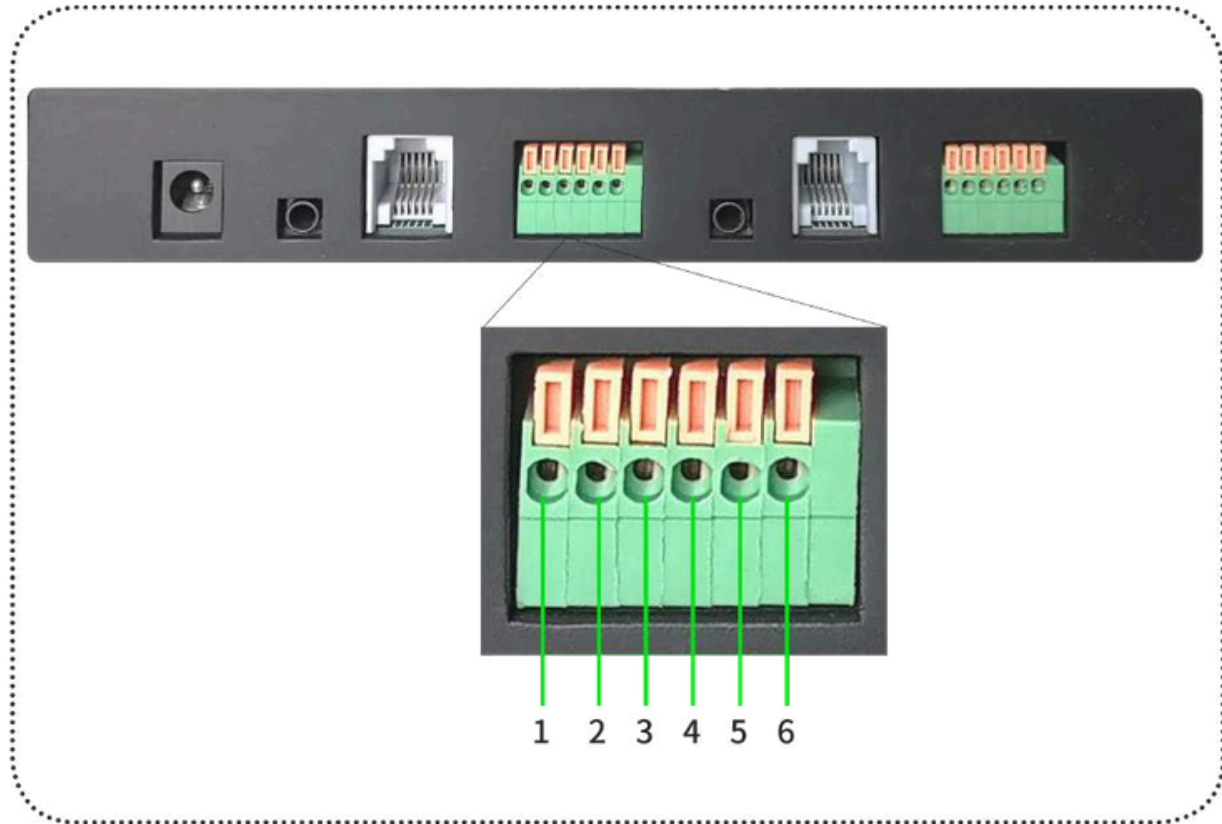
Smart Control Tablet



Press the input box to enter the number, After setting, "activation" needs to be clicked to enable this function. Press "OK" to exit the secondary page after setting.

LED HORTICULTURE LIGHTS

Smart Control Tablet



We use open-loop and closed-loop signal to control HVAC system and dehumidifier machines. The 1,2,3 jacks are for HVAC system to control the ambient temperature. The 4,5,6 jacks are for dehumidifier to control the humidity.

Control the HVAC system:

If the temperature is ON your setting range, the “1” and “2” jacks will be disconnected, the “2” and “3” jacks will be connected.

But when the temperature is NOT on your setting range, the control system will be warning, and the “1” and “2” jacks will be connected, the “2” and “3” jacks will be disconnected.

Control the dehumidifier:

If the humidity is ON your setting range, the “4” and “5” jacks will be disconnected, the “5” and “6” jacks will be connected.

But when the temperature is NOT on your setting range, the control system will be warning, and the “4” and “5” jacks will be connected, the “5” and “6” jacks will be disconnected.

Also we can customize that DC 12V/3.3V high low-level output to control the machines.

LED HORTICULTURE LIGHTS

Smart Control Tablet

SYSTEM INTERFACE

In system page "**Current time**" is the system's time, slide the numbers in the input box to complete the setting of hours and minutes respectively.

"**Max power**" Is the maximum power value of the current working lamp.

"**Temperature type**" is the setting for the temperature unit. There are Fahrenheit and Celsius options, and highlight means select.

"**Module Addr**" is the reading and writing of module address, mainly used for reading and setting of lamp address in networking.

"**Work Mode**" is working mode , there are five modes: automatic, spring, summer, autumn and winter, and the default setting is automatic .

"**Master Addr**" Set the working address of the current main controller.

The default addr is 0. However, when a individual lamp need to be controlled in the network, the same address should be set to the main controller so that the lamp can be control individual. The default is unified control.

"**QR code**" bluetooth QR code for scanning, click "close" to back to the main page of the system.



LED HORTICULTURE LIGHTS

Smart Control Tablet

DIAGRAM FOR APPLICATION

Smart Control Tablet

for up to 50 Grow Lights

WITH BLUETOOTH WIRELESS CONTROL FUNCTION

TIMER / ELECTRONIC SWITCH / DIMMABLE / GROUP CONTROL



LED HORTICULTURE LIGHTS

Smart Control Tablet

TEMPERATURE AND HUMIDITY METER

The thermohygrometer uses standard audio cable interface for power supply and data output, and the main controller provides real-time temperature and humidity data of the environment.



Item		Technical Parameters	Remark
Electrical parameters	Power	DC 3.3V±0.2V	Power DC inlet
	Working Current	≤ 10mA	
Interface definition	PJ-313	Temperature and humidity power supply input, temperature and humidity data output	DC 3.3V Input temperature and humidity data output
Structural parameters	L*W*H	5mm*9mm*4mm	
Other parameters	Working Temperature	-25 ~ 70 °C	
	Store Temperature	-40 ~ 85 °C	
	Relative Humidity	< 95 (No condensation)	

LED HORTICULTURE LIGHTS

Application



LED HORTICULTURE LIGHTS

Application

