

LED AC MODULES



Lumens Depot Foam's LED AC Modules are high-quality lighting solutions specifically designed for outdoor applications such as construction projects, retrofit of medium and large channel letters, and signage decoration. Available in multiple color options including white, yellow, blue, red, and RGB, they offer flexibility to suit a wide range of lighting needs.

Engineered for performance and longevity, these modules feature excellent heat dissipation through an integrated heat sink, helping to minimize light degradation and maintain color consistency over time. The ultrasonically welded body, combined with an IP67 rating, ensures strong water resistance, making them ideal for demanding outdoor signage environments.

Customizable to meet specific project requirements, these LED AC modules provide a reliable, durable, and energy-efficient solution for professional lighting applications.

Product Features

- Input Voltage AC 110V
- No need driver
- Max 100pcs per string , without voltage drop,
- Easy For Installation
- High brightness, save your cost
- Beam angle 160o Degree
- Beam Angle 15x45°
- UL Listed
- 3 Years Warranty

LED AC MODULES

Watt	Lumens	CCT	Color	Input Voltage	Beam Angle	IP Rating	Certifications
3W	300Lm	10000K	White	110V AC	15x45°	IP65	UL
3W	350Lm	10000K	White	110V AC	160°	IP67	UL
3W	390Lm	10000K	White	110V AC	160°	IP65	UL
3W	390Lm	3000K	Warm White	110V AC	160°	IP65	UL
3W	-	-	Red	110V AC	160°	IP65	UL
3W	-	-	Blue	110V AC	160°	IP65	UL

Specifications

Parameter	Description	Value
General Performance	Model #	FH3XF-HV-D
	Wattage	3W
	Lumen	300LM
	Lumen Efficacy	Up to 100LM/W
	Color Temperature	10000K
	Input Voltage	110V AC
	LED Chip	SMD2835
	Beam Angle	15x45° Degree
	Module Pitch	5.11"
	Operating Temperature	-20°C ~ 60°C
	Color	White
	IP Rating	IP65 Rated
	Cable	24AWG 600V/105°C
	Warranty	3 Years Warranty

Connection Diagram

AC110V

AC110V



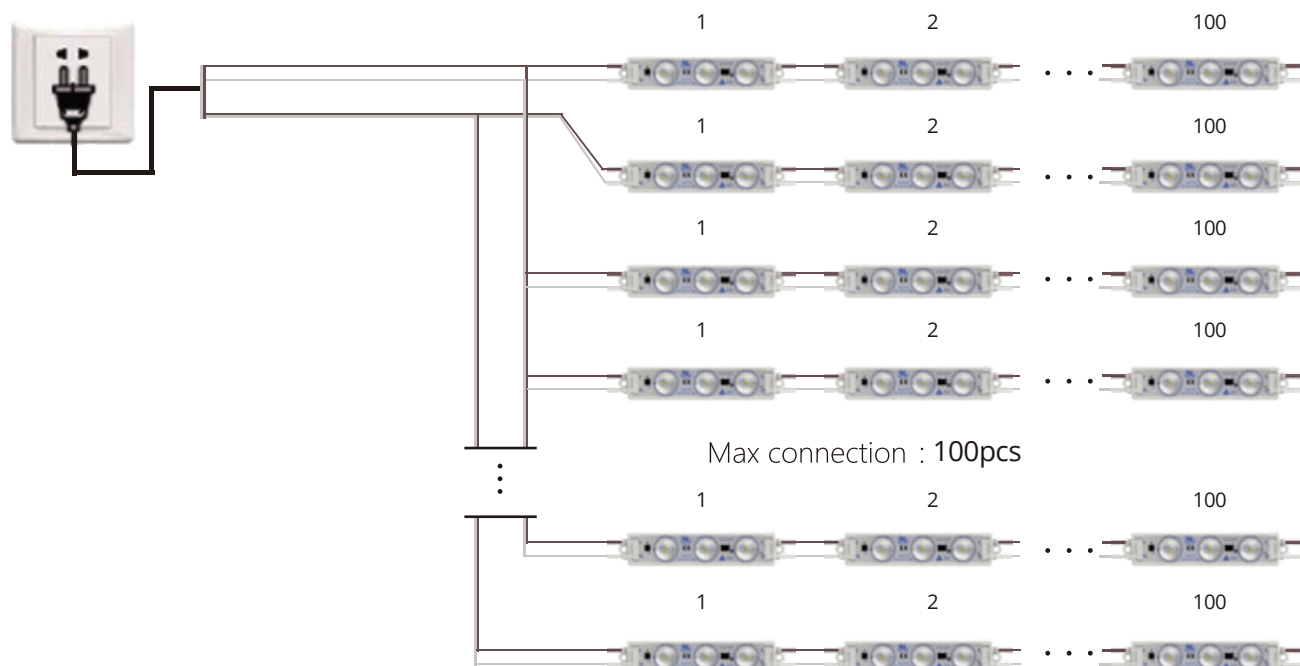
LED AC MODULES

Specifications

Parameter	Description	Value
General Performance	Model #	DM3WF-67
	Wattage	3W
	Lumen	350LM
	Lumen Efficacy	Up to 120LM/W
	Color Temperature	10000K
	Input Voltage	110V AC
	LED Chip	SMD2835
	Beam Angle	160° Degree
	Module Pitch	5.11"
	Operating Temperature	-20oC ~ 60oC
	Color	White
	IP Rating	IP67 Rated
	Cable	24AWG 600V/105oC
	Warranty	3 Years Warranty

Connecti on Diagram

AC 220V Input

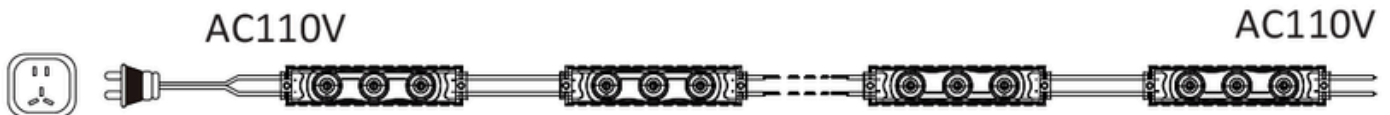


LED AC MODULES

Specifications

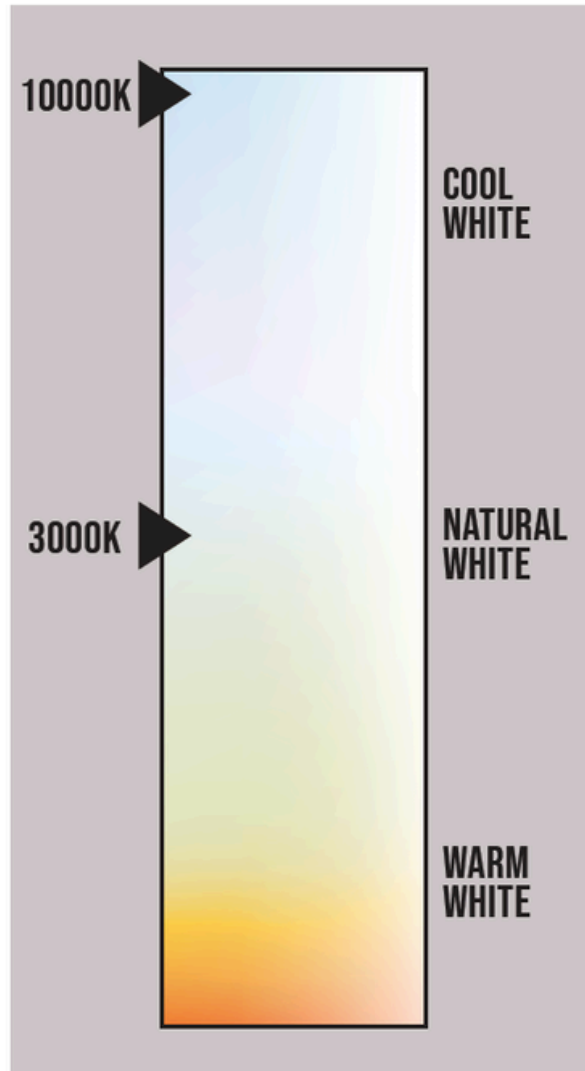
Parameter	Description	Value
General Performance	Model #	DM3XF-JC
	Wattage	3W
	Lumen	390LM
	Lumen Efficacy	Up to 130LM/W
	Color Temperature	10000K
	Input Voltage	110V AC
	LED Chip	SMD2835
	Beam Angle	160° Degree
	Module Pitch	5.11"
	Operating Temperature	-20°C ~ 60°C
	Color	White / Warm White / Red / Blue
	IP Rating	IP65 Rated
	Cable	24AWG 600V/105°C
	Warranty	3 Years Warranty

Connection Diagram



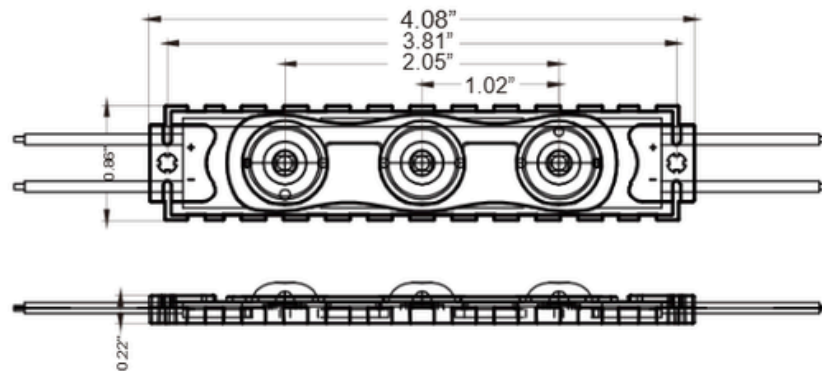
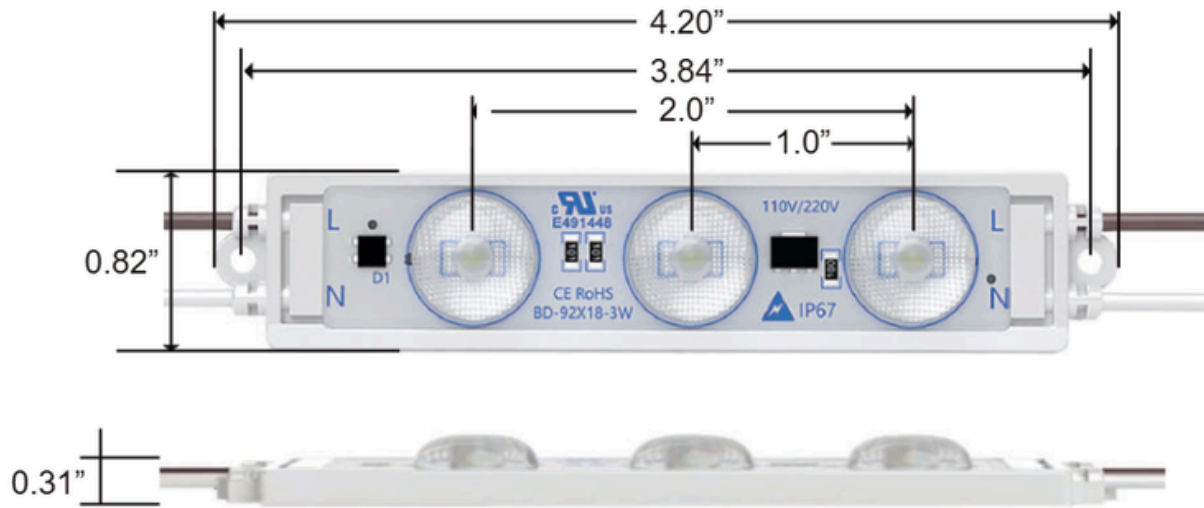
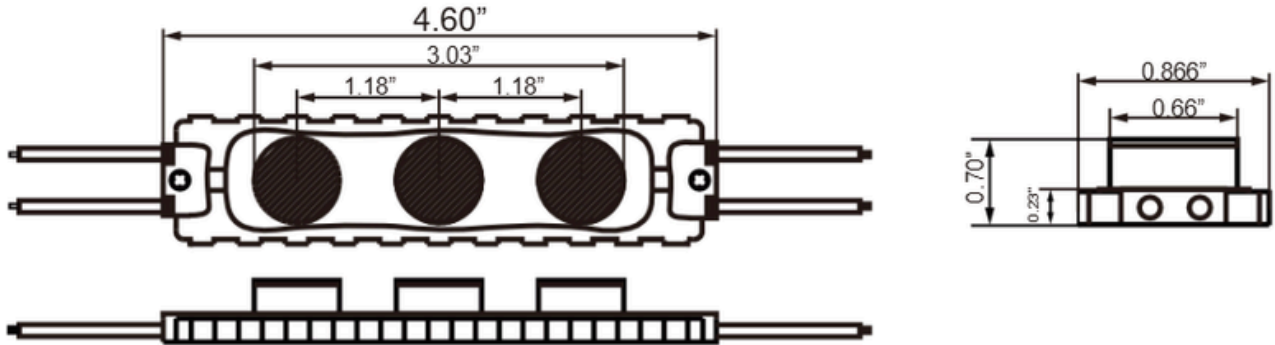
LED AC MODULES

Correlated Color Temperature (CCT)



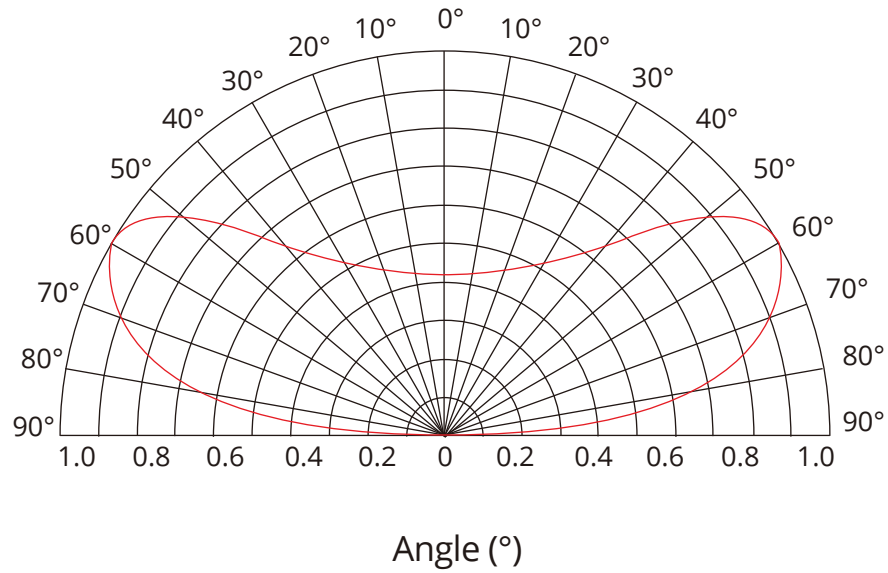
LED AC MODULES

Dimensions

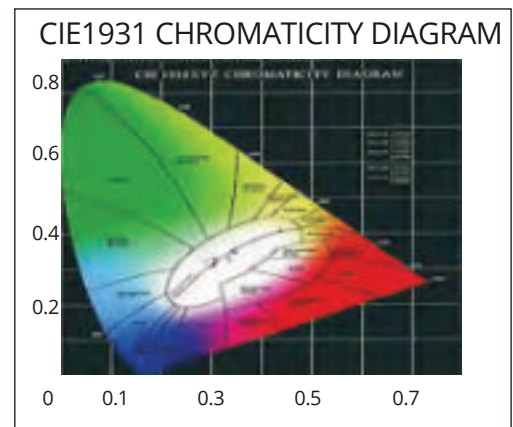
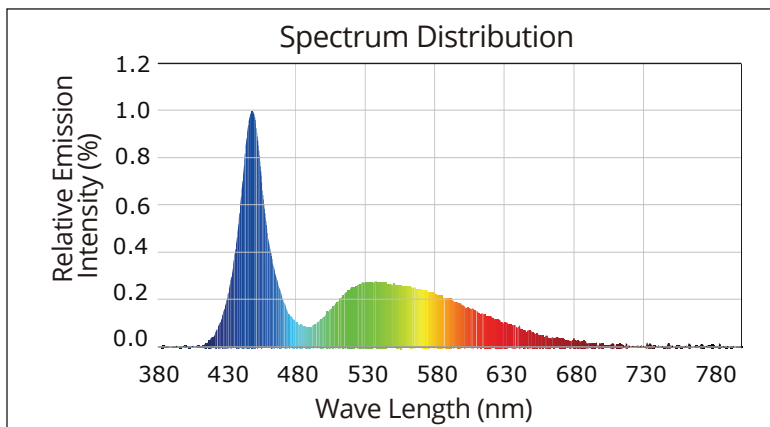


LED AC MODULES

Beam Angle

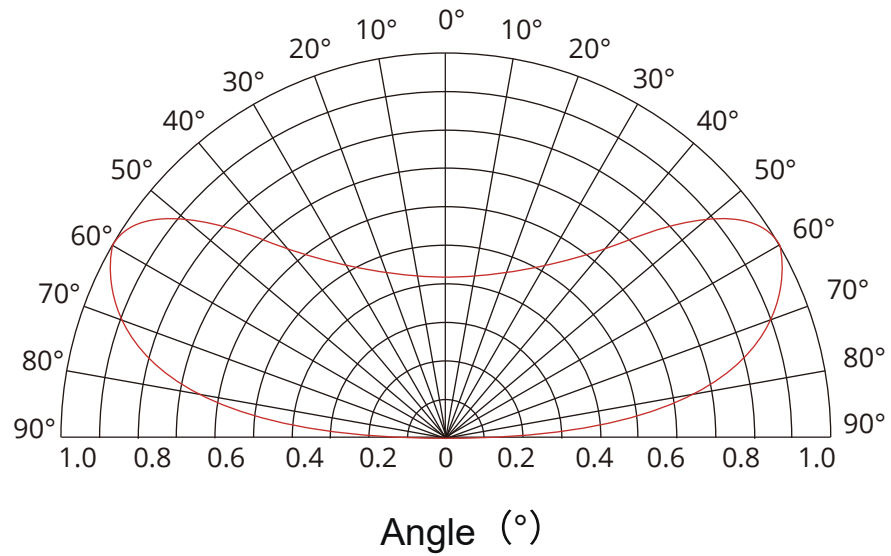


CIE Colorimetric Parameters

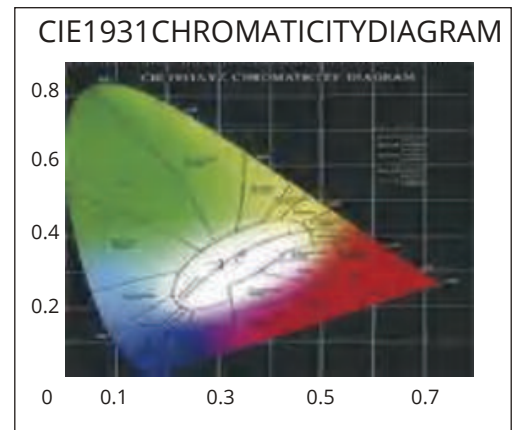
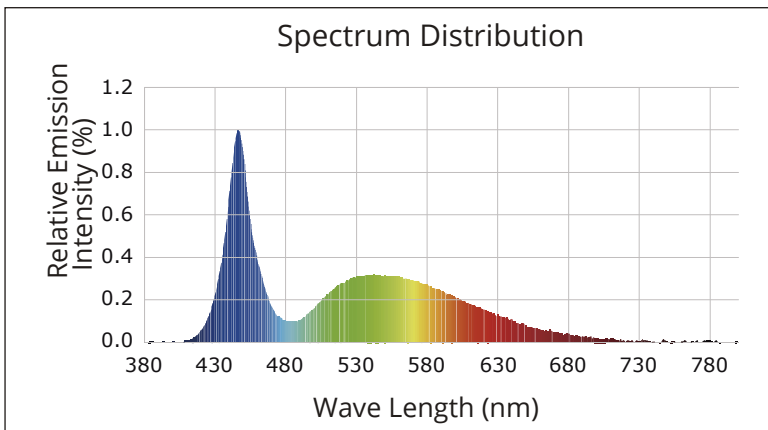


LED AC MODULES

Beam Angle



CIE Colorimetric Parameters

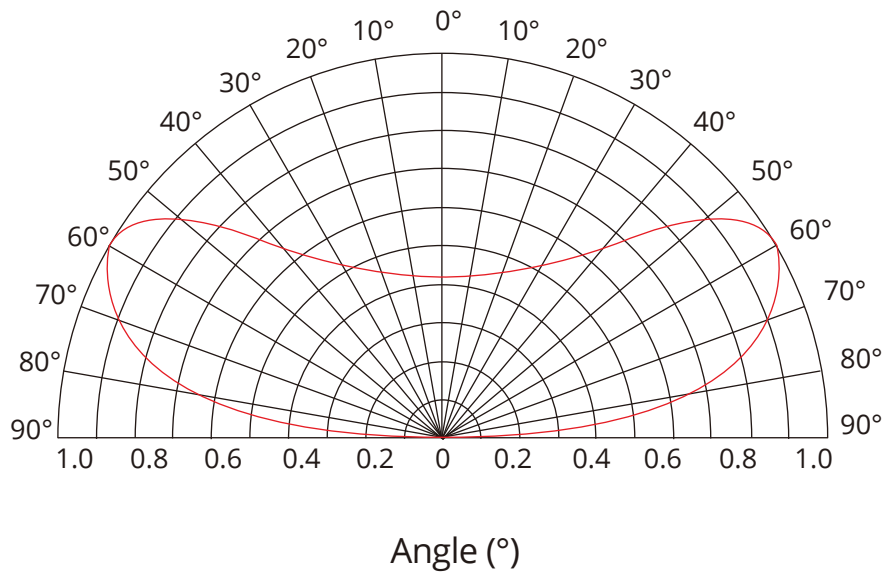


With Epoxy Glue, More Waterproof



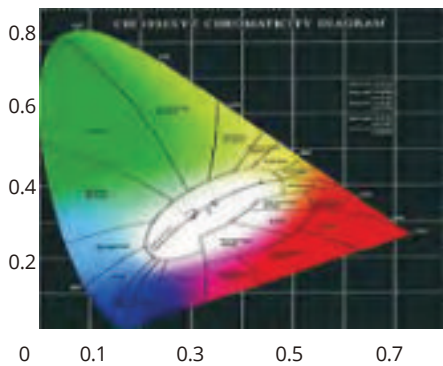
LED AC MODULES

Beam Angle

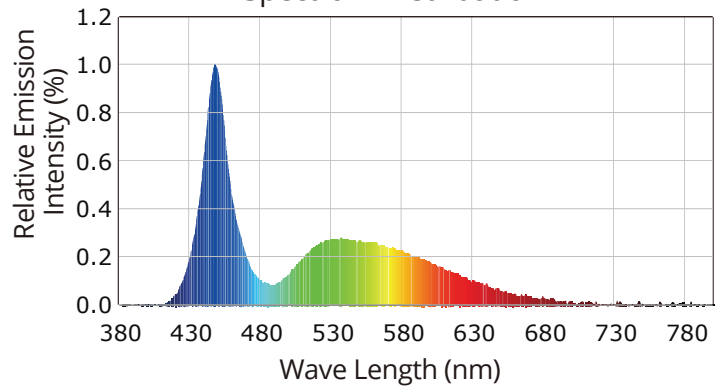


CIE Colorimetric Parameters

CIE1931 CHROMATICITY DIAGRAM



Spectrum Distribution



LED AC MODULES

Packaging

Carton Size (Inches)	Qty/Box	Net Weight	Gross Weight
19.68 x 13.77 x 13.77	50 Pcs/String/1000 Pcs/Box	0.05 LBS	59.52 LBS
16.98 x 13.77 x 13.77	11 Boxes/100 Pcs/String	0.04 LBS	48.50 LBS
16.98 x 13.77 x 13.77	11 Boxes/100 Pcs/String	0.04 LBS	48.50 LBS
16.98 x 13.77 x 13.77	11 Boxes/100 Pcs/String	0.04 LBS	48.50 LBS
16.98 x 13.77 x 13.77	11 Boxes/100 Pcs/String	0.04 LBS	48.50 LBS
16.98 x 13.77 x 13.77	11 Boxes/100 Pcs/String	0.04 LBS	48.50 LBS

LED AC MODULES

Application Image

