

# BACK-LIT PANEL LIGHT



Lumens Depot Foam's LED Backlit Panels are ultra-thin, super bright fixtures designed to deliver uniform illumination with excellent energy efficiency. Featuring a modern backlit design, they provide soft, ambient lighting that enhances comfort and visibility in any space. With five adjustable wattage settings and five selectable CCT options, these panels offer maximum flexibility to suit a variety of lighting needs. Their slim profile and energy-saving LED technology make them an ideal choice for both renovation projects and new construction. Perfect for commercial buildings, libraries, hospitals, offices, hotels, corridors, and more, these panels combine performance, efficiency, and sleek design for reliable, long-lasting lighting solutions.

## Product Features

- Available in 2x2, 1x4 & 2x4
- Up to 125 Lumens per watt
- 5 Adjustable Wattages
- 5 Adjustable CCT 3K/3500K/4K/5K/6500K
- Dimmable 0-10V
- Flicker free driver available
- Uniform light effect with Optic PMMA Lens
- Recessed / Suspended / Surface mount
- Input Voltage 120-277Vac
- UL & DLC Listed
- 5 Year warranty

# BACK-LIT PANEL LIGHT

Wattage Adj.	Lumens	CCT Adj.	Size	Input Voltage	Certifications
20W/25W/30W 35W/40W	5000Lm	3K/3500K/4K 5K/6500K	2'X 2'	120-277Vac	UL & DLC
20W/25W/30W 35W/40W	5000Lm	3K/3500K/4K 5K/6500K	1'X 4'	120-277Vac	UL & DLC
30W/40W/50W 60W/72W	9000Lm	3K/3500K/4K 5K/6500K	2'X 4'	120-277Vac	UL & DLC

## Specifications

Parameter	Description	Value
General Performance	Model #	BLT-PL2X2-40W-A5C5-P
	Wattage Adjustable	20W / 25W / 30W / 35W / 40W
	Lumens	Up to 5000LM
	Lumen Efficacy	Up to 125LM/W
	Color Temperature	3000K / 3500K / 4000K / 5000K / 6500K
	CRI (Ra)	>80
	Beam Angle	120o Degree
	Diffuser Type	PMMA Lens
Electrical	Input Voltage	120-277Vac
	Frequency	50/60Hz
	THD	<20%
	Dimming	0-10V Dimmable
	Power Factor	≥0.90
	Flicker Free	Yes
Physical	Driver Model	HXS
	Operating Temperature	-20°C To 45°C
	Operating Humidity	10% - 90% RH
	Storage Humidity	10% - 90% RH
	LED Brand	Lumileds
	LED Type	SMD 2835
	LED QTY	141 pcs
Qualification	Housing Color	White
	IP Rating	IP40
	Warranty	5 Year warranty

# BACK-LIT PANEL LIGHT

## Specifications

Parameter	Description	Value
General Performance	Model #	PL1X4-40W-A5C5-P
	Watiage Adjustable	20W / 25W / 30W / 35W / 40W
	Lumens	Up to 5000LM
	Lumen Efficacy	Up to 125LM/W
	Color Temperature	3000K / 3500K / 4000K / 5000K / 6500K
	CRI (Ra)	>80
	Beam Angle	120o Degree
	Diffuser Type	PMMA Lens
Electrical	Input Voltage	120-277Vac
	Frequency	50/60Hz
	THD	<20%
	Dimming	0-10V Dimmable
	Power Factor	≥0.90
	Flicker Free	Yes
Physical	Driver Model	HXS
	Operating Temperature	-20°C To 45°C
	Operating Humidity	10% - 90% RH
	Storage Humidity	10% - 90% RH
	LED Brand	Lumileds
	LED Type	SMD 2835
	LED QTY	141 pcs
Qualification	Housing Color	White
	IP Rating	IP40
	Warranty	5 Year warranty

# BACK-LIT PANEL LIGHT

## Specifications

Parameter	Description	Value
General Performance	Model #	BLT-PL2X4-72W-A5C5-P
	Watiage Adjustable	30W / 40W / 50W / 60W / 72W
	Lumens	Up to 9000LM
	Lumen Efficacy	Up to 125LM/W
	Color Temperature	3000K / 3500K / 4000K / 5000K / 6500K
	CRI (Ra)	>80
	Beam Angle	120o Degree
	Diffuser Type	PMMA Lens
Electrical	Input Voltage	120-277Vac
	Frequency	50/60Hz
	THD	<20%
	Dimming	0-10V Dimmable
	Power Factor	≥0.90
	Flicker Free	Yes
Physical	Driver Model	HXS
	Operating Temperature	-20°C To 45°C
	Operating Humidity	10% - 90% RH
	Storage Humidity	10% - 90% RH
	LED Brand	Lumileds
	LED Type	SMD 2835
	LED QTY	150 pcs
Qualification	Housing Color	White
	IP Rating	IP40
	Warranty	5 Year warranty

# BACK-LIT PANEL LIGHT

## Accessories

2'x2'



2'x2'



Surface Mounting Kit

1'x4'



1'x4'



Surface Mounting Kit

2'x4'



2'x4'



Surface Mounting Kit



Suspension Kit



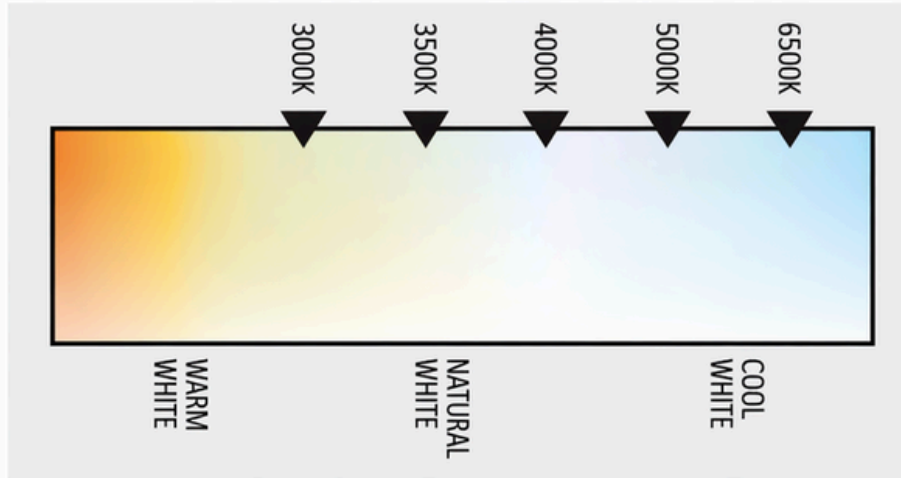
Optional  
Emergency Driver



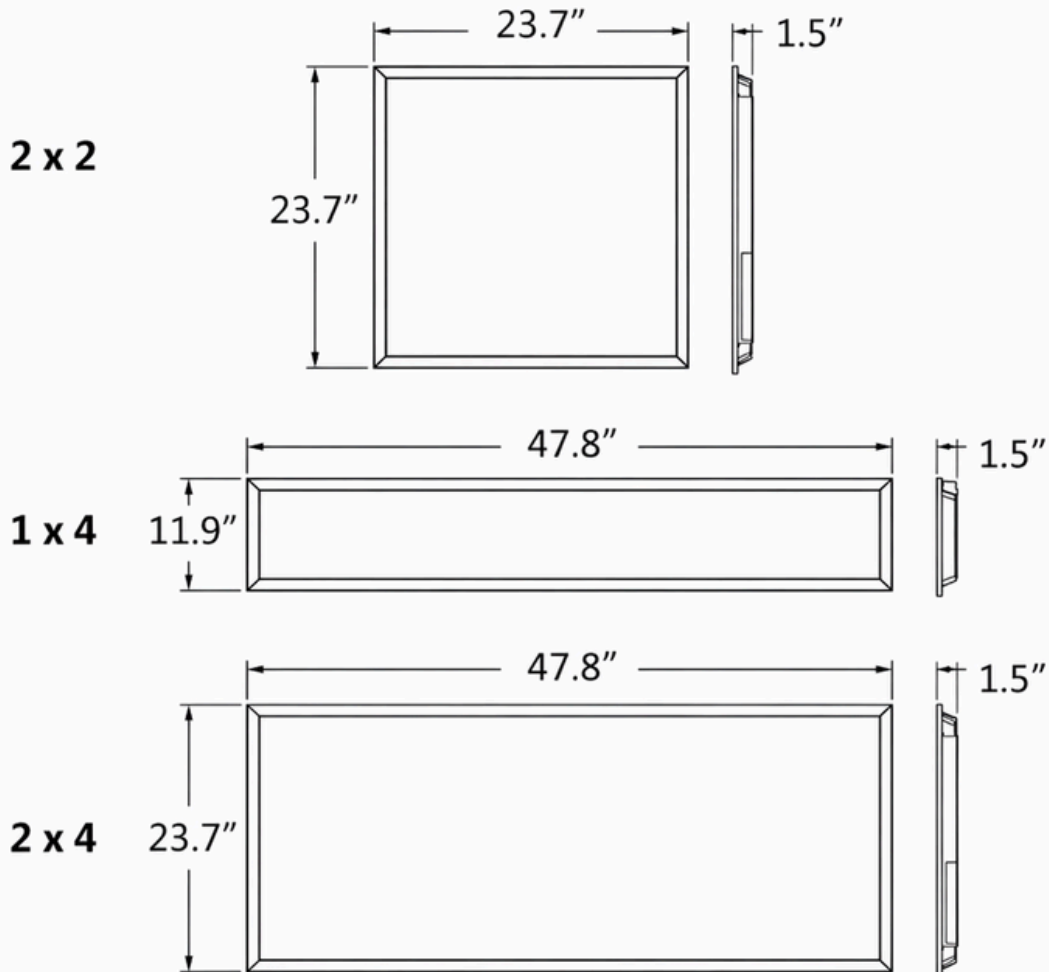
PIR Motion Sensor

# BACK-LIT PANEL LIGHT

## Correlated Color Temperature (CCT)



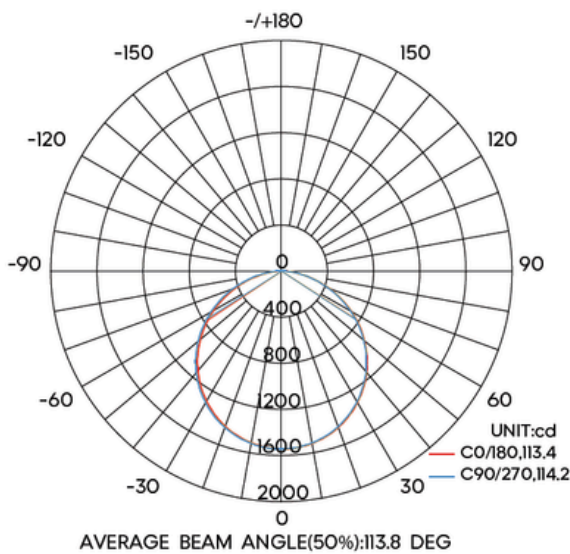
## Dimensions



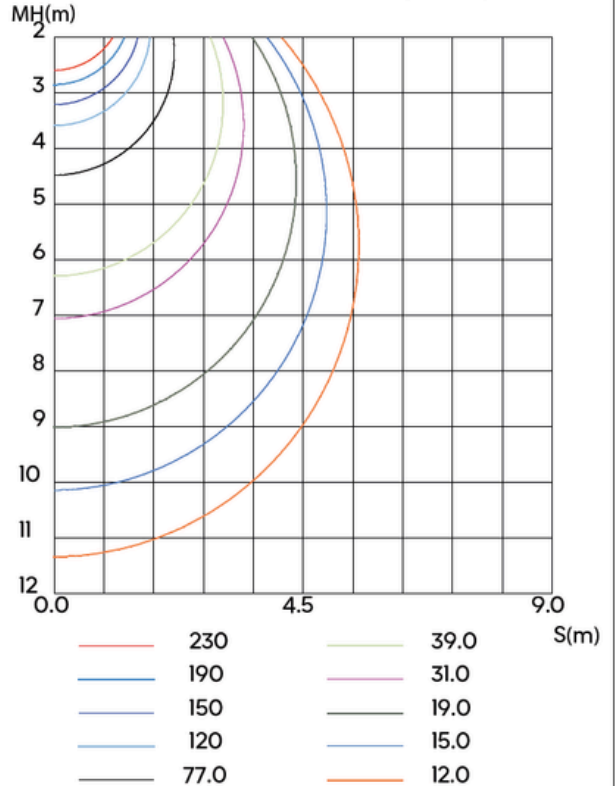
# BACK-LIT PANEL LIGHT

## Photometric Data

LUMINOUS INTENSITY DISTRIBUTION DIAGRAM



CO PLANE ISOLUX DIAGRAM (UNIT:lx)



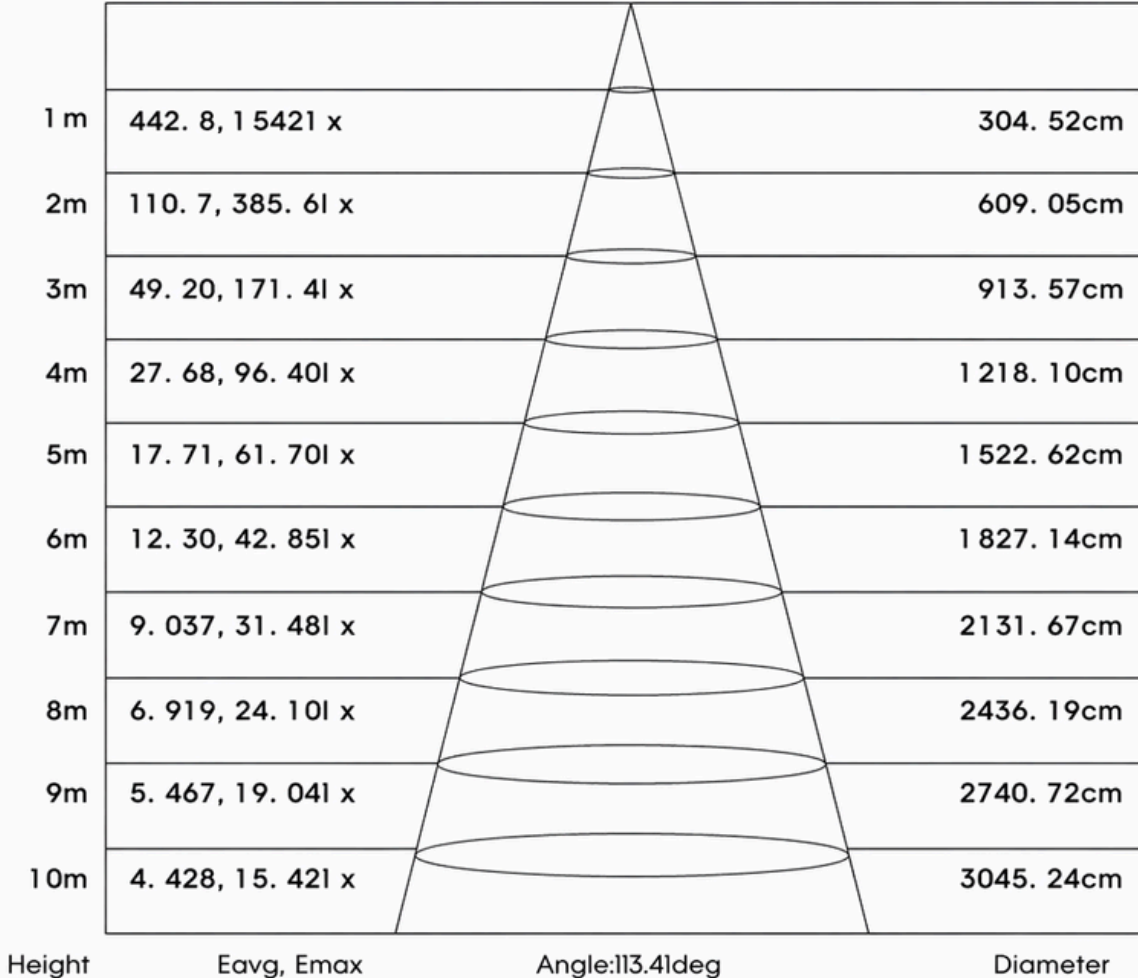
C Range: 0 - 360DEG  
 C Interval: 45.0DEG  
 Test Speed: HIGH  
 Temperature: 25.3°C  
 Operators: LIXIAOFEI  
 Test Date: 2023-10-30

$\gamma$  Range: 0 - 90DEG  
 $\gamma$  Interval: 1.0DEG  
 Test System: EVERFINE GO-2000H\_V1 SYSTEM V2.00.456  
 Humidity: 65.0%  
 Test Distance: 9.750m [K=1.0000]  
 Remarks:

# BACK-LIT PANEL LIGHT

## Photometric Data

Flux out :3299 lm



Note:The Curves indicate the illuminated area and the average illumination when the luminaire is at different distance.

C Range: 0 - 360DEG

C Interval: 45.0DEG

Test Speed: HIGH

Temperature: 25.3°C

Operators: LIXIAOFEI

Test Date: 2023-10-30

Y Range: 0 - 90DEG

Y Interval: 1.0DEG

Test System: EVERFINE GO-2000H\_V1 SYSTEM V2.00.456

Humidity: 65.0%

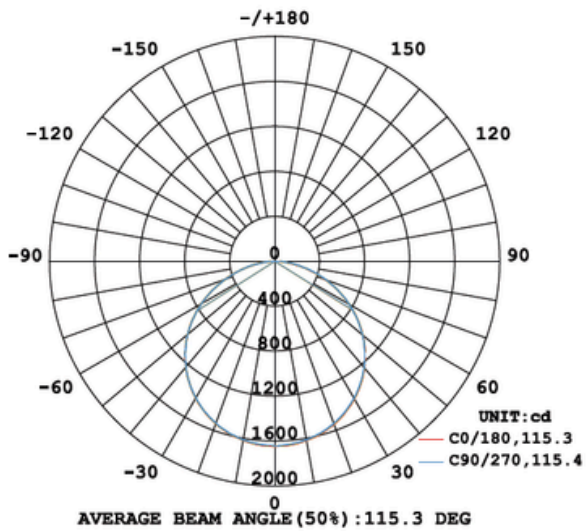
Test Distance: 9.750m [K=1.0000]

Remarks:

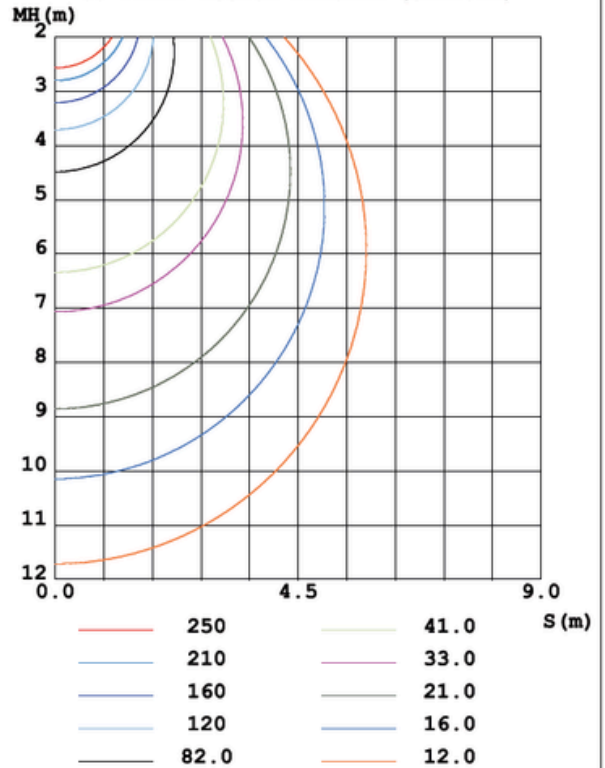
# BACK-LIT PANEL LIGHT

## Photometric Data

LUMINOUS INTENSITY DISTRIBUTION DIAGRAM



C0 PLANE ISOLUX DIAGRAM (UNIT:lx)



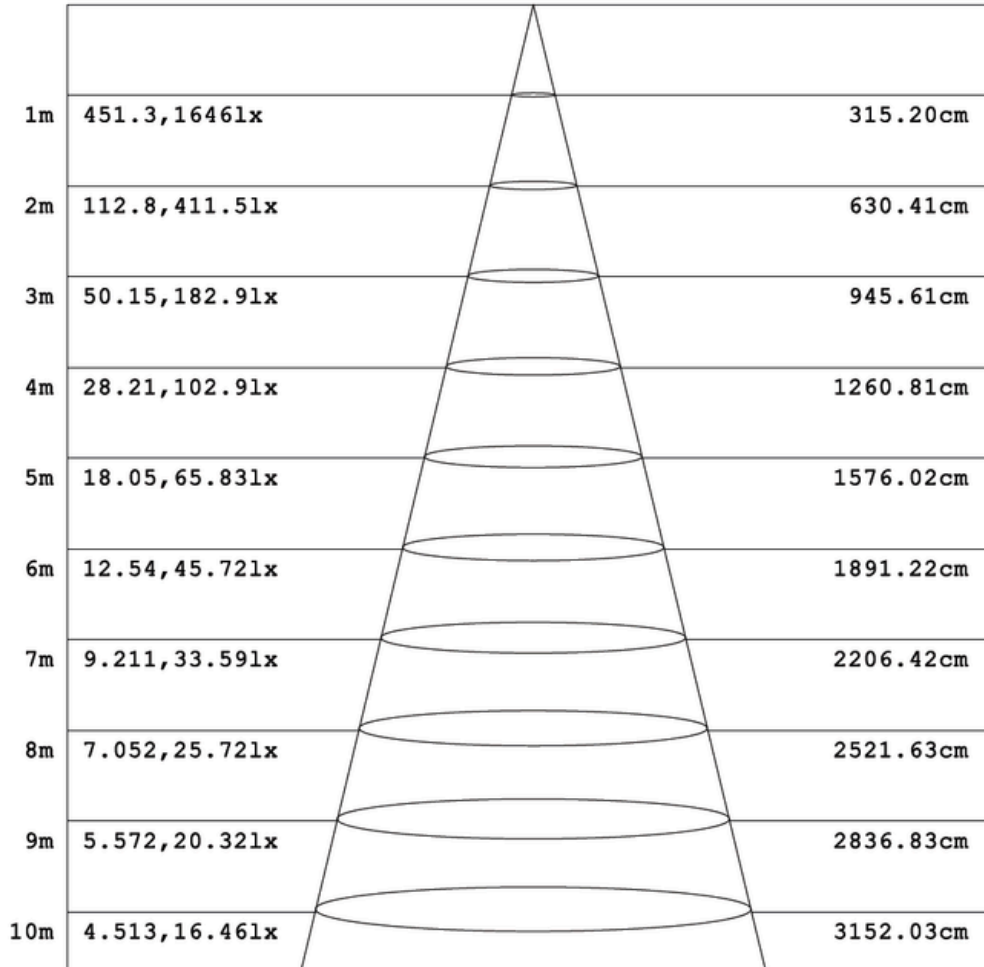
C Range: 0 - 360DEG  
 C Interval: 22.5DEG  
 Test Speed: HIGH  
 Temperature: 25.3°C  
 Operators: DAMIN  
 Test Date: 2022-11-17

□ Range: 0 - 90DEG  
 □ Interval: 1.0DEG  
 Test System: EVERFINE GO-2000H\_V1 SYSTEM V2.00.461  
 Humidity: 65.0%  
 Test Distance: 9.680m [K=1.0000]  
 Remarks:

# BACK-LIT PANEL LIGHT

## Photometric Data

Flux out:3631 lm



Height                      Eavg, Emax                      Angle:115.21deg                      Diameter

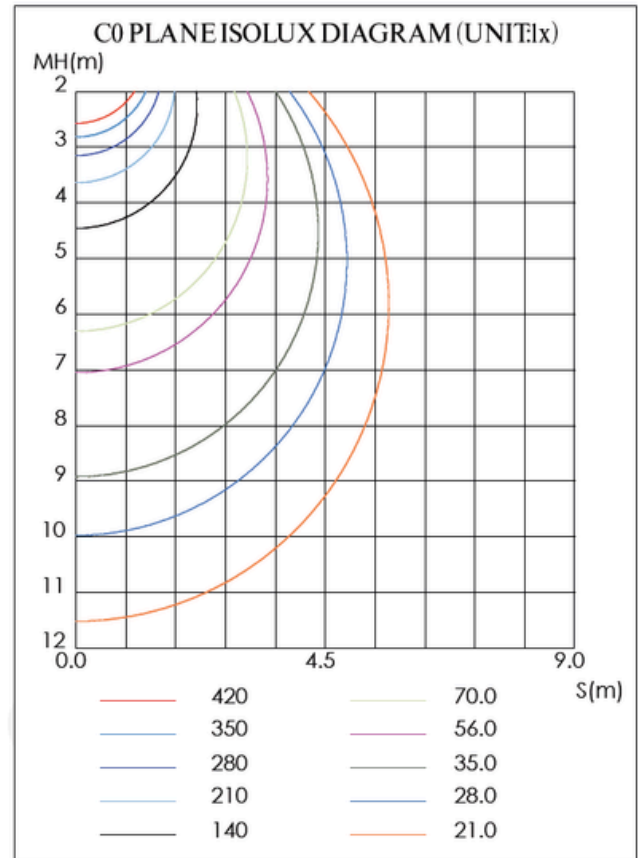
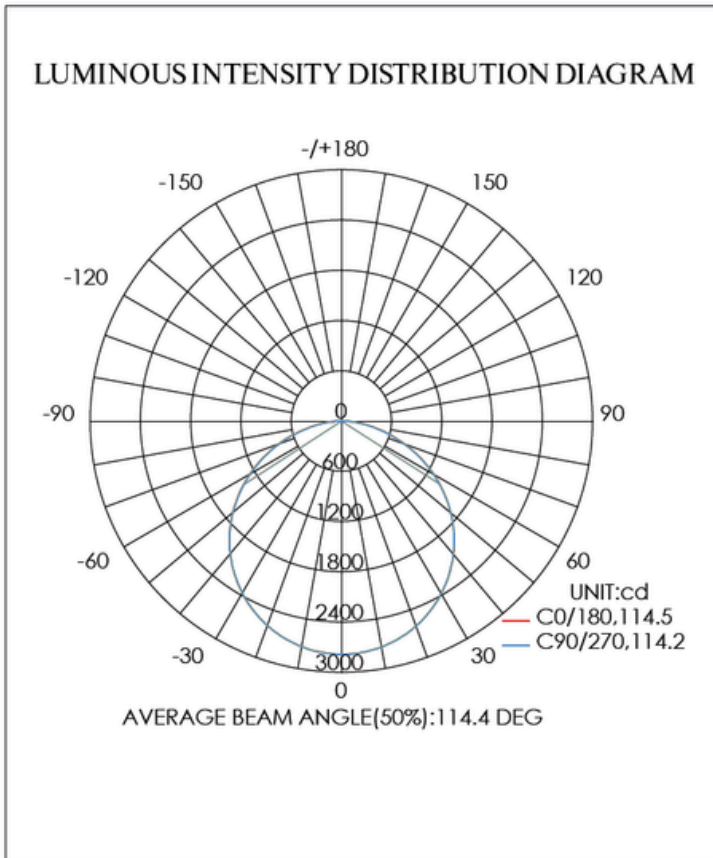
**Note:**The Curves indicate the illuminated area and the average illumination when the luminaire is at different distance.

C Range: 0 - 360DEG  
 C Interval: 22.5DEG  
 Test Speed: HIGH  
 Temperature: 25.3°C  
 Operators: DAMIN  
 Test Date: 2022-11-17

□ Range: 0 - 90DEG  
 □ Interval: 1.0DEG  
 Test System: EVERFINE GO-2000H\_V1 SYSTEM V2.00.461  
 Humidity: 65.0%  
 Test Distance: 9.680m [K=1.0000]  
 Remarks:

# BACK-LIT PANEL LIGHT

## Photometric Data

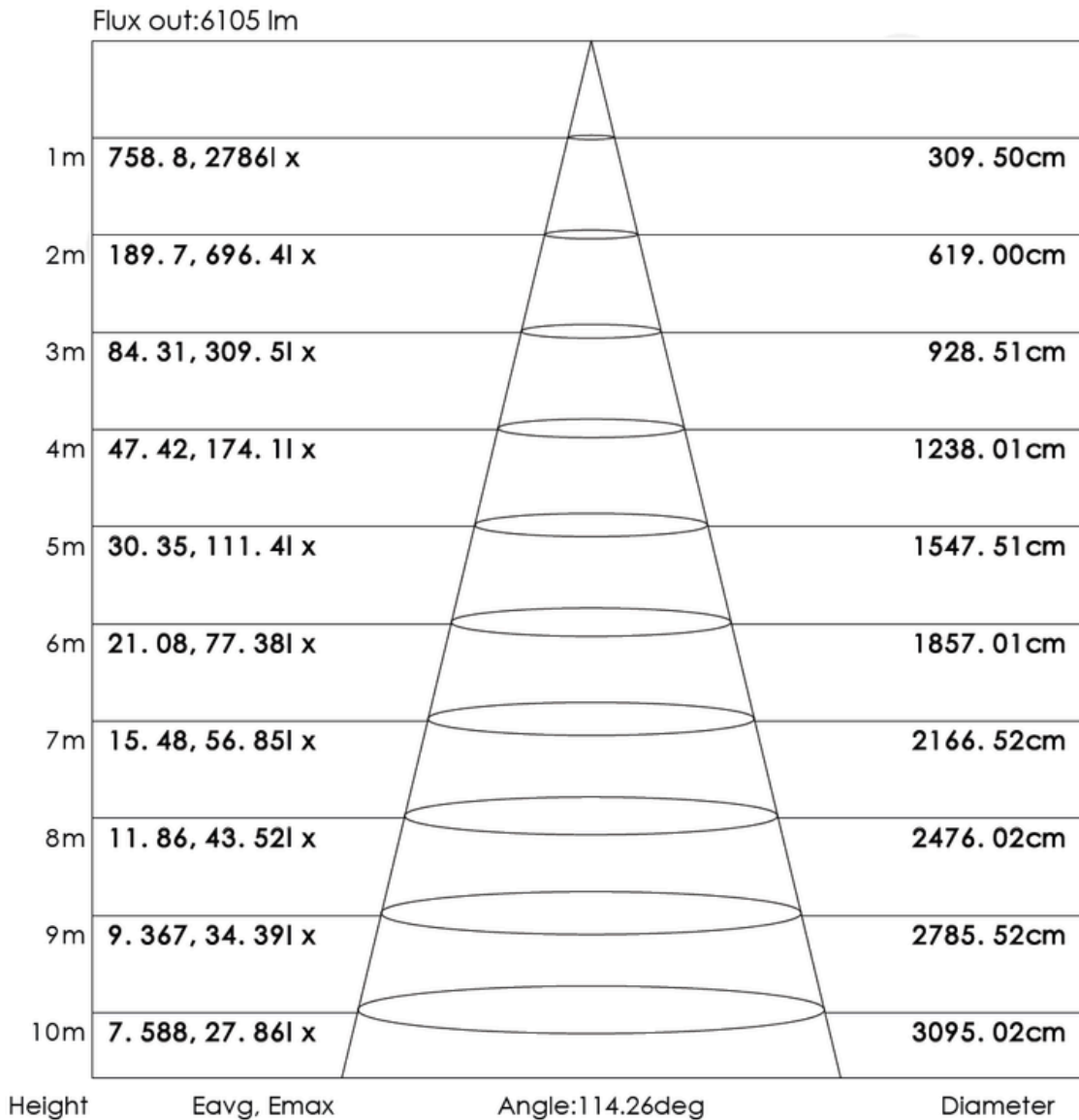


C Range: 0 - 360DEG  
 C Interval: 22.5DEG  
 Test Speed: HIGH  
 Temperature: 25.3°C  
 Operators: DAMIN  
 Test Date: 2023-04-27

γ Range: 0 - 90DEG  
 γ Interval: 1.0DEG  
 Test System: EVERFINE GO-2000H\_V1 SYSTEM V2.00.456  
 Humidity: 65.0%  
 Test Distance: 9.850m [K=1.0000]  
 Remarks:

# BACK-LIT PANEL LIGHT

## Photometric Data



Note: The Curves indicate the illuminated area and the average illumination when the luminaire is at different distance.

C Range: 0 - 360DEG  
 C Interval: 22.5DEG  
 Test Speed: HIGH  
 Temperature: 25.3°C  
 Operators: DAMIN  
 Test Date: 2023-04-27

γ Range: 0 - 90DEG  
 γ Interval: 1.0DEG  
 Test System: EVERFINE GO-2000H\_V1 SYSTEM V2.00.456  
 Humidity: 65.0%  
 Test Distance: 9.850m [K=1.0000]  
 Remarks:

# BACK-LIT PANEL LIGHT

## Installation

### ■ Safety Instruction:

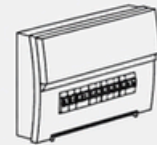
Basic safety precautions should always be followed when installing, including the following:

1. Read instructions carefully before installing.
2. This LED Panel requires professional installation and maintenance.
3. The power supply of the LED Panel should be powered by a dedicated external LED driver.
4. Disconnect the power supply before installing or maintenance.
5. Make sure the wires have been properly connected before powering on the device.
6. Ensure the product has enough space for heat dissipation.
7. Ensure the luminaries are never covered by any heat insulation mat or slim layer material at anytime.
8. This product is to be installed by a qualified electrician only.
9. Suitable for damp location use.

### ■ Installation Procedure

#### ⚡ WARNING:

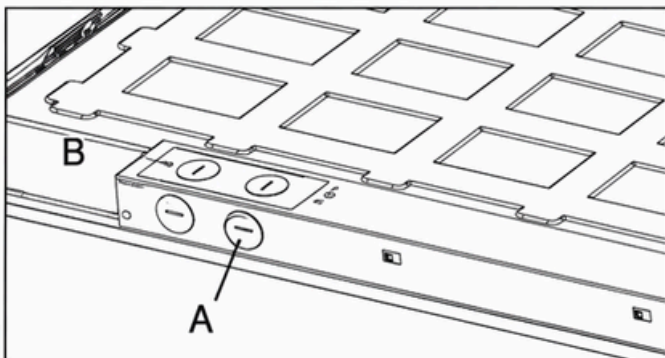
1. Switch off before installation.
2. Switch on only after complete installation and examination of the circuit.
3. Product modification and improper installation are not valid for warranty!



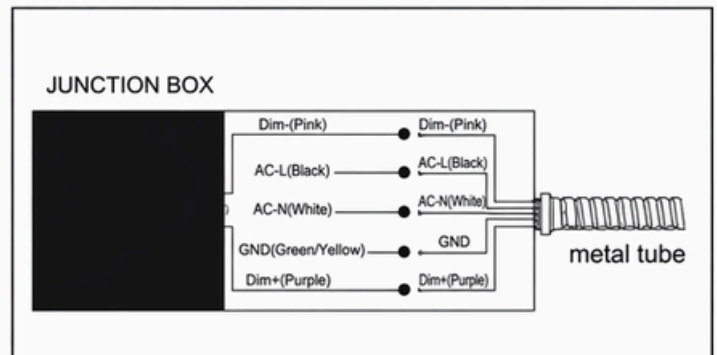
Turn Off  
Power Supply

#### ⚠ CAUTION:

Make sure that the mounting surface or structural member used for installation can support the weight of LED Panel.



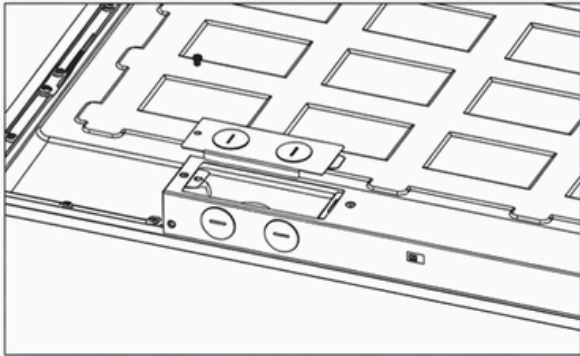
- (1) Remove the knock-down hole on box by screwdriver (Part A), Remove screw and take out the driver cover (Part B)



- (2) Connect the wire as the picture showing.

# BACK-LIT PANEL LIGHT

## Installation



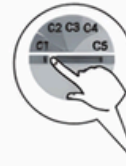
(3) Cover the driver box and tighten it with a screwdriver, finish connection.

For the product with Slide Switch of CCT or power selection, please select the CCT or power needed before installation.

Slide switch for power selection

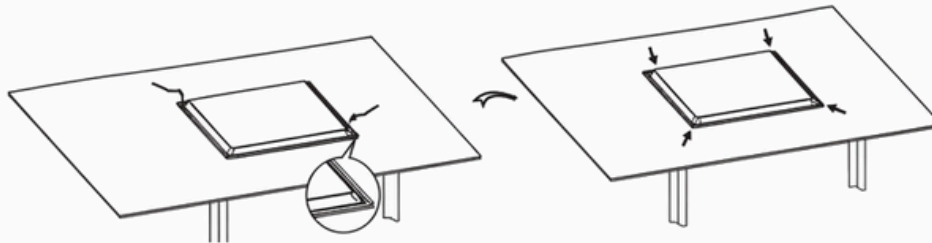


Slide switch for color selection

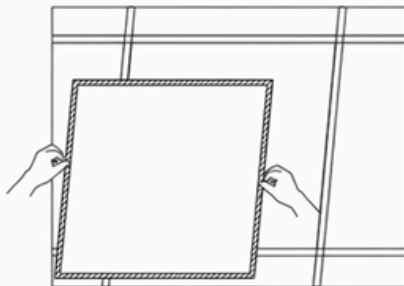


Lamp inspection before installation: Take out the lamp from the box and put it in a flat table, if the lamp upwards, please adjust the lamp with below steps before installation:

1. Press the opposite angles at the same time;
2. Press another two opposite angles at the same time, make sure the four angles are flat, then start the installation.

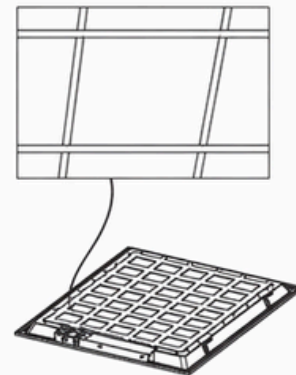


## Recessed

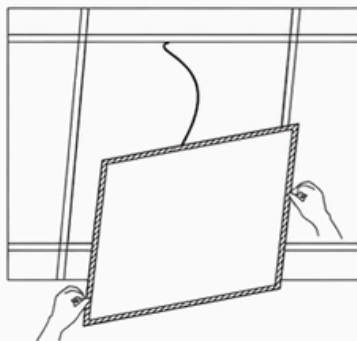


① Remove the ceiling plaster slab.

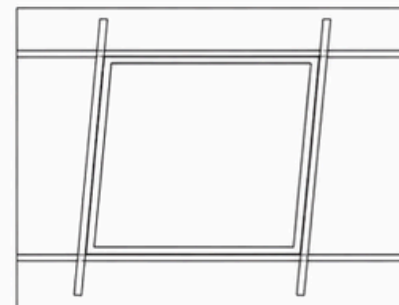
② Feed the main AC wire in driver terminal block respectively, connect the panel light and driver.



③ Fix the panel light into plaster ceiling.



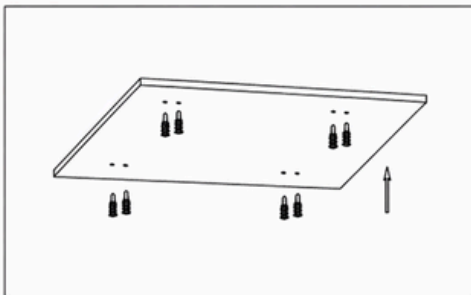
④ Make sure the led panel light is firmly fixed, turn on the power.



# BACK-LIT PANEL LIGHT

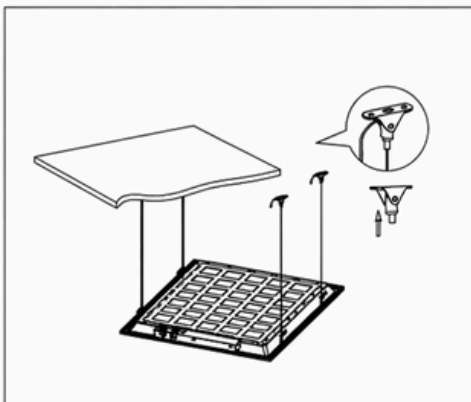
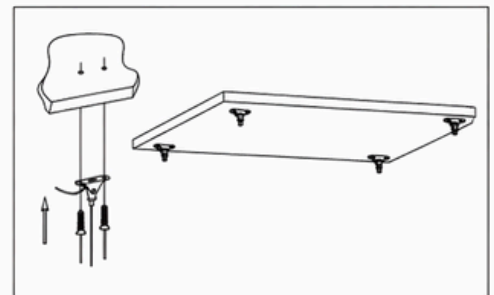
## Installation

### Suspended



←  
① Fix the anchor into target place on the ceiling.

② Fix the installation mount on the ceiling with plastic anchor.



←  
③ Hang the panel to ceiling with suspended installation kits, adjust the length of steel wires.

④ Feed the main AC wire in driver terminal block respectively, turn on the power.



#### Warning:

Input wire diameter  $\geq 0.75\text{mm}^2$ ;

Product modification and improper installation are not valid for warranty!

# BACK-LIT PANEL LIGHT

## Packaging

Size	Dimension	Qty	Net Weight	Gross Weight
2 x 2	25.78 x 12.79 x 25.70	6 Pcs/Ctn	23.3 LBS	30.6 LBS
1 x 4	49.80x12.80 x13.90"	6 Pcs/Ctn	29.10 LBS	36.15 LBS
2 x 4	49.80 x 8.66 x 25.70"	4 Pcs/Ctn	35.27 LBS	43.21 LBS

## Application



# BACK-LIT PANEL LIGHT

## Application



# BACK-LIT PANEL LIGHT

## Application

