

LED CLOUD PANEL



Lumens Depot Foam's 3rd Gen LED Backlit Panel is a high-performance and cost-effective lighting solution designed to deliver ultra-thin, bright, and uniformly distributed illumination. Engineered for efficiency, it offers adjustable wattage and selectable CCT, making it adaptable to a wide range of lighting environments.

Featuring a sleek backlit design, it provides soft, ambient lighting that enhances the overall look and comfort of any space. Its slim profile and advanced LED technology make it an excellent choice for both retrofit projects and new construction.

Ideal for commercial applications such as offices, hospitals, libraries, hotels, and corridors, this panel ensures reliable and energy-efficient performance. Equipped with a high-quality lens for consistent, glare-free illumination, it also supports multiple mounting options—including recessed, suspended, and surface mounting—offering maximum versatility for various installation needs.

Product Features

- Lumen VariesWithDesign
- Adjustable wattage
- Adjustable CCT
- 0-10V Dimmable
- 120° Beam Angle
- Super slim, durable design
- Built-in earthquake clips
- Input Voltage 110-277VAC
- ETL listed
- 5-year warranty

LED CLOUD PANEL

ADJ. WATT	MAX LUMENS	ADJ. CCT	INPUT VOLTAGE	CRI	SIZE	LIGHT SPREAD	CONSTRUCTION	DIMMING	CERTIFICATIONS
20W/25W/30W/ 35W/40W	Varies with Design	3K/3500K/4K/ 5K/6500K	100-277V	>80	2x2	120°	Metal	0-10V	ETL
30W/40W/50W/ 60W/72W	Varies with Design	3K/3500K/4K/ 5K/6500K	100-277V	>80	2x4	120°	Metal	0-10V	ETL
30W/40W/50W/ 60W/72W	Varies with Design	3K/3500K/4K/ 5K/6500K	100-277V	>80	2x4	120°	Metal	0-10V	ETL

Specifications

Parameter	Description	Value
General Performance	Model #	ZS-BL22-S40-3065
	Adjustable Watt	20W/25W/30W/35W/40W
	Max Lumen	Varies With Design
	Lumen Efficacy	Varies With Design
	Color Temperature	3000K/3500K/4000K/5000K/6500K
	CRI (Ra)	>80
	Light Spread	120°
	Diffuser Type	PS Cover
Electrical	Input Voltage	100V-277V
	Frequency	50-60Hz
	Dimming	0-10V
	Power Factor	>0.95
	Flicker Percent	Yes
	THD	<10%
Physical	Operating Temperature	-20°C to 35°C
	Operating Humidity	20% - 75%
	Storage Temperature	N/A
	Storage Humidity	N/A
	LED Brand	Everfine
	LED Type	SMD2835
	LED Qty.	72 Pcs
	Construction	Metal
Qualification	Housing Color	White
	IP Rating	IP20
	Warranty	5 Years

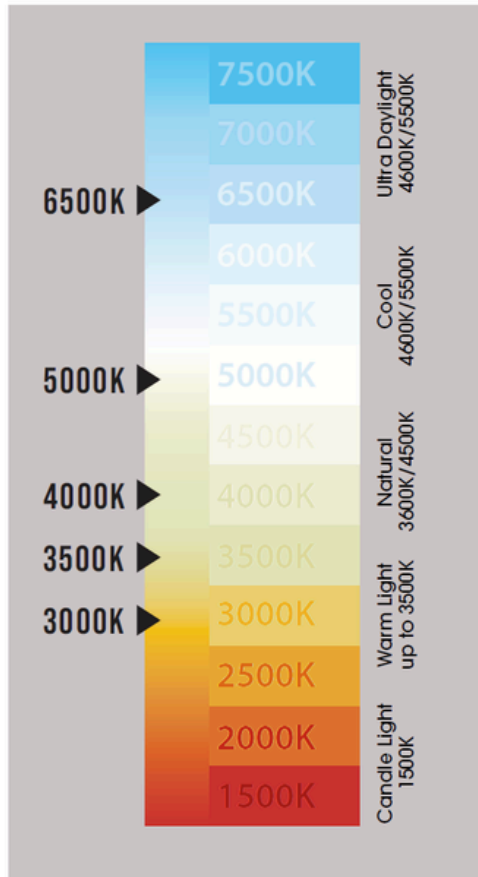
LED CLOUD PANEL

Specifications

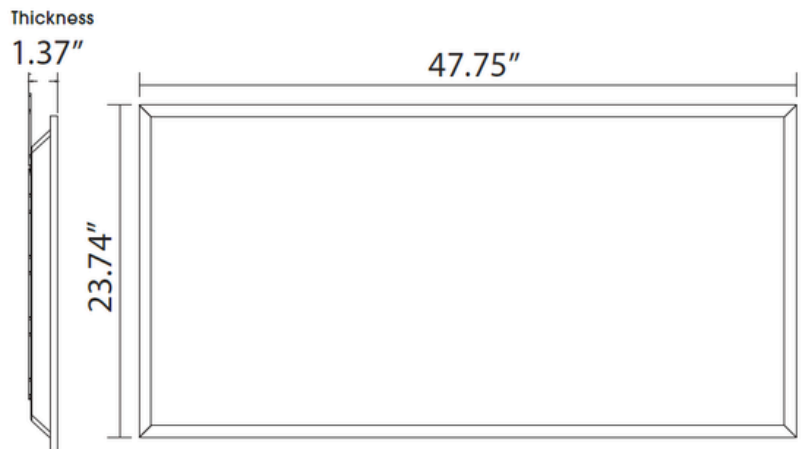
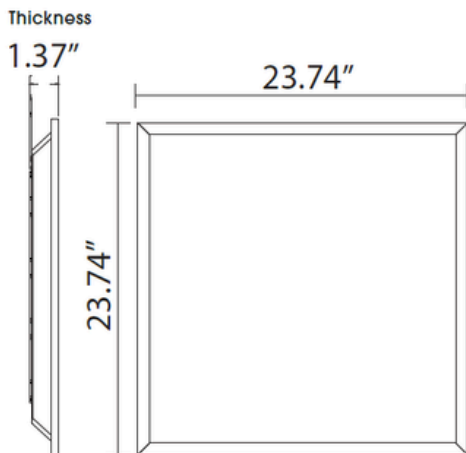
Parameter	Description	Value
General Performance	Model #	ZS-BL24-S72-3065
	Adjustable Watt	30W/40W/50W/60W/72W
	Max Lumen	Varies With Design
	Lumen Efficacy	Varies With Design
	Color Temperature	3000K/3500K/4000K/5000K/6500K
	CRI (Ra)	>80
	Light Spread	120°
	Diffuser Type	PC
Electrical	Input Voltage	100V-277V
	Frequency	50-60Hz
	Dimming	0-10V
	Power Factor	>0.9
	Flicker Percent	Yes
	THD	<10%
Physical	Operating Temperature	-20°C to 35°C
	Operating Humidity	20% - 75%
	Storage Temperature	N/A
	Storage Humidity	N/A
	LED Brand	Everfine
	LED Type	SMD2835
	LED Qty	180 Pcs
	Construction	Metal
Qualification	Housing Color	White
	IP Rating	IP20
	Warranty	5 Years

LED CLOUD PANEL

Correlated Color Temperature (CCT)

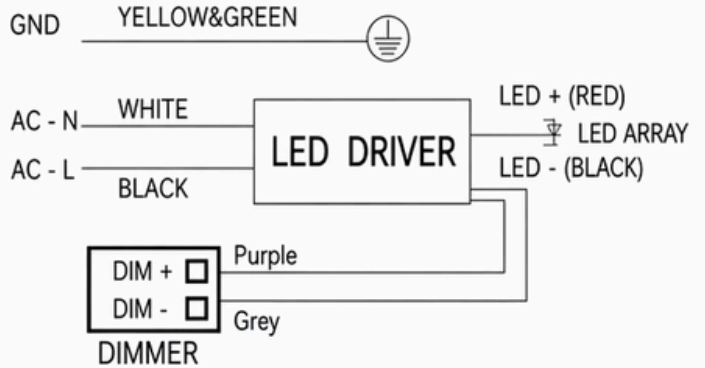
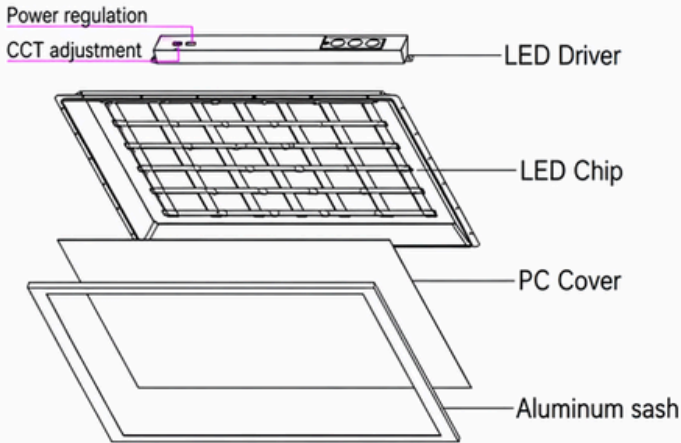


Dimensions



LED CLOUD PANEL

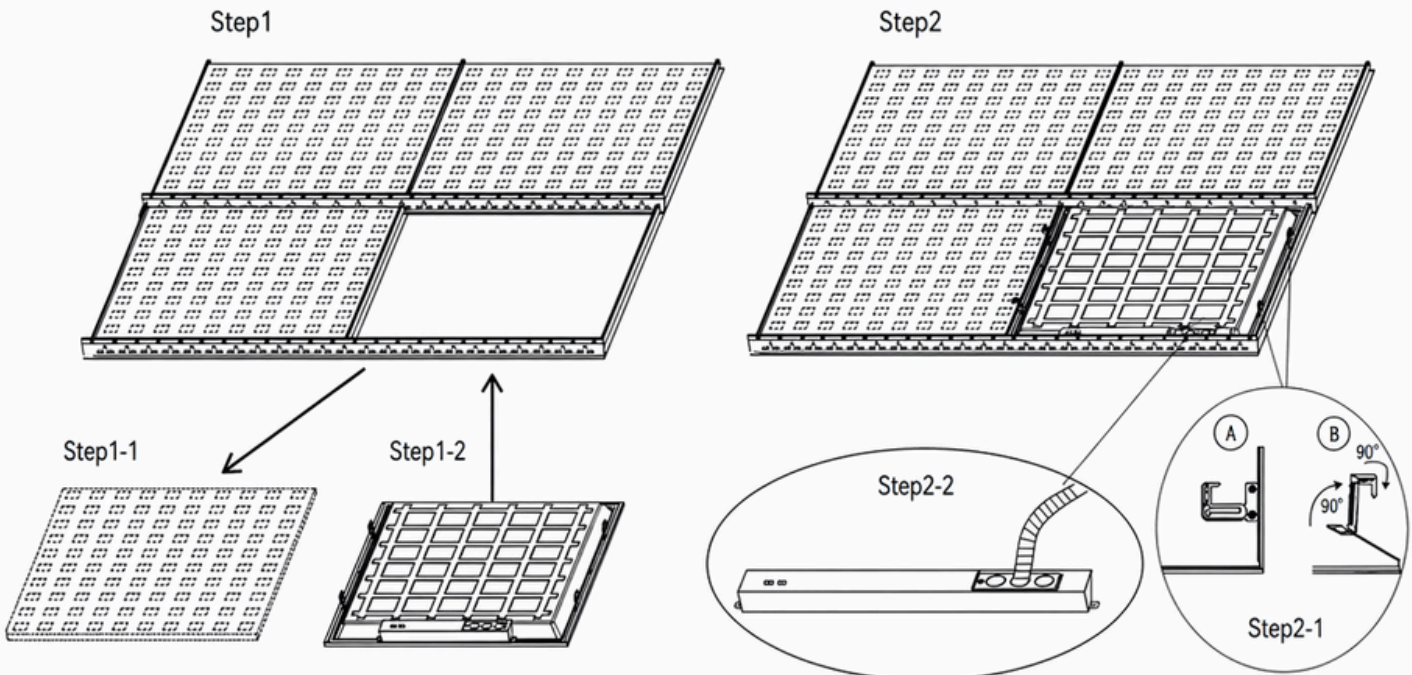
Installation



Electric Shock Attention

Ensure the power supply has been cut off before connecting the wire, and all wiring and installation of this product are required to be operated by professionals.

INSTALLATION INSTRUCTION



LED CLOUD PANEL

Installation

- Step 1:** Make sure of all the power is off before installing. Remove the one ceiling tile that you need to install light fixture on. Then place the light fixture on the T-bar carefully and make sure it is correctly in place and secure.
- Step 2:** Lift the 4 buckles on the back of the panel up by 90° then bend the top part of the buckles 90° towards the direction where you can anchor the light fixture to the T-bar.
- Step 3:** Place the driver on top of the lighting fixture in the back. Connect the cable between the driver and the lighting fixture. Open the driver's junction box and connect the AC wire to the driver correctly (L=black & N=white)

WARNING:

1. Please read the instructions carefully before installation.
2. Please make sure the power is off before installation.
3. The installation can only be done by certified electricians.
4. Product rated voltage is 100-277Volts. Please make sure voltage range meets the requirements
5. please don't use chemicals to clean the lighting surface.

LED CLOUD PANEL

Packaging

Panel Size	Qty.	Box Dimensions	Net Weight	Gross Weight
2 X 2	4 Pcs/Box	25.6" X 6.1" X 25.6"	15.5 LBS	18.7 LBS
2 X 4	4 Pcs/Box	49.6" x 6.10" x 25.6"	35.3 LBS	39.7 LBS
2 X 4	2 Pcs/Box	49.6" x 6.10" x 25.6"	18.7 LBS	20.9 LBS

Application Image



LED CLOUD PANEL

Application Image

