

LED CENTER BASKET TOFFER



Lumens Depot Foam's LED Center Basket Troffer is designed to deliver uniform illumination and superior energy savings, making it an ideal upgrade from traditional T5, T8, or T12 fluorescent troffers. Featuring a sleek center-basket design, it provides soft, glare-free ambient lighting, perfect for both renovation projects and new construction. With five adjustable wattage settings and five selectable CCT options, this fixture offers maximum flexibility to meet a wide range of lighting needs while ensuring high efficiency and long-term reliability. Delivering up to 135 lumens per watt, it enhances energy performance without compromising brightness. A wide 120° beam angle ensures even light distribution across spaces, while 0–10V dimming capability allows precise control over light levels, further optimizing energy savings and user comfort.

Product Features

- Up to 135 lm/W
- Available in 2x2 & 2x4
- Adjustable wattage
- Adjustable CCT
- 120° Beam Angle
- 0-10V Dimmable
- White housing
- Input Voltage 120-277VAC
- UL & DLC listed
- 5-year warranty

LED CENTER BASKET TOFFER

ADJ. WATT	MAX LUMENS	ADJ. CCT	INPUT VOLTAGE	CRI	SIZE	LIGHT SPREAD	CONSTRUCTION	DIMMING	CERTIFICATIONS
20W/25W/30W/ 35W/40W	5400	3K/3500K/4K/ 5K/6500K	120-277V	>80	2X2	120°	Steel+PC	0-10V	UL & DLC
30W/40W/50W 60W/72W	9720	3K/3500K/4K/ 5K/6500K	120-277V	>80	2X4	120°	Steel+PC	0-10V	UL & DLC

Specifications

Parameter	Description	Value
General Performance	Model #	TR01-22-40W-P-A5C5
	Adjustable Watt	20W / 25W / 30W / 35W / 40W
	Max Lumen	5400
	Lumen Efficacy	Up to 135LM/W
	Color Temperature	3K / 3500K / 4K / 5K / 6500K
	CRI (Ra)	>80
	Light Spread	120o
	Diffuser Type	PC
Electrical	Input Voltage	120-277Vac
	Frequency	50/60 Hz
	Dimming	0-10V Dimmable
	Power Factor	>0.9
	Flicker	Flicker free driver available
	THD	<20%
Physical	Driver Brand	HXS
	Driver Model	HXS072-UL
	Operating Temperature	-20oC to 40oC
	Operating Humidity	10% - 90% RH
	Storage Temperature	-20oC to 45oC
	Storage Humidity	10% - 90% RH
	LED Brand	Lumileds
	LED Type	2835
	LED QTY	480 Pcs
Qualification	Housing Material	Steel
	Housing Color	White
	IP Rating	IP20
	Warranty	5 Year

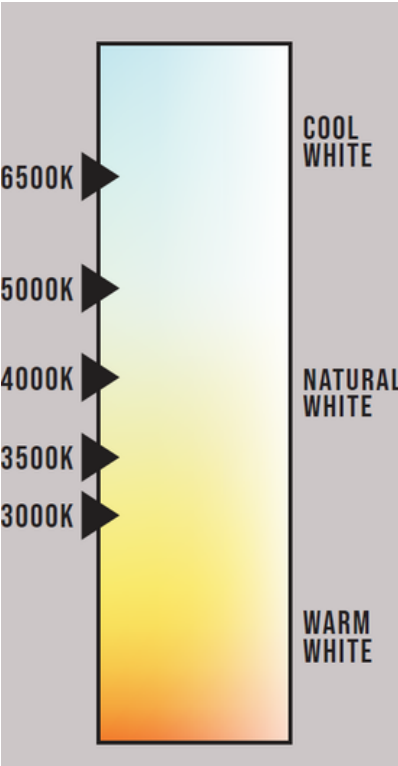
LED CENTER BASKET TOFFER

Specifications

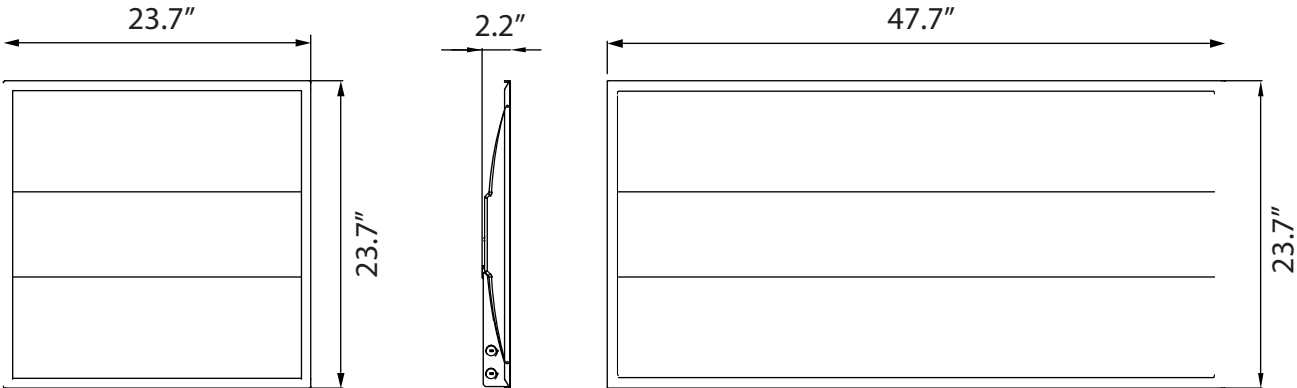
Parameter	Description	Value
General Performance	Model #	TR01-24-72W-P-A5C5
	Adjustable Watt	30W / 40W / 50W / 60W / 72W
	Max Lumen	9720
	Lumen Efficacy	Up to 135LM/W
	Color Temperature	3000K / 3500K / 4000K / 5000K / 6500K
	CRI (Ra)	>80
	Light Spread	120o
	Diffuser Type	PC
Electrical	Input Voltage	120-277Vac
	Frequency	50/60 Hz
	Dimming	0-10V Dimmable
	Power Factor	>0.9
	Flicker	Flicker free driver available
	THD	<20%
Physical	Driver Brand	HXS
	Driver Model	HXS072-UL
	Operating Temperature	-20oC to 40oC
	Operating Humidity	10% - 90% RH
	Storage Temperature	-20oC to 45oC
	Storage Humidity	10% - 90% RH
	LED Brand	Lumileds
	LED Type	2835
	LED QTY	720 Pcs
	Construction	Steel
Qualification	Housing Color	White
	IP Rating	IP20
	Warranty	5 Year

LED CENTER BASKET TOFFER

Correlated Color Temperature (CCT)



Dimensions



LED CENTER BASKET TOFFER

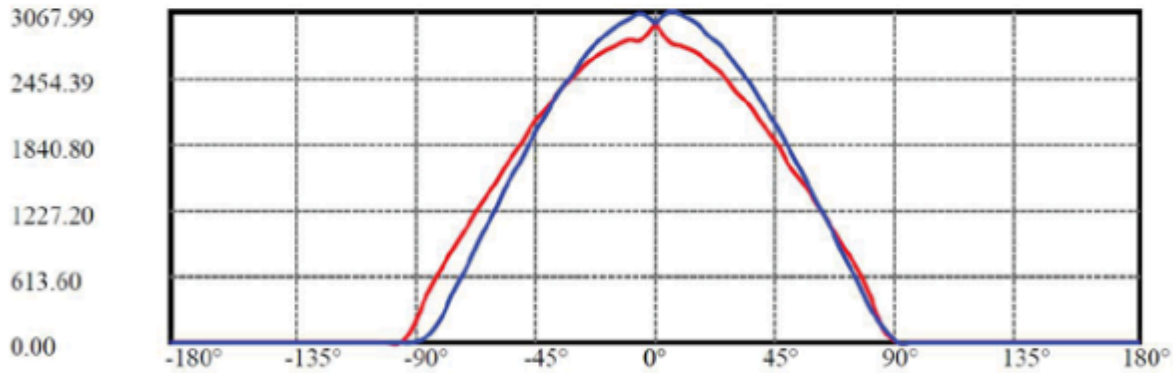
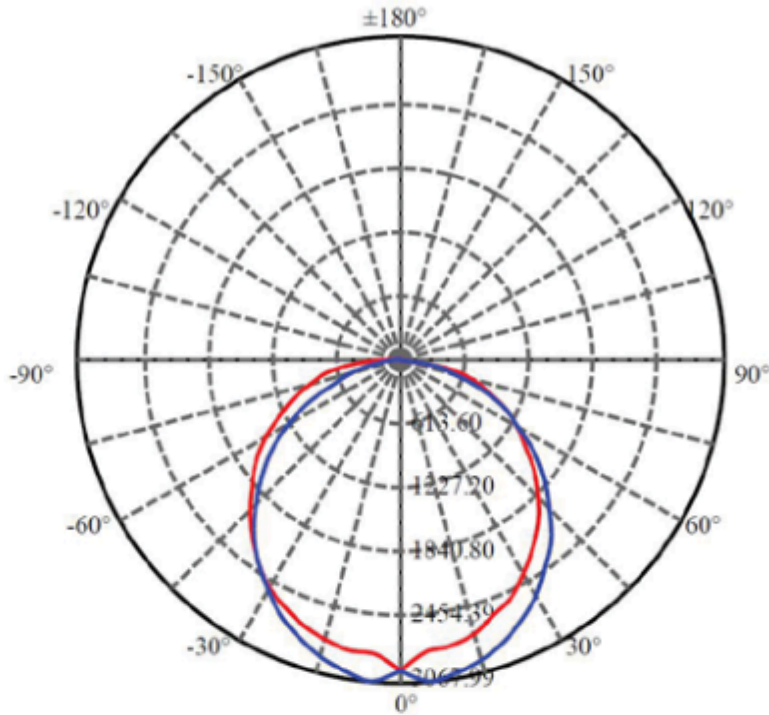
Product Appearance




LED CENTER BASKET TOFFER

Distribution Diagram

Light Distribution Curve [Unit:cd]



C0/C180: 

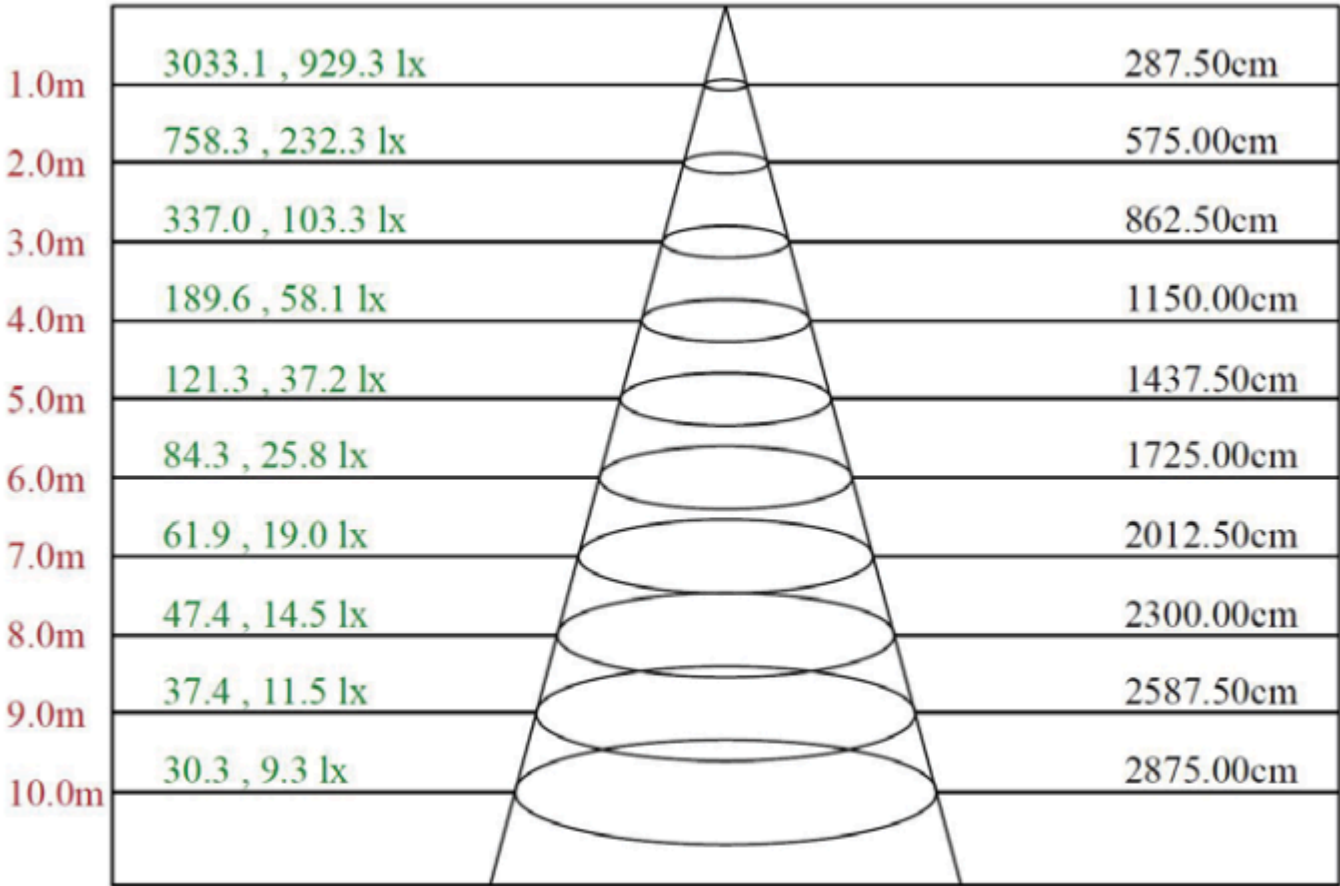
C90/C270: 

Field angle(10%I_{max}):C0/180Left:87.3 Right:82.2
:C90/270Left:78.5 Right:80.6

Beam Angle(50%I_{max}):C0/180Left:59.6 Right:54.6
:C90/270Left:53.7 Right:55.4

LED CENTER BASKET TOFFER

Lux Distance Curve



Max , Ave Beam angle of C112.5 plane 110.35

LED CENTER BASKET TOFFER

Installation

NOTE

Please read this entire manual to fully understand and safely use this product. Specifications are subject to change without notice.

Please visit our website the most recent user guide versions.

UNPACKING

1. Unpack and carefully examine the product.
2. Report any damage and save all packing materials if any part(s) were damaged during shipping.
3. Do not attempt to use this apparatus if it is damaged.

IMPORTANT SAFETY INFORMATION

CAUTION: Risk of Electric Shock

Suitable for Damp location. Access above ceiling required. Do not install insulation within 51 mm (2 in) of any part of the luminaire. Suitable for suspended ceilings.

READ ALL INSTRUCTIONS BEFORE INSTALLATION

1. Consult a qualified electrician to ensure correct branch circuit conductor.
2. The product should be installed and operated by a qualified electrician or technician in accordance with relevant local codes.
3. Risk of electric shock. Ensure that main power source is off when wiring or soldering the sections of the product.
4. Before installing this fixture or doing any maintenance, make sure to turn off the power supply at the circuit breaker or fuse box.
5. Check to make sure that all fixture connections have been properly made and the fixture is grounded to avoid potential electrical shocks.
6. Do not handle energized fixture when hands are wet, when standing on wet or damp surfaces, or in water.
7. This panel lights are normally set to work at extra low voltage below DC42V and constant current conditions to ensure safety to human body.
8. Designed for use in 100V-277V, 50-60Hz protected circuit. Apply class 2 power supply.

INCLUDED IN THIS BOX

1. LED Luminaire
- 2.

Installation instruction

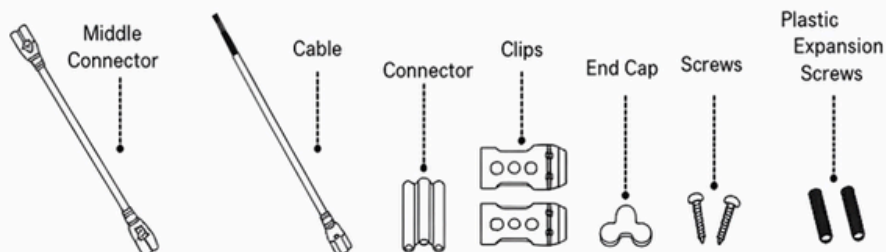
LED CENTER BASKET TOFFER

Installation

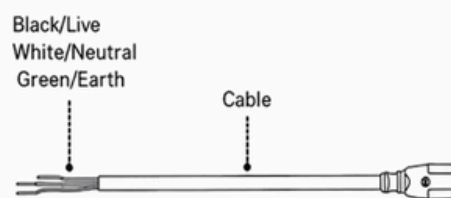
Installation Guide for Surface Mounted LED Tube Integrated T8

This is LED surface mounted light. Please take the time to read this quick installation guide. The guide contains important information and notes regarding installation and operation.

1. Accessories bag includes:

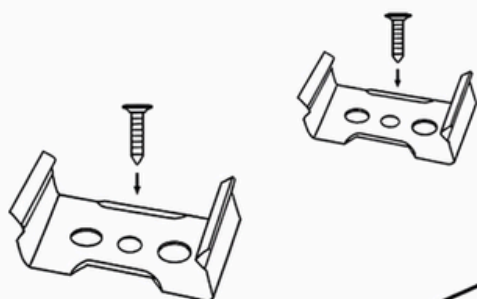


2. Cable connection instruction

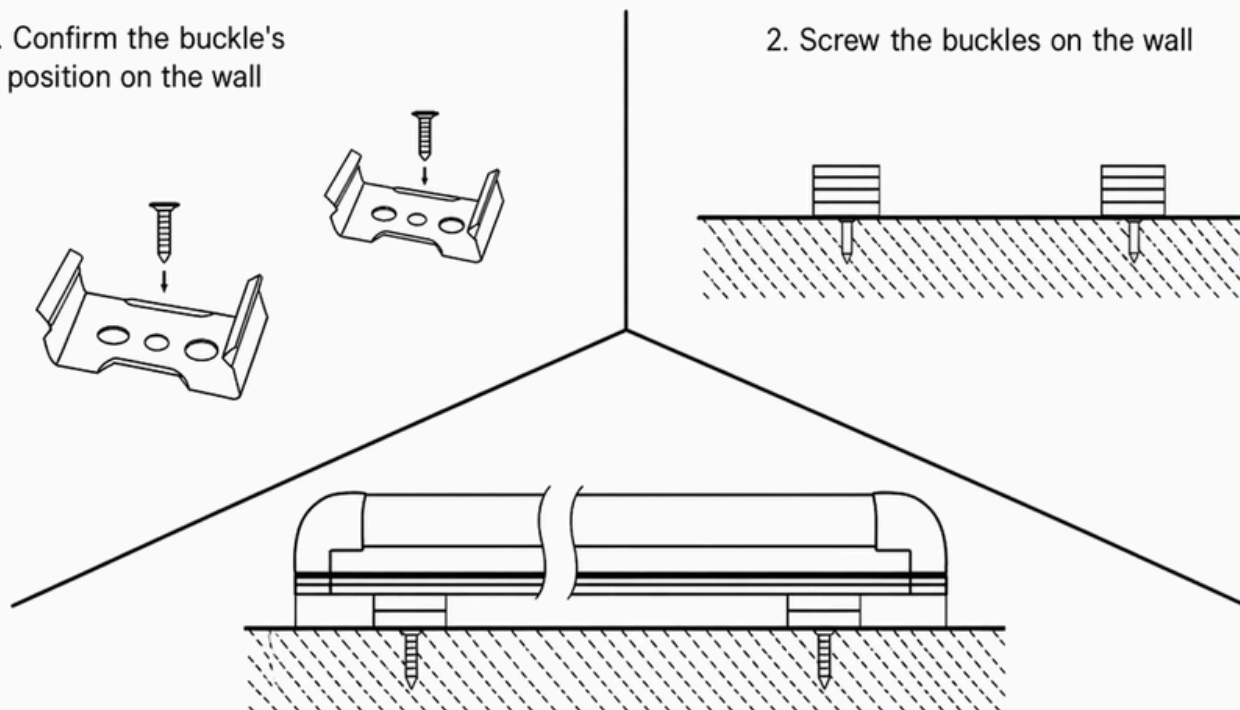


3. Installation Instructions

1. Confirm the buckle's position on the wall



2. Screw the buckles on the wall



LED CENTER BASKET TOFFER

Packaging

Size	Box Dimension	Qty	Net Weight	Gross Weight
2 x 2	25.80" x 4.93" x 26"	2 Pcs/Box	9.2LBS	10.7LBS
2 x 4	49.84" x 4.93" x 26"	2 Pcs/Box	19.3LBS	24.7LBS

Application



LED CENTER BASKET TOFFER

Packaging

