

ARCHITECTURAL TROFFRE LIGHT



Lumens Depot Foam's Architectural Recessed Troffer combines a sleek, modern design with high-performance lighting, making it an ideal solution for commercial, hospitality, and office environments. Featuring a fully luminous door-frame design, it delivers excellent visual comfort while utilizing advanced solid-state lighting and driver technology for enhanced energy efficiency.

Available in both 2x2' and 2x4' sizes, this contemporary fixture offers adjustable wattage and selectable CCT, allowing customization to suit various applications. Delivering up to 125 lumens per watt, it ensures optimal energy savings without compromising light quality.

Designed for versatility, it includes 0–10V dimming capability and a wide 110° beam angle for precise control and broad, even illumination. The fully luminous center panel adds a refined, modern aesthetic, while optional hanging and surface mount kits provide flexible installation options. Ideal for offices, meeting rooms, and commercial lobbies, it delivers both style and functionality.

Product Features

- Upto125 lm/W
- Available in 2x2' & 2x4'
- Adjustable wattage
- Adjustable CCT
- 0-10V dimmable
- 110° Beam angle
- Fully luminous center panel
- Optional hanging & surface mount kit
- Input Voltage 120-277VAC
- UL listed
- 5-year warranty

ARCHITECTURAL TROFFRE LIGHT

ADJ. WATT	MAX LUMENS	ADJ. CCT	INPUT VOLTAGE	CRI	SIZE	LIGHT SPREAD	CONSTRUCTION	DIMMING	CERTIFICATIONS
20W/25W/30W	3750	3500K/4K/5K	120-277V	>80	2x2	110°	Steel+ Aluminum+PC	0-10V	UL
35W/40W/46W	5750	3500K/4K/5K	120-277V	>80	2x4	110°	Steel+ Aluminum+PC	0-10V	UL

Specifications

Parameter	Description	Value
General Performance	Model #	BLT-10B-22/30/25/20/YDM/CCT(A3+B7)
	Adjustable Wattage	20W / 25W / 30W
	Max Lumen	3750
	Lumen Efficacy	Up to 125LM/W
	Color Temperature	3500K/4000K/5000K
	CRI (Ra)	>80
	Light Spread	110o
	Diffuser Type	Frosted Polystyrene
	Flickering	30%
Electrical	Input Voltage	120-277Vac
	Frequency	50/60Hz
	Dimming	0-10V
	Power Factor	>0.9
	Operating Temperature	-20oC - 50oC
	Operating Humidity	Damp Location
Physical	Storage Temperature	-20oC - 50oC
	Storage Humidity	Damp Location
	LED Brand	Bridgelux
	LED Type	SMT
	Construction	Steel sheet and extruded aluminum
	Housing Color	White
	Qualification	IP Rating
Warranty		5 Years

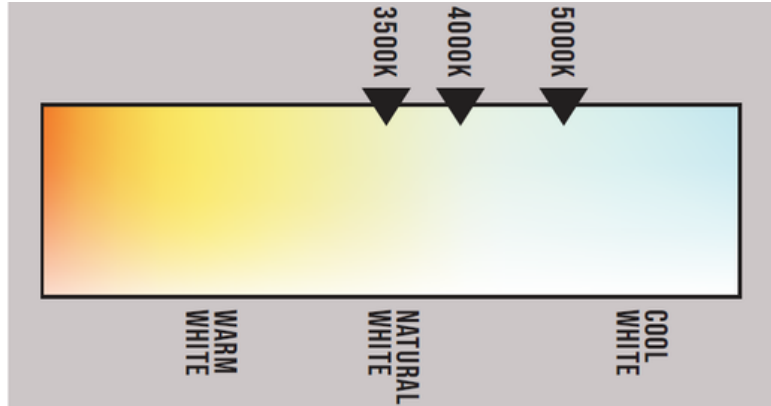
ARCHITECTURAL TROFFRE LIGHT

Specifications

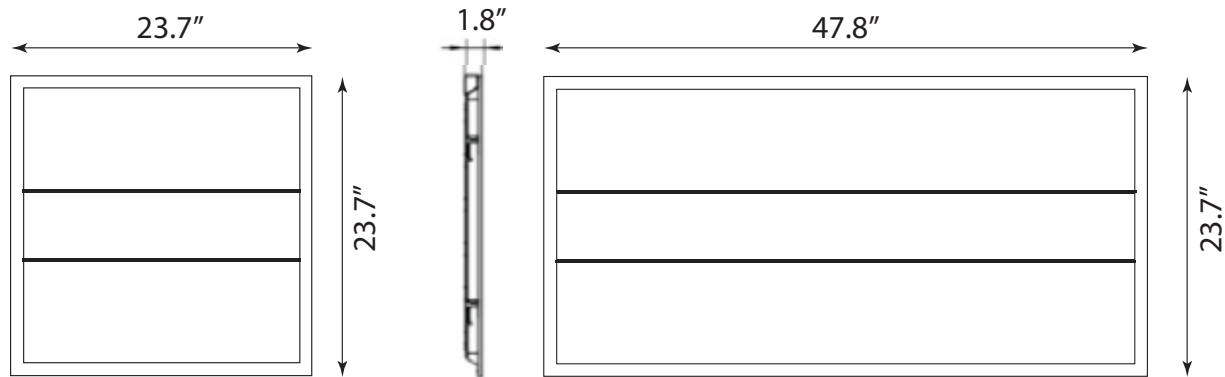
Parameter	Description	Value
General Performance	Model #	BLT-10B-24/46/40/35/YDM/CCT(A3+B7)
	Adjustable Wattage	35W / 40W / 46W
	Max Lumen	5750
	Lumen Efficacy	Up to 125LM/W
	Color Temperature	3500K/4000K/5000K
	CRI (Ra)	>80
	Light Spread	110o
	Diffuser Type	Frosted Polystyrene
	Flickering	30%
Electrical	Input Voltage	120-277Vac
	Frequency	50/60Hz
	Dimming	0-10V
	Power Factor	>0.9
	Operating Temperature	-20oC - 50oC
Physical	Operating Humidity	Damp Location
	Storage Temperature	-20oC - 50oC
	Storage Humidity	Damp Location
	LED Brand	Bridgelux
	LED Type	SMT
	Construction	Steel sheet and extruded aluminum
	Housing Color	White
Qualification	IP Rating	IP20
	Warranty	5 Years

ARCHITECTURAL TROFFRE LIGHT

Correlated Color Temperature (CCT)



Dimensions

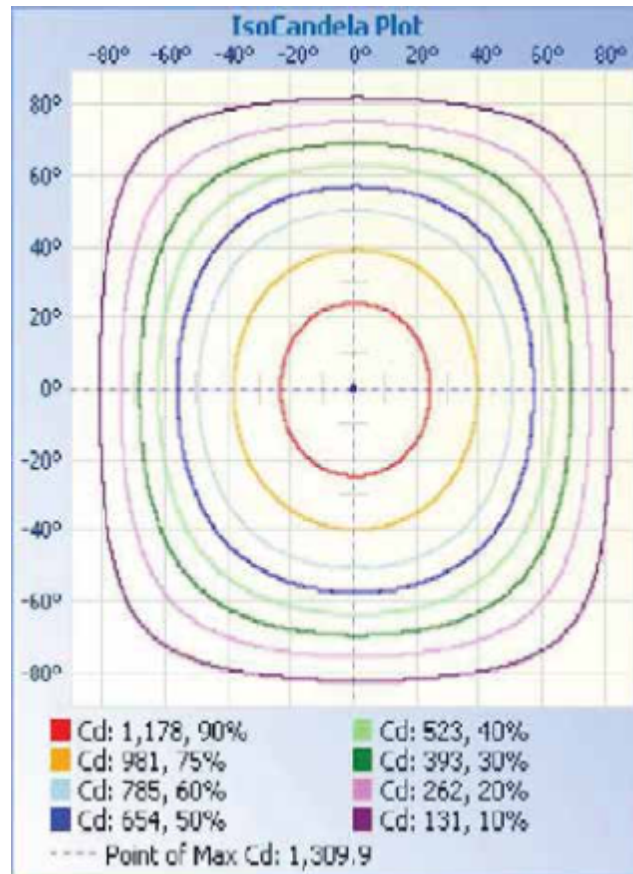
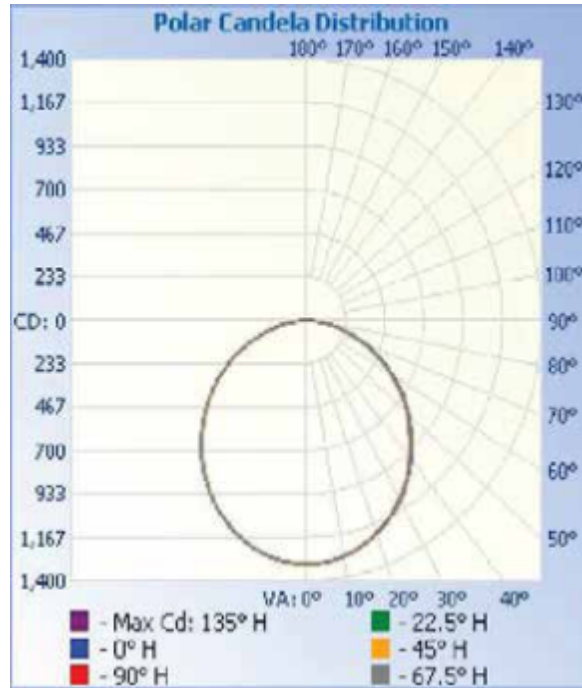


Back-Lit Panel



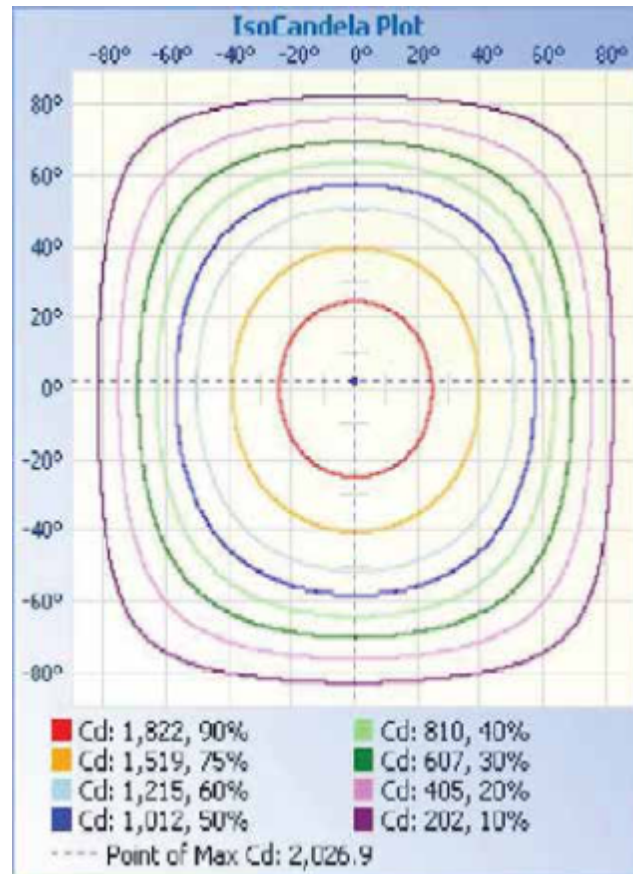
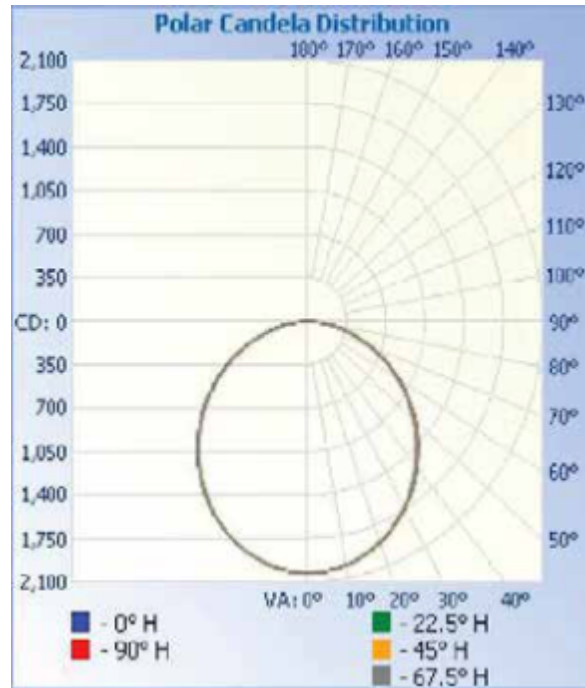
ARCHITECTURAL TROFFRE LIGHT

Polar Candela Distribution Iso



ARCHITECTURAL TROFFRE LIGHT

Polar Candela Distribution Iso



ARCHITECTURAL TROFFRE LIGHT

Installation

⚠ WARNING

- To reduce the risk of death, personal injury or property damage from fire, electric shock, falling parts, cuts/abrasions and other hazards read all warnings and instructions included with and on the fixture box and all fixture labels.
- Before installing, servicing, or performing routine maintenance upon this equipment, follow these general precautions.
- Commercial installation, service and maintenance of luminaires should be performed by a qualified licensed electrician.
- For the installation: If you are unsure about the installation or maintenance of the luminaires, consult a qualified licensed electrician and check your local electrical code.
- To prevent wiring damage or abrasion, do not expose wiring to edges of sheet metal or other sharp objects.
- Do not make or alter any open holes in an enclosure of wiring or electrical components during kit installation.

⚠ WARNING

- Turn off electrical power at fuse or circuit breaker box before wiring fixture to the power supply.
- Turn off the power when you perform any maintenance.
- Verify that supply voltage is correct by comparing it with the luminaire label information.
- All wiring connections should be capped with UL approved wire connectors.

⚠ CAUTION

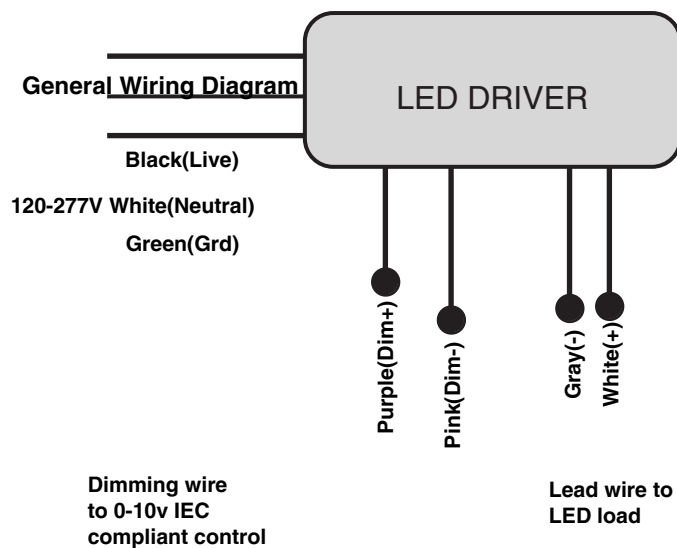
- Avoid direct eye exposure to the light source while it is on.
- Account for small parts and destroy packing material, as these may be hazardous to children.
- Risk of burn. Disconnect power and allow fixture to cool before changing bulb or handling fixture.

NOTICE: Green ground screw provided in proper location. Do not relocate.

NOTICE: Minimum 90° supply conductors.

NOTICE: Specifications and dimensions subject to change without notice.

NOTICE: Suitable for Dry or Damp location, Type IC



ARCHITECTURAL TROFFRE LIGHT

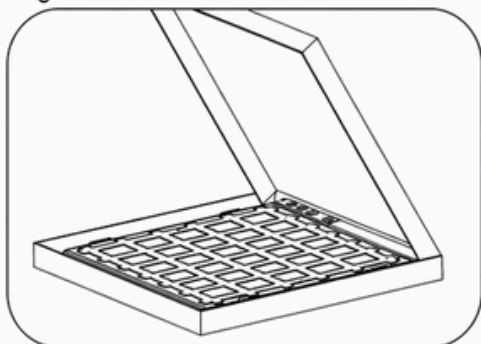
Installation

INSTRUCTIONS:

Always turn off the power supply from main circuit breaker first!

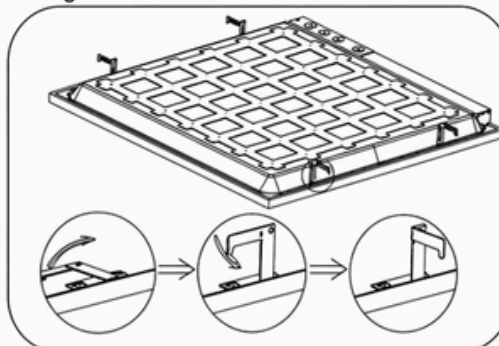
• Recessed Mounting

Figure 1



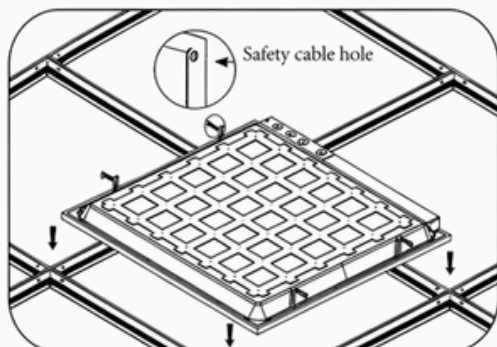
Carefully unpack unit and properly inspect for defects before installing. Wear work gloves to prevent dirt and oil from being transferred to the luminaire. If cleaning is needed, use gloves and a dry cottoncloth. It is not recommended to use hazardous chemicals.

Figure 2



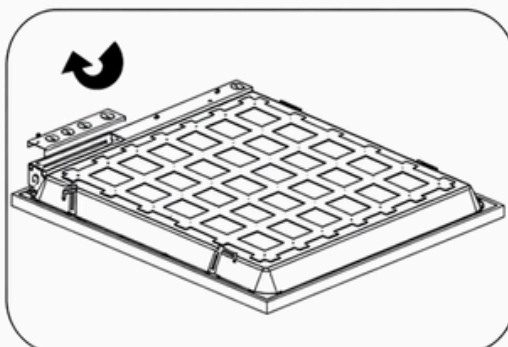
Lift up four mounting clips on the sides of the luminaire. You can do it by hand (Do wear work gloves) or use pliers

Figure 3



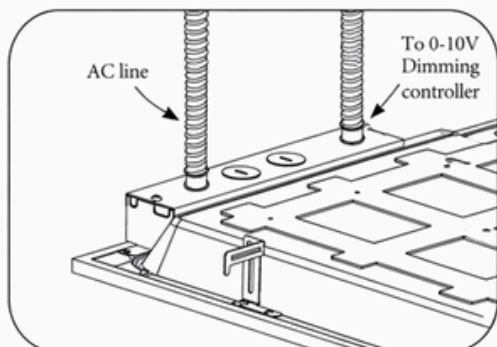
Insert luminaire into T-bar ceiling grid. Secure safety cable to connection hole as needed to meet local seismic requirements. Safety cable and method of attachment to the building provided by contractor according to local building codes.

Figure 4



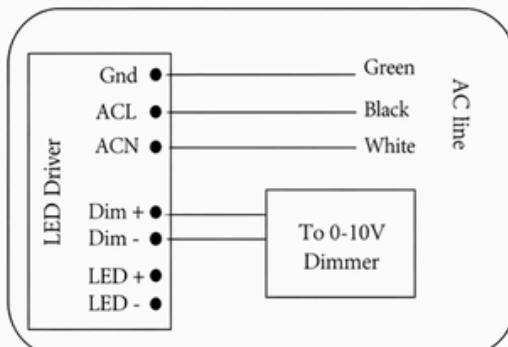
Remove electrical enclosure cover. Carefully remove knockout for AC line input wires and 0-10V control line. Install listed electrical fittings in the knockout holes for wire protection if needed.

Figure 5



Plug in AC line (L and N, and GND) to the LED Driver using 18-14AWG Wire. When connecting 0-10V dimming controller, wires must run through a separate knockout hole equipped with an appropriate electrical fitting.

Figure 6



Follow wire connection instructions. When using the 0-10V dimming controller Run wires from controller through a different knockout than the AC input wires. Don't forget to return the electrical enclosure cover and tighten the screws.

ARCHITECTURAL TROFFRE LIGHT

Installation

Cable Suspended Mounting

Figure 1

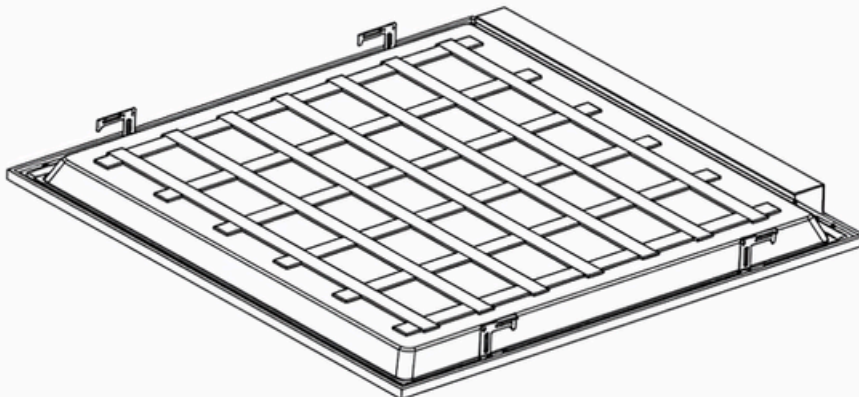
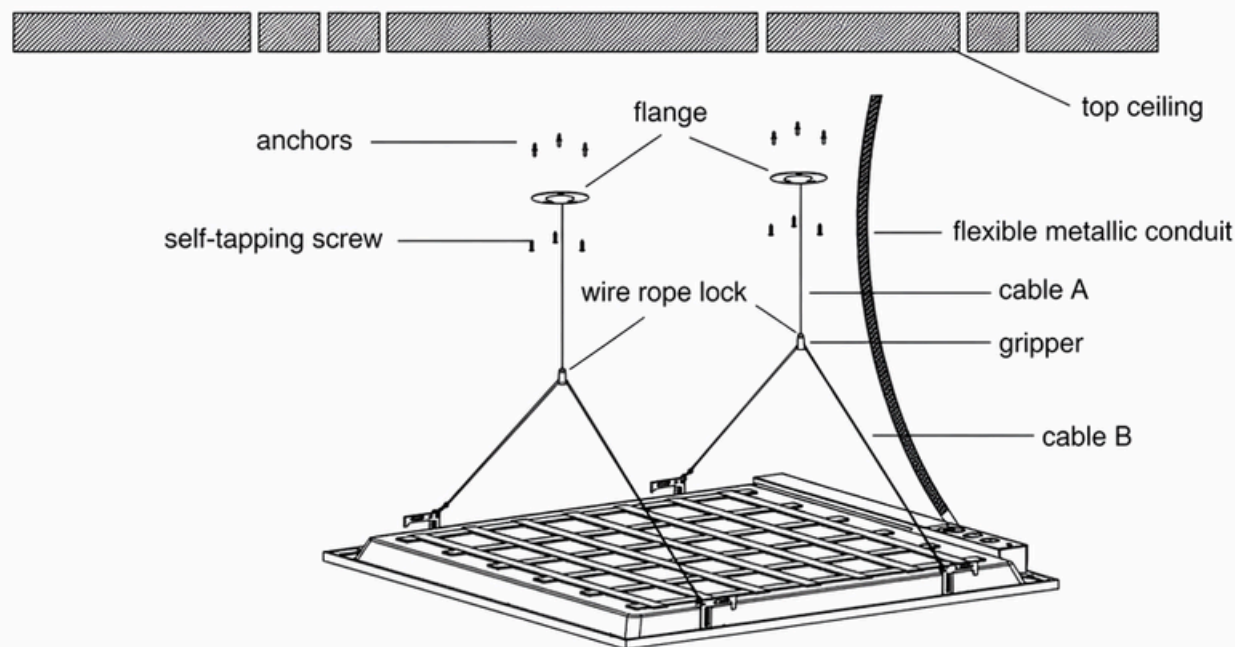


Figure 2



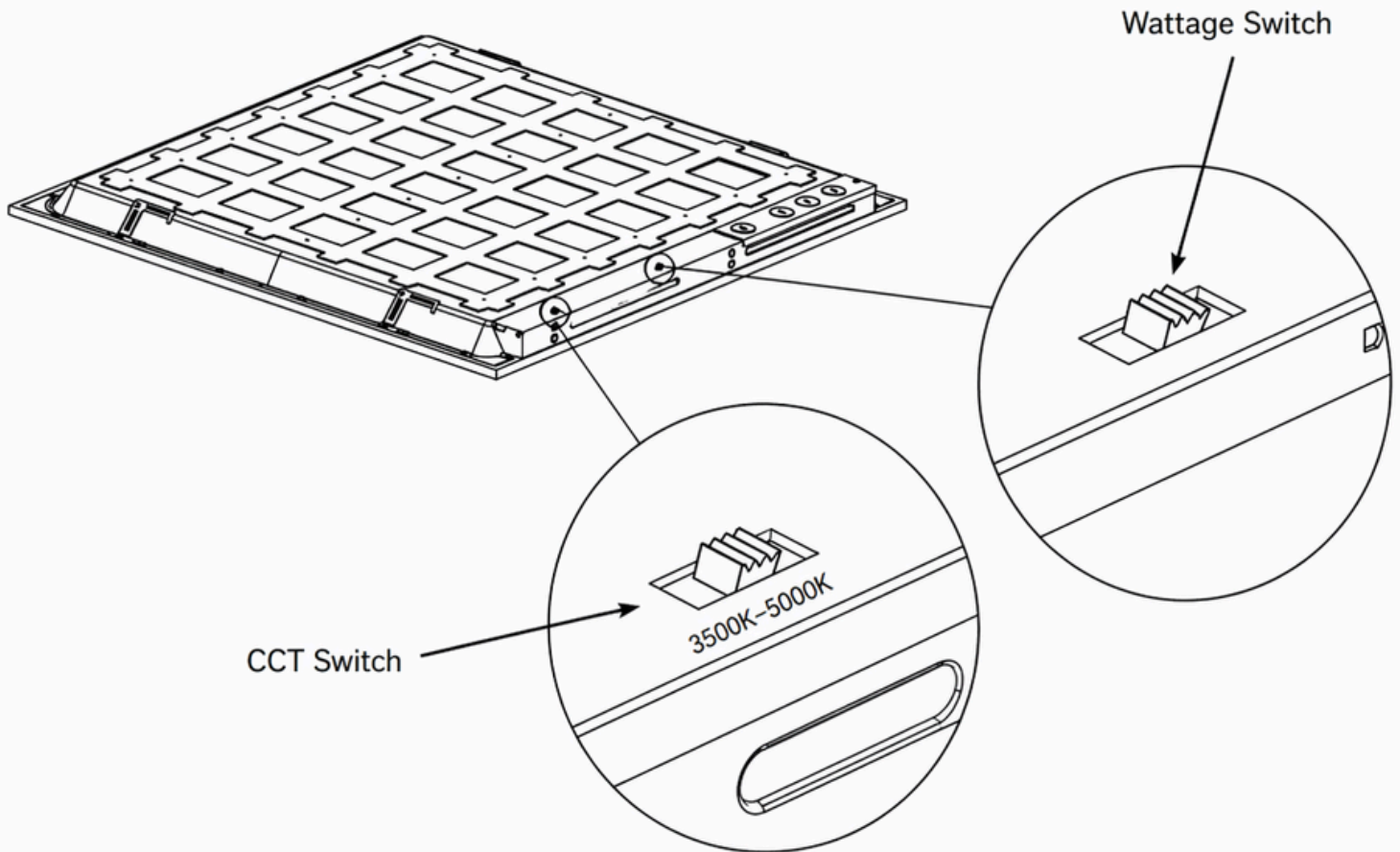
Installation Steps:

- Step 1: Pull the sleeve on the end of cable A through the provided flange and make sure the end cap positioned in the flange. Fix the flanges onto the ceiling with the self-tapping screws.
- Step 2: Insert the end of cable A into the wire rope gripper attached on the cable B, then adjust the cable A to be desired height by pressing the wire rope lock and adjust the cable B to the desired angle.
- Step 3: Hook the luminaire up to the swivel lobster clasp attached to the two ends of cable B and make a final adjustments.
- Step 4: Connect LED driver to AC mains power.

ARCHITECTURAL TROFFRE LIGHT

Installation

Field-Adjustable Wattage & CCT



The end users may adjust the color temperature and lumen output respectively by the two DIP switch buttons integrated into the driver. Each DIP switch is accommodated with 3 options (left, middle and right), corresponding to 3 color temperatures and 3 powers respectively, which can perform the desired color temperature and lumen output combination.

1. DIP switches are located onto the drive box.
2. Select a wattage and color temperature by sliding switch left or right respectively to the desired value.

ARCHITECTURAL TROFFRE LIGHT

Packaging

Box Dimension	Size	Qty.	Net Weight	Gross Weight
25.47" x 7.28" x 25.78"	2 x2FT	4 Pcs/Box	20.28LBS	22.49LBS
49.48" x 7.28" x 25.78"	2 x4FT	4 Pcs/Box	36.16LBS	39.02LBS

Application Image



ARCHITECTURAL TROFFRE LIGHT

Application Image

