

# LED DRIVERS



## Product Features

## Model #

- Constant voltage design
- Plastic housing, LPV standard
- High transfer efficiency
- Super-thin: 16.3mm height
- Working temperature: -25°C~+50°C
- IP65, for both indoor & outdoor
- 100% full loading, 100% burn-in tested
- Overload/short circuit protection
- Typical efficiency: >87%

WATT	WORKING TEMP	ENVIRONMENT	MAX. OUTPUT CURRENT	INPUT VOLTAGE	OUTPUT VOLTAGE	EFFICIENCY	IP RATING	CERTIFICATIONS
60W	-25°C~50°C	Indoor & Outdoor	5A	100-130V	12V DC	87%	IP65	UL
60W	-25°C~50°C	Indoor & Outdoor	2.5A	100-130V	24V DC	87%	IP65	UL

# LED DRIVERS

## Specifications

Parameter	Description	Value	
Output	Model #.	JLV-12060PA-U3	JLV-24060PA-U3
	DC Voltage	12V	24V
	Rated Current	5A	2.5A
	Current range	0-5A	0-2.5A
	Wattage	60W	60W
	Ripple & Noise (Max.)	<200mVp-p	<200mVp-p
	Voltage Tolerance Note3	1%	1%
	Line Regulation	1%	1%
	Load Regulation	1%	1%
	Output groups	1	1
	Setup, Rise Time	1500ms/230VAC	1500ms/230VAC
Input	Holding Time (Typ.)	16mS	
	Voltage Range Note 2	90-140V	
	Input Voltage	100-130V	
	Frequency Range	50/60Hz	
	Power Factor (Typ.)	>0.9	
	Efficiency (Typ.)	>87%	
	AC Input Current	1.2 max.	
	Inrush Current (Typ.)	40A	
Protection	Leakage current	3mA/230VAC	
	Over Load	Yes, output cut-off while overload 10-20%	
	Short Circuit	Yes, hiccup mode, recovers automatically after fault condition is removed	
Environment	Over voltage	Yes	
	Over Temperature	No	
	Working Temperature	-25°C~50°C	
	Working Humidity	20~99%RH	
	Storage Temperature	-40°C~75°C	
	Storage Humidity	10~99%RH	
	Temperature Coefficient	/	
	Vibration	/	

# LED DRIVERS

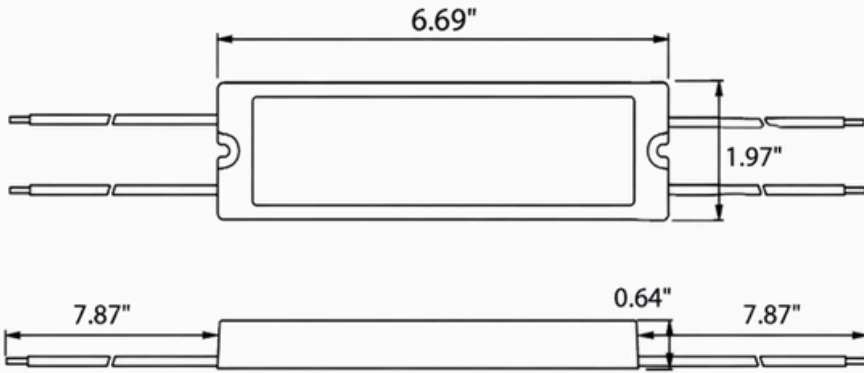
Safe & EMC	Safety Standards	Compliance to UL 1310, UL 8750, Class 2, IP65 Waterproof Rating
	Withstand voltage	I/P-O/P: 3KV AC; O/P-GND: 0.5KV AC
	Isolation Resistance	I/P-O/P: >100M Ohms / 500VDC/25°C / 70%RH
	EMC Emission	/
	EMC Immunity	/
Others	MTBF	/
	Product Dimension	6.69" x 1.97" x 0.64"
	Product Packaging	17" x 13" x 7.5"

## Installation Tips:

- Please identify the power supply's input and output before installation.
- Ensure correct output + & - wire connection.  
Power on after wire connection is done.
- To avoid voltage drop and loading capacity wasting on the output extension wire, please install the power supply to the loading as near as possible, if must use long extension wires, thicker wires and less loading wattage is required.
- The power supply to be installed at good ventilation and cooling environment.

# LED DRIVERS

## Mechanical Specification



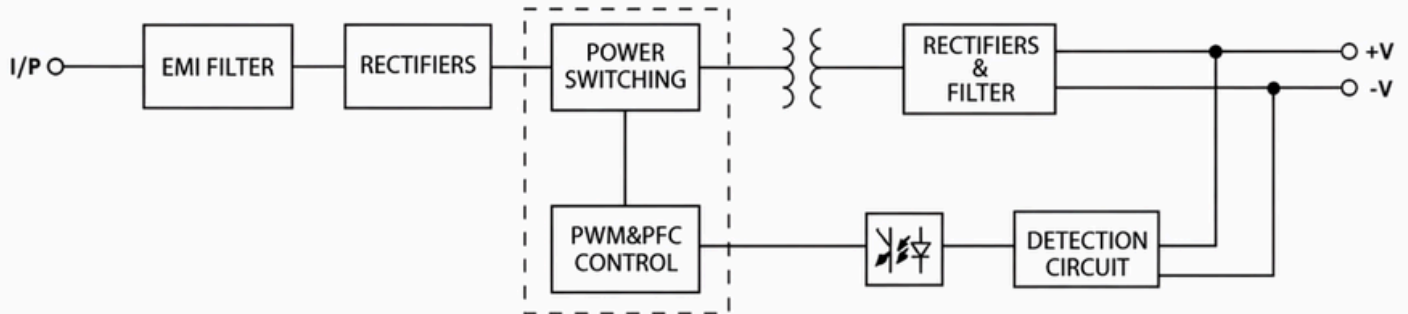
Product Dimension: 6.69" x 1.97" x 0.64"  
Product Net Weight: 0.4LBS

Input: 2 x18 AWG, Wire L, White N  
200mm length

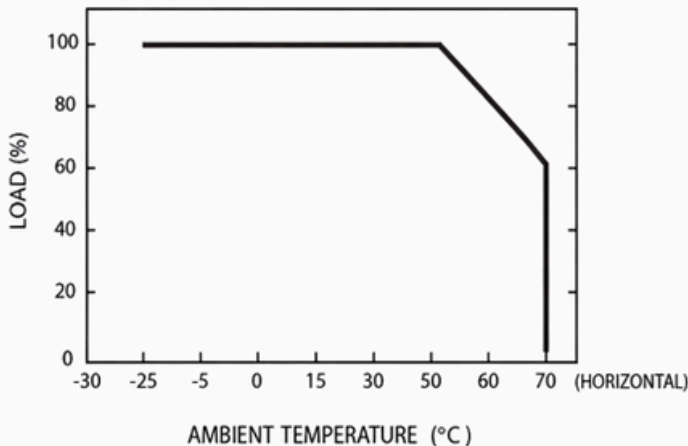
Output: 2x18 AWG Wire, Red +, Black -  
200mm length

Housing: Plastic (ABS)

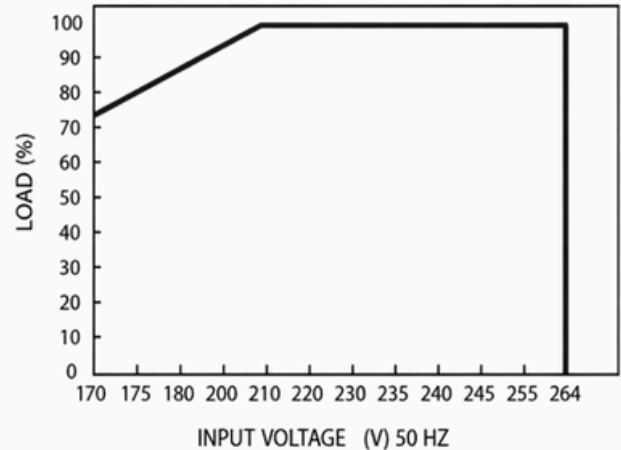
## Block Diagram



## Derating Curve



## Static Characteristics



# LED DRIVERS

## Packaging

Box Dimension	Qty	Net Weight	Gross Weight
17" x 13" x 7.5"	50 Pcs/Box	0.4LBS	24.25LBS
17" x 13" x 7.5"	50 Pcs/Box	0.4LBS	24.25LBS