

LED NEON ROPE LIGHT



Lumens Depot Foam's Flexible LED Neon Rope Lights are a high-quality, modern alternative to traditional neon glass tubes. Designed for durability and performance, these flexible LED strips create a continuous line of vibrant single-color or white neon-style light while consuming minimal power.

Built to last, they feature a shatterproof and watertight design, making them suitable for both outdoor and damp environments. The sleek jacketed housing enhances visual appeal, making them ideal for architectural and commercial lighting applications.

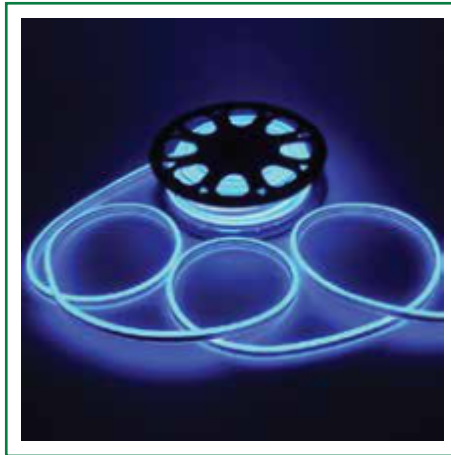
For easy installation, they include a straight power cord and pigtail connector, allowing for a simple plug-and-play setup. Perfect for enhancing building exteriors and creating eye-catching lighting effects, these neon rope lights combine efficiency, flexibility, and style.

Product Features

- High Brightness Epistar LED Chips
- Each single color 50ft Roll includes (2) power cords, End Caps.
- RGB rope includes (1) power cord, two pin joining Connectors, controller and a remote.
- Daisy Chain upto 150ft per one AC Power supply
- Durable PVC housing allows indoor & outdoor installation
- Cuttable every 20 inches
- IP67 Rated
- ETL Listed
- 2 Year warranty

LED NEON ROPE LIGHT

WATT	INPUT VOLTAGE	LIGHT SPREAD	LENGTH	COLOR	LED BRAND	IP RATING	CERTIFICATIONS
3.28 W/FT	120V	120°	50ft/Roll	White	Epistar	IP67	ETL
3.28 W/FT	120V	120°	50ft/Roll	Yellow	Epistar	IP67	ETL
3.28 W/FT	120V	120°	50ft/Roll	Red	Epistar	IP67	ETL
3.28 W/FT	120V	120°	50ft/Roll	Blue	Epistar	IP67	ETL
3.28 W/FT	120V	120°	50ft/Roll	RGB	Epistar	IP67	ETL



AC Power Cord



Two Pin
Joining Connector



Mounting Clip



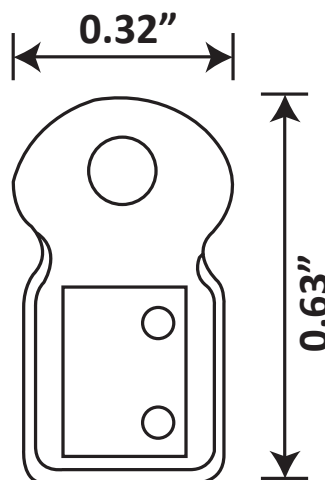
End Cap

LED NEON ROPE LIGHT

Specifications (White / Yellow / Red / Blue)

Parameter	Description	Value
General Performance	Wattage	3.28 W/FT
	Color Available	White / Yellow / Red / Blue
	LM / LED	26-28Lm each LED
	Input Voltage	120V
	Frequency	50/60Hz
	Power Factor	>0.93
	Light Spread	120o
	Operating Temperature	-15oC to +40oC
	Power Per Meter	8-10W Per meter
	LED Brand	Epistar
	LED Type	SMD2835
	LED Power	0.2W Each
	PVC Material	Anti-UV PVC 4 to 5 Grade
	PVC Color	Milky PVC
	PCB	White color 8MM PVC
	LED Qty.	120 Pcs LED per meter
	IP Rating	IP67
Warranty	2 Years warranty	

Dimension

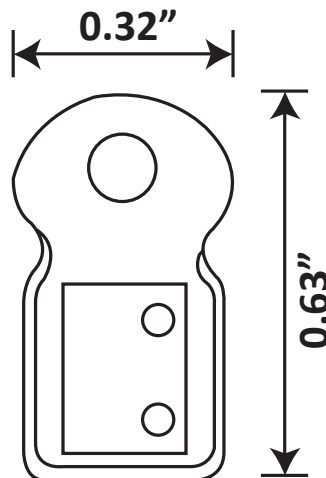


LED NEON ROPE LIGHT

Specifications (RGB)

Parameter	Description	Value
General Performance	Wattage	3.28 W/FT
	Color Available	RGB
	LM / LED	18-20Lm each LED
	Input Voltage	120V
	Frequency	50/60Hz
	Power Factor	>0.93
	Light Spread	120o
	Operating Temperature	-15oC to +40oC
	Power Per Meter	7-9W Per meter
	LED Brand	Epistar
	LED Type	SMD5050 3 Chips
	LED Power	0.2W Each
	PVC Material	Anti-UV PVC 4 to 5 Grade
	PVC Color	Milky PVC
	PCB	White color 8MM PVC
	LED Qty.	72 Pcs LED per meter
	IP Rating	IP67
Warranty	2 Years warranty	

Dimension



LED NEON ROPE LIGHT

Packaging

Role Size	Box Dimension	Gross Weight
50 Ft/Roll	13.38" x 13.38" x 13.77"	33.06LBS

Application Images



LED NEON ROPE LIGHT

Application Images



LED NEON ROPE LIGHT

Application Images

