

ALH SELECTABLE AREA LIGHT

LED Area Light with Selectable CCT and Lumen

Introduction

- ◆ As the latest generation of Area Light, the Hand 10 boasts extremely high cost-effectiveness and offers complete configurations. The Hand 10 delivers 11000lm to 48000lm lumens, which can replace 250W to 1000W HID luminaires.
- ◆ The whole family includes three different sizes. Slipfitter mount, square or round pole mount arm and Yoke mount are available.
- ◆ Photocell, motion sensor and external light control shield are also available. It also supports LLLC of HAISEN BLUE and Silvair.

Product Specifications

Construction

- ◆ The Hand 10 area light features a rugged die-cast aluminum body that uses heatsink and flow-through venting to provide optimal thermal management that both enhances LED performance and extends component life. The light housing is sealed against moisture and environmental contaminants. The 3G vibration rated compact design minimizes wind load requirements. With a low EPA, it allows pole optimization.

Electrical:

- ◆ Universal voltage AC120-277V/AC120-347V with standard 10kV Surge protector, or High voltage AC277-480V with standard 20kV Surge protector.
- ◆ Equipped with a 0-10V dimmable driver. The fixtures do not have dimming wires led out by default; an additional cost will be required for modification to include them.
- ◆ Power Factor : ≥ 0.95
- ◆ THD $\leq 20\%$
- ◆ 2ft(24") long power cord provided for easier installation.

Optics :

- ◆ Light engines are available in (30/40/50)K selectable (CRI70) configurations
- ◆ Type III,IV,V distributions optional



Finish :

- ◆ Dark bronze is standard and black, white, grey and other customized colors are available.

Ambient Temperature:

- ◆ -40° F (-40° C) to 113° F (45° C)

Listing :

- ◆ UL Certified to meet U.S. and Canadian standards. Suitable for wet locations. Rated for -40°C minimum ambient. DesignLights Consortium® (DLC) Premium qualified product and DLC qualified product.

Ordering Guide

EXAMPLE: XALH(240/260/280/310)WHV(30/40/50)KT3SFDP5

Brand X	Product name ALH	Wattage ¹ XXXW	Input Voltage ² AA	CCT ³ XXK	Dist.Type Y	Mount Y	Finish Y	Photocontrol Y	Sensor Y
XSY	ALH	(80/100/120/150)W (170/200/220/240)W (240/260/280/310)W	Blank=120-277V HL=120-347V HV=277-480V	30K=3000K 40K=4000K 50K=5000K (30/40/50)K= 3000/4000/5000K	T3=Type III T4=Type IV T5=Type V	SF=Slipfitter Mount PA=Square and Round Pole Mount Arm TR=Trunnion Mount AA=Adjustable Square and Round Pole Mount Arm UB=Universal bracket WM=Wall Mount	D=Dark Bronze B=Black W=White SG=Silver Grey	Blank=without Photocell P=with Photocell	S=with Motion Sensor Blank=without Motion Sensor

Note: 1.(80/100/120/150)W=150W, 120W, 100W, 80W Selectable, 150W default setting. (170/200/220/240)W=240W, 220W, 200W, 170W Selectable, 240W default setting. (240/260/280/310)W=310W, 280W, 260W, 240W Selectable, 310W default setting.

2.The Input Voltage AC120-277V and AC277-480V is for US Market, AC120-347V is for Canada Market only.

3.(30/40/50)K=3000K, 4000K, 5000K Selectable, 5000K default setting.

Specifications

Wavelength & CCT Selectable

Lumen values are based on 120V AC input product configuration, contact for performance data on any configurations not shown here.

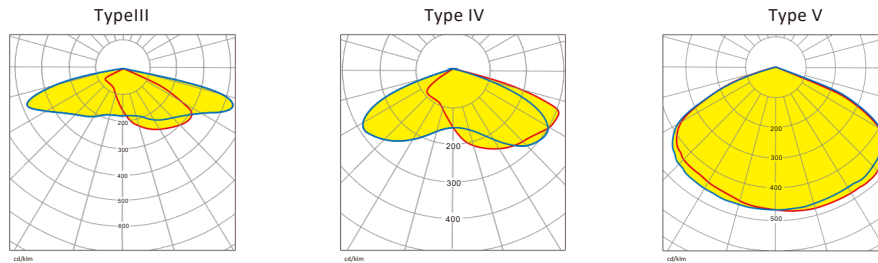
Size	Watts	Distribution Type	5000K, CRI70				4000K, CRI70				3000K, CRI70						
			Lumens	B	U	LPW	Lumens	B	U	LPW	Lumens	B	U	LPW			
Size 1 (80/100/120/150)W Selectable	80W	T3	12,800	3	0	3	160	14,450	3	0	3	181	12,300	3	0	3	154
	100W		15,850	3	0	3	159	17,850	3	0	3	179	15,250	3	0	3	153
	120W		18,600	3	0	3	155	20,950	3	0	3	175	17,850	3	0	3	149
	150W		22,650	3	0	3	151	25,500	3	0	3	170	21,800	3	0	3	145
	80W	T4	12,800	3	0	3	160	14,450	3	0	3	181	12,300	3	0	3	154
	100W		15,850	3	0	3	159	17,850	3	0	3	179	15,250	3	0	3	153
	120W		18,600	3	0	3	155	20,950	3	0	3	175	17,850	3	0	3	149
	150W		22,650	3	0	3	151	25,500	3	0	3	170	21,800	3	0	3	145
	80W	T5	12,800	4	0	2	160	14,450	4	0	2	181	12,300	4	0	2	154
	100W		15,850	4	0	2	159	17,850	4	0	2	179	15,250	4	0	2	153
	120W		18,600	4	0	2	155	20,950	4	0	2	175	17,850	4	0	2	149
	150W		22,650	4	0	2	151	25,500	4	0	2	170	21,800	4	0	2	145
Size 2 (170/200/220/240) W Selectable	170W	T3	26,900	4	0	4	159	28,550	4	0	4	168	26,150	4	0	4	154
	200W		31,050	4	0	4	156	32,950	4	0	4	165	30,200	4	0	4	151
	220W		33,500	4	0	4	153	35,550	4	0	4	162	32,550	4	0	4	148
	240W		35,850	4	0	4	150	38,000	4	0	4	159	34,800	4	0	4	145
	170W	T4	26,900	4	0	4	159	28,550	4	0	4	168	26,150	4	0	4	154
	200W		31,050	4	0	4	156	32,950	4	0	4	165	30,200	4	0	4	151
	220W		33,500	4	0	4	153	35,550	4	0	4	162	32,550	4	0	4	148
	240W		35,850	4	0	4	150	38,000	4	0	4	159	34,800	4	0	4	145
	170W	T5	26,900	5	0	2	159	28,550	5	0	2	168	26,150	5	0	2	154
	200W		31,050	5	0	2	156	32,950	5	0	2	165	30,200	5	0	2	151
	220W		33,500	5	0	2	153	35,550	5	0	2	162	32,550	5	0	2	148
	240W		35,850	5	0	2	150	38,000	5	0	2	159	34,800	5	0	2	145
Size 3 (240/260/280/310) W Selectable	240W	T3	37,950	4	0	4	159	42,750	4	0	4	179	36,900	4	0	4	154
	260W		39,950	4	0	4	154	45,000	4	0	4	173	38,850	4	0	4	150
	280W		42,600	4	0	4	153	48,000	4	0	4	172	41,450	4	0	4	148
	310W		46,250	4	0	4	150	52,100	4	0	4	168	45,000	4	0	4	145
	240W	T4	37,950	5	0	4	159	42,750	5	0	4	179	36,900	5	0	4	154
	260W		39,950	5	0	4	154	45,000	5	0	4	173	38,850	5	0	4	150
	280W		42,600	5	0	4	153	48,000	5	0	4	172	41,450	5	0	4	148
	310W		46,250	5	0	4	150	52,100	5	0	4	168	45,000	5	0	4	145
	240W	T5	37,950	5	0	3	159	42,750	5	0	3	179	36,900	5	0	3	154
	260W		39,950	5	0	3	154	45,000	5	0	3	173	38,850	5	0	3	150
	280W		42,600	5	0	3	153	48,000	5	0	3	172	41,450	5	0	3	148
	310W		46,250	5	0	3	150	52,100	5	0	3	168	45,000	5	0	3	145

Wa age Selectable & Single CCT

Lumen values are based on 120V AC input product configura on, contact for performance data on any configura ons not shown here.

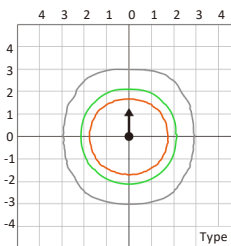
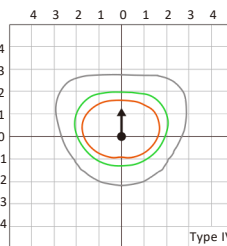
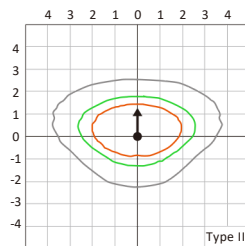
Size	Watts	Distribution Type	5000K, CRI70				4000K, CRI70				3000K, CRI70						
			Lumens	B	U	G	LPW	Lumens	B	U	G	LPW	Lumens	B	U	G	LPW
Size 1 (80/100/120/150) W Selectable	80W	T3	12,750	3	0	3	159	12,600	3	0	3	157	12,300	3	0	3	154
	100W		15,800	3	0	3	158	15,550	3	0	3	156	15,250	3	0	3	153
	120W		18,500	3	0	3	154	18,250	3	0	3	152	17,850	3	0	3	149
	150W		22,500	3	0	3	150	22,200	3	0	3	148	21,750	3	0	3	145
	80W	T4	12,750	3	0	3	159	12,600	3	0	3	157	12,300	3	0	3	154
	100W		15,800	3	0	3	158	15,540	3	0	3	156	15,250	3	0	3	153
	120W		18,500	3	0	3	154	18,250	3	0	3	152	17,850	3	0	3	149
	150W		22,500	3	0	3	150	22,200	3	0	3	148	21,750	3	0	3	145
	80W	T5	12,750	4	0	2	159	12,600	4	0	1	157	12,300	4	0	2	154
	100W		15,800	4	0	2	158	15,540	4	0	1	156	15,250	4	0	2	153
	120W		18,500	4	0	2	154	18,250	4	0	1	152	17,850	4	0	2	149
	150W		22,500	4	0	2	150	22,200	4	0	1	148	21,750	4	0	2	145
Size 2 (170/200/220/240) W Selectable	170W	T3	27,050	4	0	4	159	26,700	4	0	4	157	26,150	4	0	4	154
	200W		31,200	4	0	4	156	30,800	4	0	4	154	30,200	4	0	4	151
	220W		33,700	4	0	4	153	33,250	4	0	4	151	32,550	4	0	4	148
	240W		36,000	4	0	4	150	35,520	4	0	4	148	34,800	4	0	4	145
	170W	T4	27,050	4	0	4	159	26,700	4	0	4	157	26,150	4	0	4	154
	200W		31,200	4	0	4	156	30,800	4	0	4	154	30,200	4	0	4	151
	220W		33,700	4	0	4	153	33,250	4	0	4	151	32,550	4	0	4	148
	240W		36,000	4	0	4	150	35,520	4	0	4	148	34,800	4	0	4	145
	170W	T5	27,050	5	0	2	159	26,700	5	0	2	157	26,150	5	0	2	154
	200W		31,200	5	0	2	156	30,800	5	0	2	154	30,200	5	0	2	151
	220W		33,700	5	0	2	153	33,250	5	0	2	151	32,550	5	0	2	148
	240W		36,000	5	0	2	150	35,520	5	0	2	148	34,800	5	0	2	145
240W	T3	38,200	4	0	4	159	37,700	4	0	4	157	36,900	4	0	4	154	
260W		T4	40,200	4	0	4	155	39,650	4	0	4	153	38,850	4	0	4	150
280W			42,850	4	0	4	153	42,300	4	0	4	151	41,450	4	0	4	148
310W			46,500	4	0	4	150	45,880	4	0	4	148	44,950	4	0	4	145
240W	T5		38,200	5	0	2	159	37,700	5	0	2	157	36,900	5	0	2	154
260W		40,200	5	0	2	155	39,650	5	0	2	153	38,850	5	0	2	150	
280W		42,850	5	0	2	153	42,300	5	0	2	151	41,450	5	0	2	148	
310W		46,500	5	0	2	150	45,880	5	0	2	148	44,950	5	0	2	145	

Photometric Diagrams



Isofootcandle plots for the 150W-5000K. Distances are in units of mounting height(30')

LEGEND
 0.1 fc
 0.5 fc
 1.0 fc



EPA (Square and round pole arm)

*Includes luminaire and integral mounting arm. Other tenons, arms, brackets or other accessories are not included in this EPA data

Mounting Type	Tilt	EPA (²)								
		Single	2@90	2@180	3@90	3@120	4@90	2 Side by Side	3 Side by Side	4 Side by Side
Size 1	0°	0.23	0.41	0.42	0.60	0.54	0.80	0.46	0.69	0.91
	10°	0.18	0.35	0.35	0.53	0.46	0.69	0.35	0.53	0.71
	20°	0.17	0.34	0.34	0.51	0.44	0.67	0.34	0.52	0.69
	30°	0.21	0.37	0.39	0.54	0.48	0.74	0.42	0.64	0.85
	40°	0.27	0.40	0.45	0.58	0.55	0.80	0.54	0.81	1.08
	45°	0.30	0.42	0.50	0.60	0.58	0.83	0.61	0.91	1.21
	50°	0.45	0.61	0.72	0.87	0.85	1.21	0.89	1.34	1.79
	60°	0.73	0.99	1.19	1.41	1.39	1.96	1.47	2.20	2.94
	70°	0.95	1.38	1.57	1.96	1.90	2.74	1.90	2.86	3.81
	80°	1.13	1.71	1.89	2.45	2.36	3.40	2.26	3.40	4.53
Size 2	0°	0.25	0.44	0.46	0.65	0.58	0.87	0.50	0.75	0.99
	10°	0.19	0.38	0.38	0.57	0.50	0.75	0.38	0.58	0.77
	20°	0.19	0.37	0.37	0.55	0.48	0.73	0.37	0.56	0.75
	30°	0.23	0.40	0.43	0.59	0.53	0.80	0.46	0.69	0.92
	40°	0.29	0.44	0.49	0.63	0.60	0.87	0.59	0.88	1.17
	45°	0.33	0.45	0.54	0.66	0.63	0.90	0.66	0.99	1.32
	50°	0.49	0.66	0.79	0.95	0.93	1.31	0.97	1.46	1.94
	60°	0.80	1.08	1.29	1.54	1.51	2.13	1.60	2.39	3.20
	70°	1.04	1.50	1.70	2.13	2.07	2.97	2.07	3.11	4.14
	80°	1.23	1.86	2.05	2.66	2.57	3.70	2.46	3.69	4.92
Size 3	0°	0.35	0.62	0.64	0.91	0.82	1.21	0.69	1.04	1.39
	10°	0.27	0.54	0.53	0.80	0.69	1.06	0.54	0.81	1.08
	20°	0.26	0.52	0.52	0.77	0.67	1.02	0.52	0.79	1.05
	30°	0.32	0.56	0.60	0.83	0.74	1.12	0.64	0.97	1.29
	40°	0.41	0.61	0.68	0.88	0.84	1.21	0.82	1.23	1.64
	45°	0.46	0.63	0.76	0.92	0.89	1.26	0.92	1.38	1.85
	50°	0.68	0.93	1.10	1.32	1.30	1.84	1.36	2.04	2.72
	60°	1.12	1.51	1.81	2.15	2.12	2.99	2.24	3.35	4.47
	70°	1.45	2.09	2.38	2.99	2.90	4.16	2.90	4.35	5.79
	80°	1.72	2.60	2.88	3.72	3.60	5.18	3.44	5.17	6.89
90°	1.95	3.02	3.32	4.35	4.22	6.03	3.91	5.86	7.82	

Power Selection And CCT Selection Capability

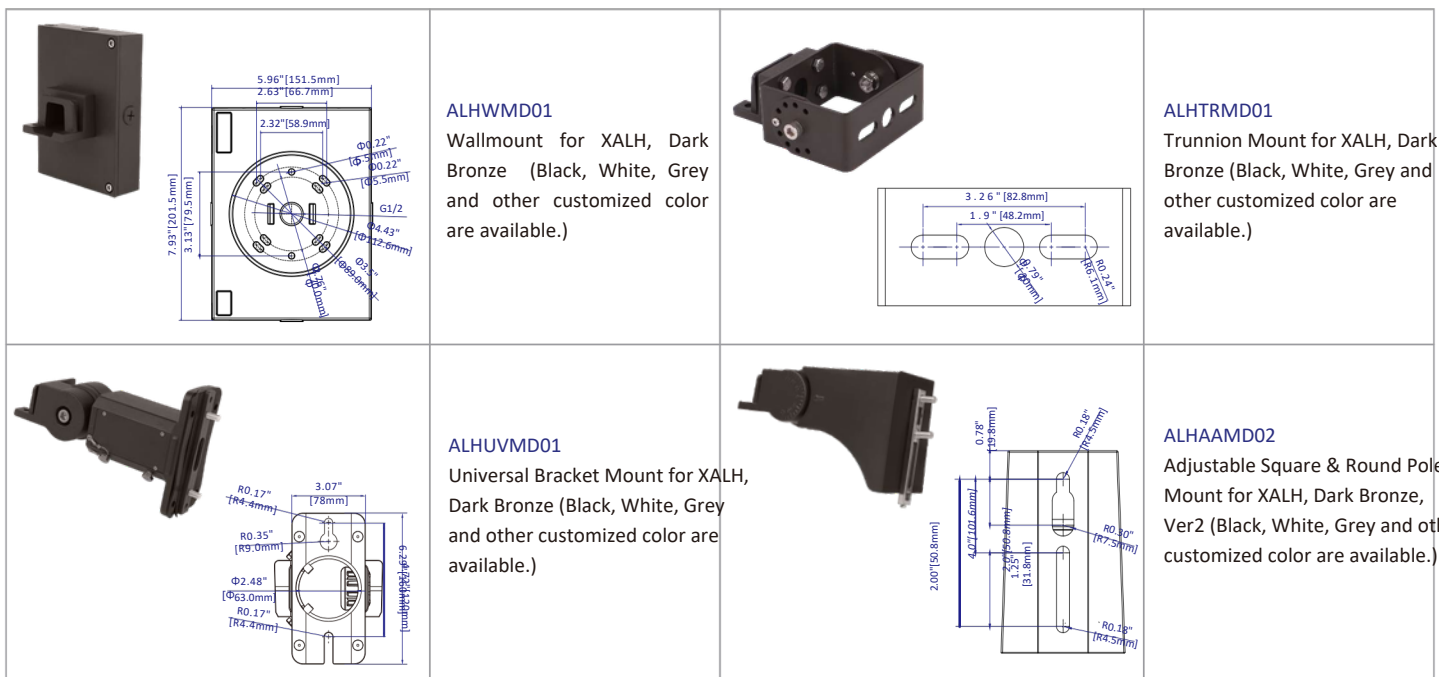


CCT Select Technology

Adjust CCT between 3000/4000/5000K, 5000K default setting.

Power Select Technology

Size	Power Selection	Default Setting
Size 1	Adjust power between 80/100/120/150W	150W
Size 2	Adjust power between 170/200/220/240W	240W
Size 3	Adjust power between 240/260/280/310W	310W

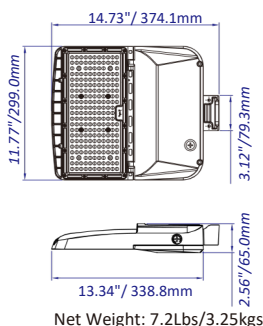


Electrical Data

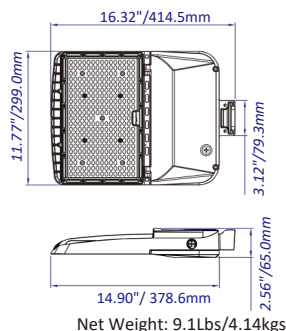
Wa age(W)	Current (A)					
	Input Voltage (V)					
	120	208	240	277	347	480
80	0.74	0.43	0.37	0.32	0.26	0.19
100	0.93	0.53	0.46	0.40	0.32	0.23
120	1.11	0.64	0.56	0.48	0.38	0.28
150	1.39	0.80	0.69	0.60	0.48	0.35
170	1.57	0.91	0.79	0.68	0.54	0.39
200	1.85	1.07	0.93	0.80	0.64	0.46
220	2.04	1.18	1.02	0.88	0.70	0.51
240	2.22	1.28	1.11	0.96	0.77	0.56
240	2.22	1.28	1.11	0.96	0.77	0.56
260	2.41	1.39	1.20	1.04	0.83	0.60
280	2.59	1.50	1.30	1.12	0.90	0.65
310	2.87	1.66	1.44	1.24	0.99	0.72

Dimensions & Weight

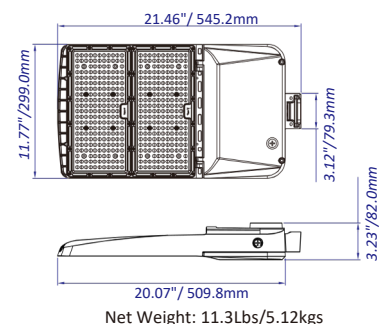
80W / 100W / 120W / 150W
Without Mounting Bracket



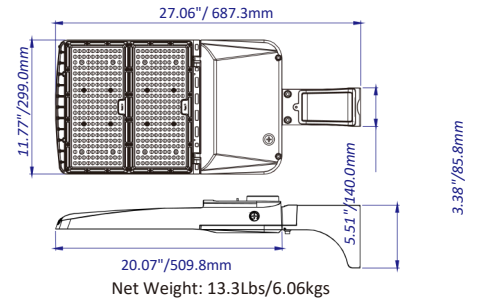
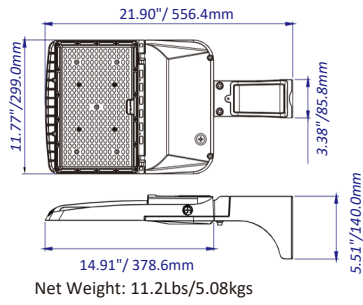
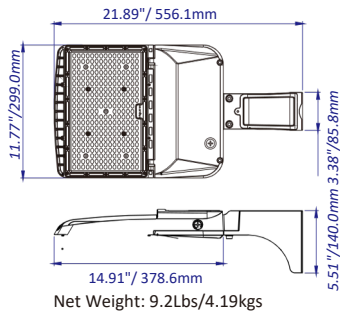
170W / 200W / 220W / 240W



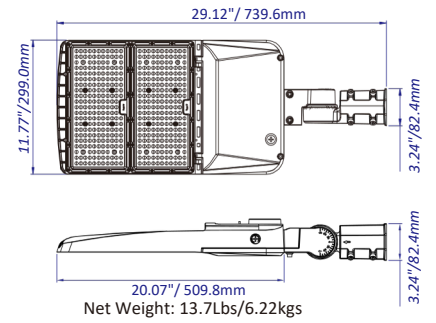
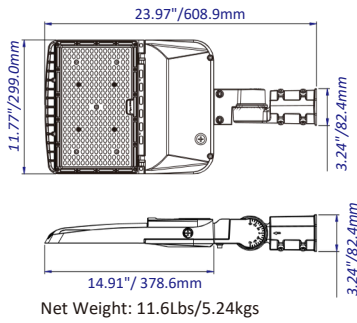
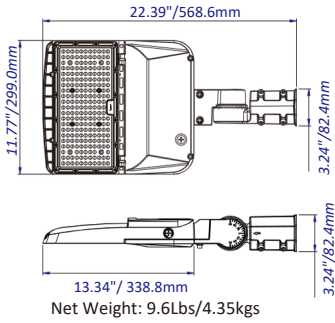
240W / 260W / 280W / 310W



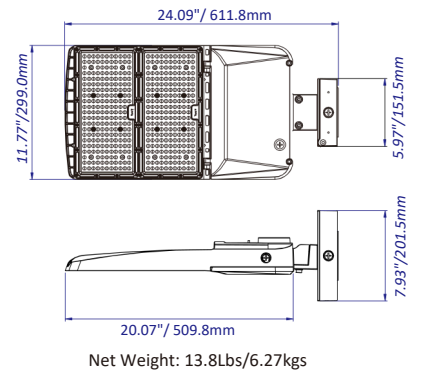
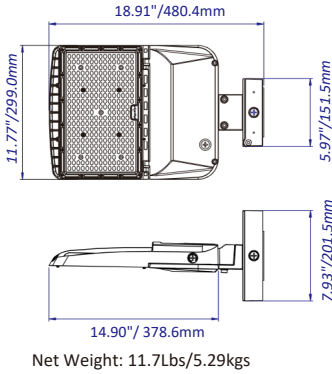
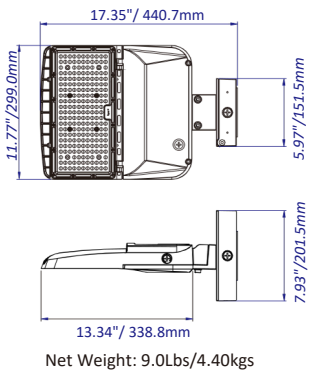
Square & Round Pole Mount



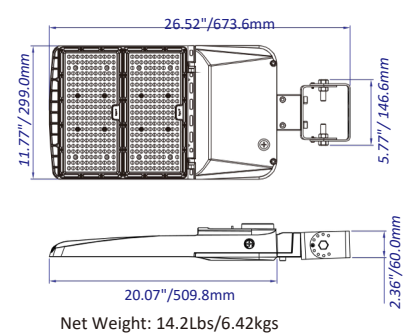
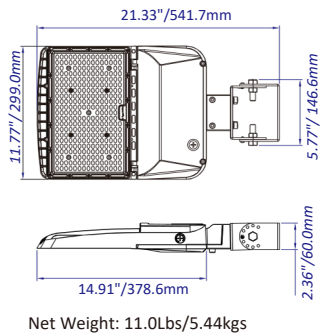
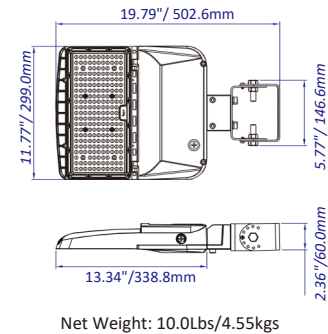
Slip Fi er Mount



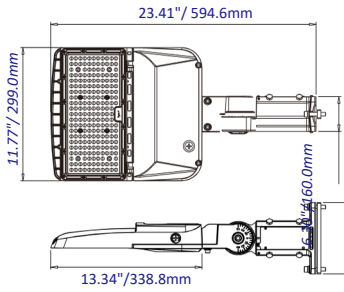
Wall Mount



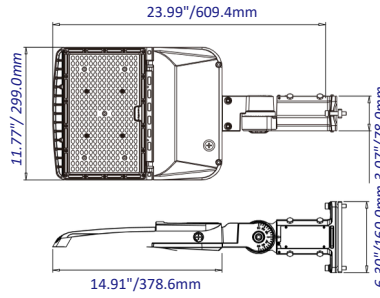
Trunnion Mount



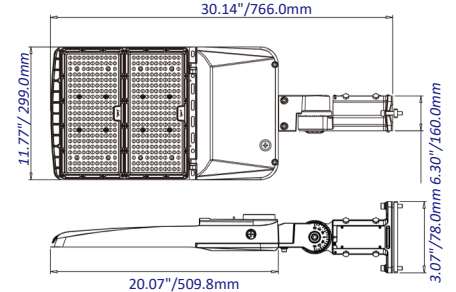
Universal bracket



Net Weight: 10.6Lbs/4.80kgs

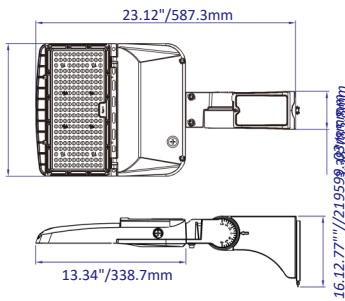


Net Weight: 12.5Lbs/5.69kgs

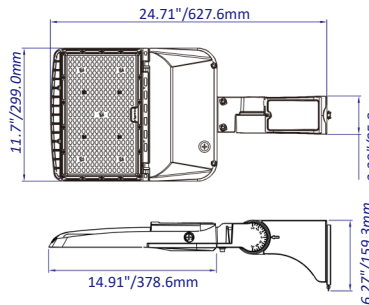


Net Weight: 14.7Lbs/6.67kgs

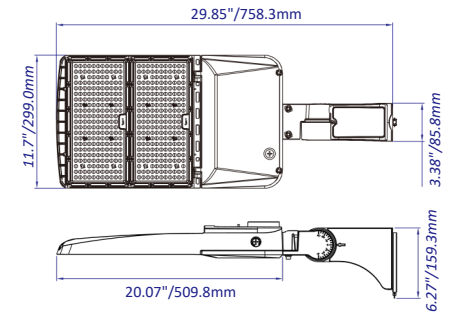
Adjustable Square & Round Pole Mount



Net Weight: 10.5Lbs/4.74kgs



Net Weight: 12.2Lbs/5.52kgs



Net Weight: 14.5Lbs/6.59kgs

Shipping Information

Model	Carton Size (in)	G.W. (lbs)	Per carton (pcs)	20GP (pcs)	40HQ (pcs)
XALH(80/100/120/150)W	15.59 x 13.07 x 5.24	8.42	1	1,260	3,466
XALH(170/200/220/240)W XALH(240/260/280/310)W	17.17 x 13.07 x 5.24	9.70	1	1,145	3,151
ALHSQMD02	22.32 x 13.07 x 5.71	11.73	1	825	2,270
(Square & Round Pole Mount) ALHSPMD01	23.6 x 8.7 x 7.7	17.59	8	7,272	20,000
(Slipfier Mount) ALHWMD01	14.8 x 9.8 x 7.9	20.35	8	10,105	27,789
(Wallmount) ALHTRMD01	17.3 x 13.2 x 8.9	21.75	8	5,580	15,345
(Trunnion Mount) ALHUVMD01	12.8 x 11.6 x 7.5	24.21	8	10,207	28,070
(Universal Bracket Mount) ALHAAMD02(Adjustable Square & Round Pole Mount)	14.4 x 14.0 x 9.3 20.5 x 15.6 x 6.7	28.68 28.70	8	6,006 5,429	16,516 14,932

Note: The packaging data can sometimes be outdated or incomplete. For the most reliable information, please reach out to us directly.