

# CPA SELECTABLE CANOPY LIGHT

LED Canopy Light with Selectable CCT and Lumen

## Introduction

- ◆ As the latest generation of Canopy Light, the CPA Series boasts extremely high cost-effectiveness and offers complete configurations. The CPA Series delivers 4,050lm to 9,400lm lumens, which can replace 100W-250W HID luminaires.
- ◆ Photocell or microwave sensor is available.
- ◆ Surface or Pendant mounting for option.



## Product Specifications

### Construction:

- ◆ Die-casting aluminum housing with four 1/2" NPT side conduit entries.

### Optics:

- ◆ Selectable CCT 4000K or 5000K (Default setting), CRI > 70.
- ◆ Heat-resistant polycarbonate lens.

### Electrical:

- ◆ 0-10V dimmable driver, which can dim from 100% down to off.
- ◆ Input voltage AC120-277V for US market, AC120-347V for Canada market, and 50/60Hz.

### Finish:

- ◆ Dark bronze is standard. White and other customized colors are available.

### Mounting:

- ◆ Quick mount plate for surface or junction box mounting.
- ◆ Pendant mounting can be done via a 3/4" NPT pipe, which is not supplied.

63W
45W
30W

WATTAGE SELECTABLE

4000K
5000K

CCT SELECTABLE



### Ambient Temperature:

- ◆ -40°F (-40°C) to 113°F (45°C)

### Compliances:

## Ordering Guide

EXAMPLE: X-CPA(63/45/30)W-(40/50)KUV-XY

Brand X	Product name CPA	Wattage XXXW	CCT XXK	Input Voltage <sup>3</sup> AA	Sensor X	Photocell Y
XS	CPA	(63/45/30)W <sup>1</sup>	(40/50)K <sup>2</sup>	UV=120-277V LV=120-347V	Blank=without motion Sensor S=with motion Sensor	Blank=without photocell P=with photocell

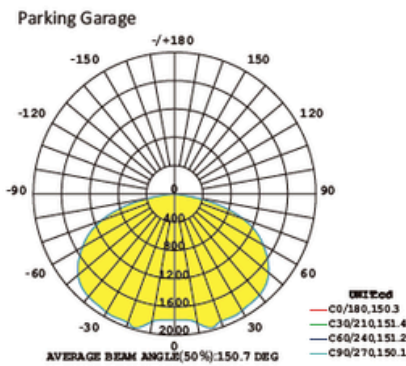
Note: 1. (63/45/30)W=63W, 45W, 30W Selectable, 63W default setting.  
 2. (40/50)K=4000K, 5000K Selectable, 5000K default setting.  
 3. The Input Voltage AC120-277V is for US Market, AC120-347V is for Canada Market.

## Performance Data

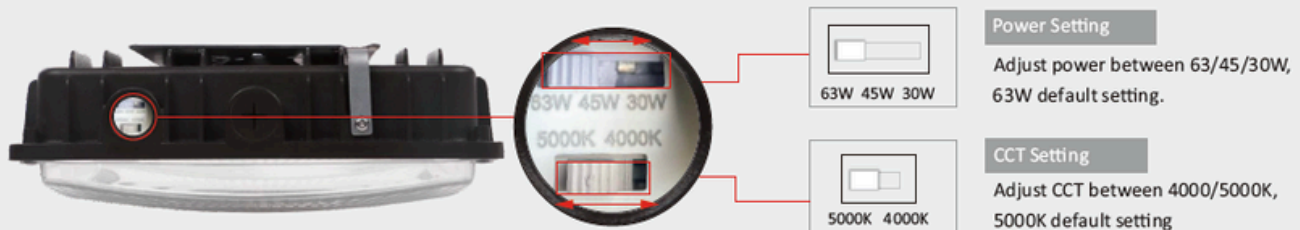
Lumen values are based on 120V AC input product configuration, contact for performance data on any configurations not shown here.

Lumen Level	Wattage Selectable	Nominal CCT	CCT Selectable	Lumens	Watts	LPW	CRI
1	Yes	4000K	Yes	4,900	30	163	>70
		5000K		4,450	30	148	
2		4000K		7,100	45	158	
		5000K		6,450	45	143	
3		4000K		9,400	63	149	
		5000K		8,550	63	136	

## Photometrics



## Power Selection And CCT Selection Capability



## Accessories

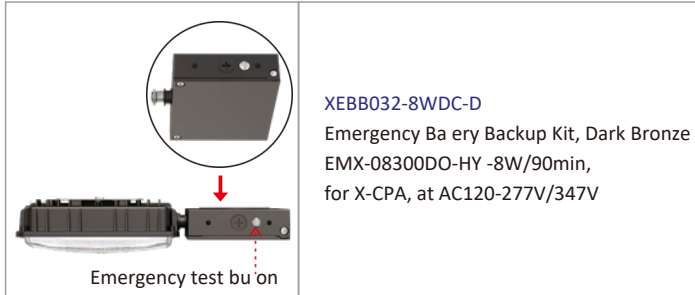
### Control Options

Factory-Installable ONLY

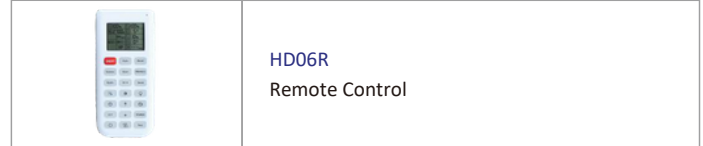
	XPC-B Photocell -With Sunshade Cover		XMSMH-H01-CPA Microwave sensor HB001VCR for X-CPA (Note: The driver must have 12v)
--	---	--	--

## Emergency Battery Backup

Factory-Installable ONLY



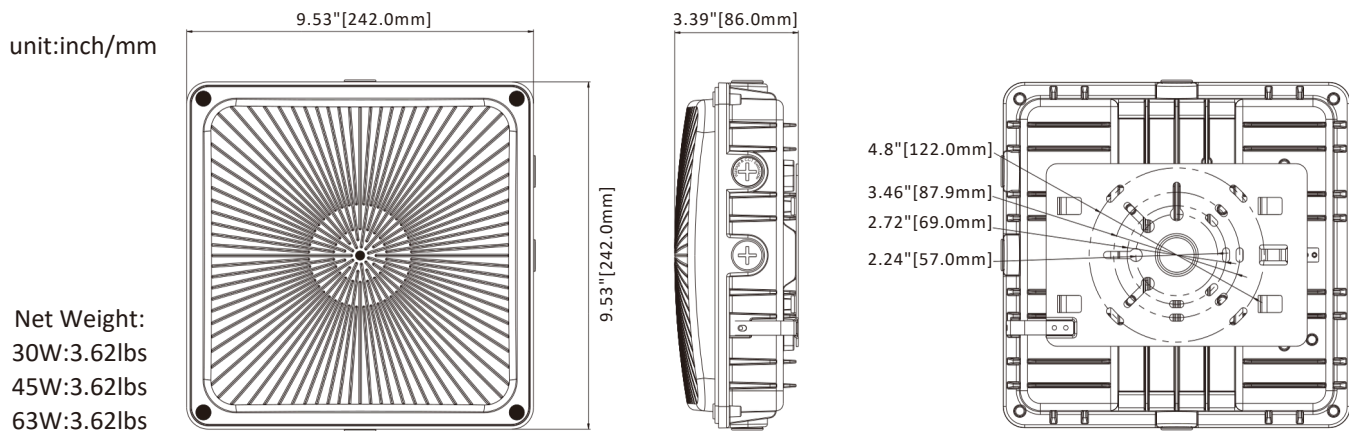
Field-Installable / Field-Use ONLY (purchased separately)



## Electrical Data

Wa gage(W)	Current (A)				
	Input Voltage (V)				
	120	208	240	277	347
30	0.28	0.16	0.14	0.12	0.10
45	0.42	0.24	0.21	0.18	0.14
63	0.58	0.34	0.29	0.25	0.20

## Dimensions



## Shipping Information

Carton Size (in)	G.W. (lbs)	Per carton (pcs)	20GP (pcs)	40HQ (pcs)
24.02 x 10.94 x 11.18	29.76	6	2,904	7,992

Note:The packaging data can some mes be outdated or incomplete. For the most reliable informa on, please reach out to us directly.