

# WPD WALL PACK LIGHT

LED Full Cut-off Wall Pack Light  
with Selectable CCT and Lumen

## Introduction

- ◆ The WPD series is available in lumen packages from 4,650 to 19,375 lumens with a wide and even distribution. Since WPD occupies the same area as a typical metal halide glass wall pack, it can completely cover unsightly stains.
- ◆ A high-quality polycarbonate lens, which works with a high-efficiency light engine to provide superior illumination.
- ◆ It comes with a photocell as a standard feature and an emergency battery backup as an optional feature.



## Product Specifications

### Construction:

- ◆ Rugged die-casting aluminum housing with bronze powder coating for durability. Castings are sealed with integral gaskets to prevent the ingress of external contaminants.

### Electrical:

- ◆ Equipped with a 0-10V dimmable driver, the dimming wires are available for connection to a dimmer.
- ◆ Input voltage AC120-277V for US market, AC120-347V for Canada market, and 50/60Hz.
- ◆ Designed to withstand surges of up to L/N-PE:6kV and L-N:4kV.

### Optics:

- ◆ Selectable CCT 3000K, 4000K or 5000K (Default setting), CRI >70.
- ◆ Borate glass lens and a polycarbonate lens are optional.

### Finish:

- ◆ Standard color is dark bronze

### Ambient Temperature:

- ◆ -40° F (-40° C) to 113° F (45° C)



### Product Selectable:

63W 45W 30W

WATTAGE SELECTABLE

125W 105W 76W

WATTAGE SELECTABLE

90W 63W 45W

WATTAGE SELECTABLE

3000K 4000K 5000K

CCT SELECTABLE

## Ordering Guide

EXAMPLE: X-WPD(63/45/30)W-(30/40/50K)UV-ZK

	Product name WPD	Wattage <sup>1</sup> XXXW	CCT <sup>2</sup> XXK	Input Voltage <sup>3</sup> AA	Photocell Z	Emergency Battery K
	WPD	(63/45/30)W (90/63/45)W (125/105/76)W	(30/40/50)K	UV=120-277V LV=120-347V	Blank=without photocell P=with photocell	Blank=without emergency E=with emergency

Note: 1. {63/45/30}W=63W, 45W, 30W Selectable, 63W default setting. {90/63/45}W=90W, 63W, 45W Selectable, 90W default setting. {125/105/76}W=125W, 105W, 76W Selectable, 125W default setting.

2. {30/40/50}K=3000K, 4000K, 5000K Selectable, 5000K default setting.

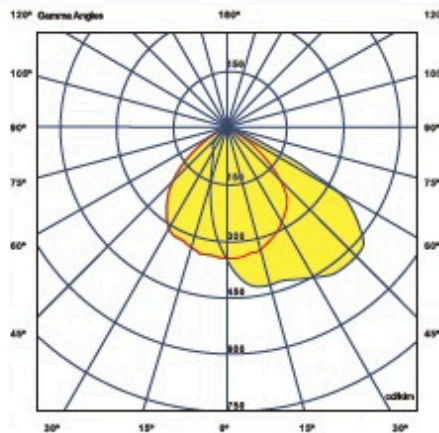
3. The Input Voltage AC120-277V is for US Market, AC120-347V is for Canada Market.

# Performance Data

Lumen values are based on 120V AC input product configuration, contact for performance data on any configurations not shown here.

Lumen Level	Wattage Selectable	Nominal CCT	CCT Selectable	Lumens	Watts	LPW	CRI
1	Yes	3000K	Yes	4,750	30	158	>70
		4000K		5,150	30	172	
		5000K		4,950	30	165	
2		3000K		6,900	45	153	
		4000K		7,550	45	168	
		5000K		7,250	45	161	
3		3000K		9,200	63	146	
		4000K		10,250	63	163	
		5000K		9,850	63	156	
1	Yes	3000K	Yes	7,300	45	162	>70
		4000K		7,900	45	176	
		5000K		7,600	45	169	
2		3000K		9,650	63	153	
		4000K		10,600	63	168	
		5000K		10,150	63	161	
3		3000K		13,200	90	147	
		4000K		14,450	90	161	
		5000K		13,900	90	154	
1	Yes	3000K	Yes	12,000	76	158	>70
		4000K		13,500	76	178	
		5000K		12,750	76	168	
2		3000K		15,800	105	150	
		4000K		17,900	105	170	
		5000K		17,050	105	162	
3		3000K		18,200	125	146	
		4000K		20,800	125	166	
		5000K		19,700	125	158	

# Photometrics



# Power Selection And CCT Selection Capability

**CCT Setting**  
Adjust CCT between 3000/4000/5000K, 5000K default setting

**Power Setting**

Size	Power Selection	Default Setting
Small	Adjust power between 63/45/30W	63W
	Adjust power between 90/63/45W	90W
Large	Adjust power between 125/105/76W	125W

3000K  
4000K  
5000K

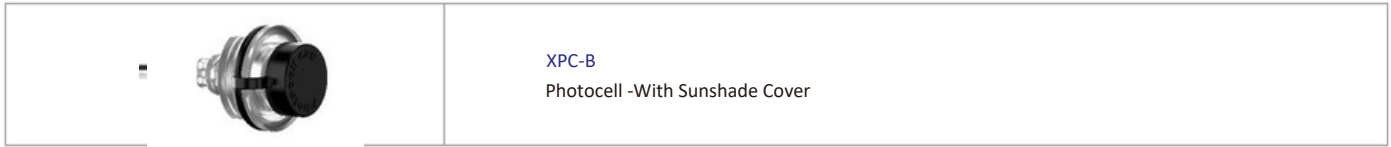
1  
2  
3

Note: Before Setting Power & CCT, loosen the 2 captive screws in the side of front housing, remove the front case set carefully from the back plate.

## Accessories

### Control Options

Comes as standard



### Emergency Battery Backup

Factory-Installable OR Field-Installable (field-installable purchased separately)

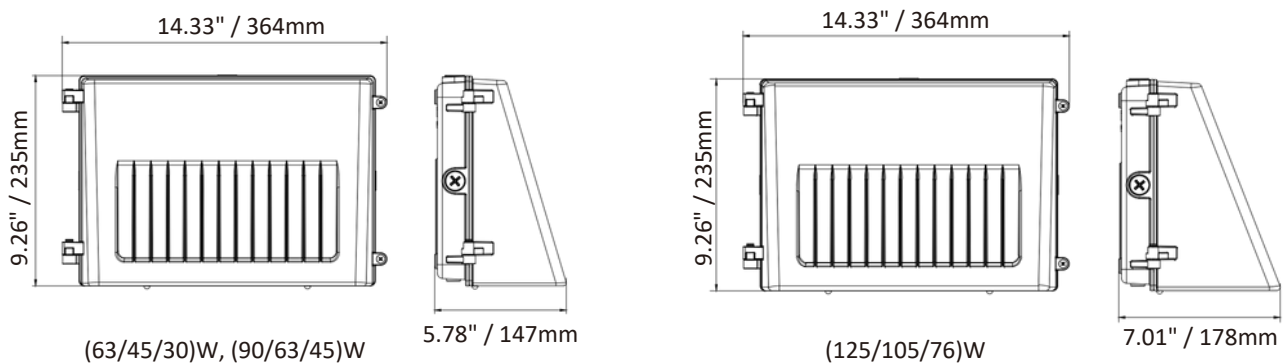


Note: In emergency mode, (30/40/50)K Selectable: 3000K disabled, 4000K/5000K available.

## Electrical Data

Wattage(W)	Current (A)					
	Input Voltage (V)					
	120	208	240	277	347	
X-WPD(63/45/30)W	30	0.28	0.16	0.14	0.12	0.10
	45	0.42	0.24	0.21	0.18	0.14
	63	0.58	0.34	0.29	0.25	0.20
X-WPD(90/63/45)W	45	0.42	0.24	0.21	0.18	0.14
	63	0.58	0.34	0.29	0.25	0.20
	90	0.83	0.48	0.42	0.36	0.29
X-WPD(125/105/76)W	76	0.72	0.42	0.36	0.31	0.25
	105	0.97	0.56	0.49	0.42	0.34
	125	1.16	0.67	0.58	0.50	0.40

## Dimensions



## Shipping Information

	Carton Size (in)	G.W. (lbs)	Per carton (pcs)	20GP (pcs)	40HQ (pcs)
X-WPD(63/45/30)W X-	15.75 x 11.42 x 7.17	7.91	1	1,088	2,994
<del>W</del> WPD(90/63/45)W	15.75 x 11.42 x 7.17	7.91	1	1,088	2,994
WPD(125/105/76)W	15.75 x 11.42 x 8.43	9.50	1	940	2,586

Note: The packaging data can sometimes be outdated or incomplete. For the most reliable information, please reach out to us directly.