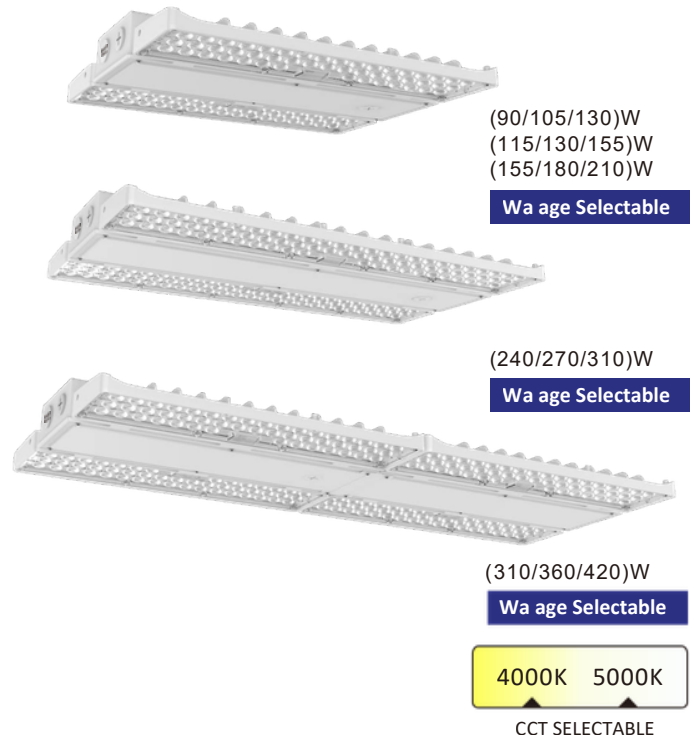


LHBC SELECTABLE HIGH BAY

LED Linear High Bay with Selectable CCT and Lumen

Introduction

- ◆ The LHBC Linear High Bay is a super compact design using die-cast housing, with the clean and integral structure.
- ◆ Making it save a lot of shipping cost and easier to install. Standard 6,10KV surge protection, making it steady running under the poor power condition.
- ◆ LHBC offers two levels efficiency, 150lm/w as standard and 170lm/w for high efficiency version.
- ◆ The whole family with two different sizes. Motion sensor and remote controller are available. Also Zhaga base or emergency battery backup is optional.
- ◆ It widely used for warehouse and storage, industrial facilities, sports facilities, gyms, etc.



Features

Construction

- ◆ LHBC linear high bay features a die-cast aluminum housing. Powder coat corrosion resistant finish.

Electrical:

- ◆ 0-10V dimmable driver, which can dim from 100% down to off.
- ◆ Input voltage 120-277V/277-480V for US market, 120-347V for Canada market, and 50/60Hz.
- ◆ Designed to withstand surges of up to L/N - PE: 10 kV and L - N: 6 kV (for voltages of 120 - 277V/120 - 347V/277 - 480V).

Optics :

- ◆ Selectable CCT 4000K or 5000K (Default setting), CRI >80.
- ◆ Polycarbonate lens with high angle cut-off design, UGR<28 meet DLC 5.1 premium.
- ◆ General Op c Lens and Aisle Op c Lens are available.



Finish :

- ◆ White color is standard.

Ambient Temperature:

- ◆ -13° F (-25° C) to 122° F (50° C)

Compliances:

- ◆ cULus listed for damp locations.
- ◆ DLC® (DesignLights Consortium) Qualified. Please refer to the DLC

Ordering Guide

EXAMPLE: X-LHBC(115/130/155)W-(40/50)KLV-SEM

Brand X	Product series LHBC	Wa age ¹ XXXW	CCT XXK	Input Voltage ³ Y	Sensor X	Emergency Battery Y	Product code ⁴ X
XSY	LHBC	(90/105/130)W (115/130/155)W (155/180/210)W (240/270/310)W (310/360/420)W	(40/50)K=4000K/5000K ²	LV=120-277V/347V HV=277-480V	S=with Motion sensor or Daylight sensor Blank=without Motion sensor or Daylight sensor	Blank=without emergency E=with emergency	Internal code M - General Efficacy L - General Efficacy H - High Efficacy

Note:1. (90/105/130)W=130W, 105W, 90W Selectable, 130W default setting. (115/130/155)W=155W, 130W, 115W Selectable, 155W default setting. (155/180/210)W=210W, 180W, 155W Selectable, 210W default setting. (240/270/310)W=310W, 270W, 240W Selectable, 310W default setting. (310/360/420)W=420W, 360W, 310W Selectable, 420W default setting.
2. (40/50)K=4000K, 5000K Selectable, 5000K default setting.
3. The Input Voltage AC120-277V and AC277-480V is for US Market, AC120-347V is for Canada Market only.
4. General Efficacy=150lm/w, High Efficacy=170lm/w, M code only for (115/130/155)W, (155/180/210)W and (310/360/420)W, and L code for (240/270/310)W.

Performance Data

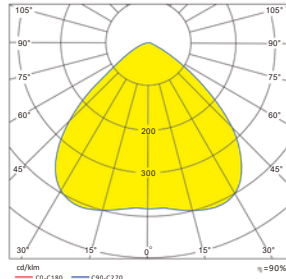
General Efficacy

Lumen Level	Wa age Selectable	Nominal CCT	CCT Selectable	@AC120-277V/120-347V			@AC277-480V			CRI
				Lumens	Wa s LPW		Lumens	Wa s LPW		
1	Yes	4000	Yes	14,820	90	165	14,570	90	162	>80
		5000		14,410	90	160	14,240	90	158	
2		4000		16,960	105	162	16,680	105	159	
		5000		16,500	105	157	16,370	105	156	
3		4000		20,150	130	155	19,830	130	153	
		5000		19,640	130	151	19,500	130	150	
1	Yes	4000	Yes	18,580	115	162	18,520	115	161	>80
		5000		18,090	115	157	17,970	115	156	
2		4000		20,600	130	158	20,530	130	158	
		5000		20,060	130	154	19,930	130	153	
3		4000		23,820	155	154	23,910	155	154	
		5000		23,250	155	150	23,250	155	150	
1	Yes	4000	Yes	25,160	155	162	24,850	155	160	>80
		5000		24,540	155	158	24,440	155	158	
2		4000		28,660	180	159	28,310	180	157	
		5000		27,960	180	155	27,850	180	155	
3		4000		32,220	210	153	31,950	210	152	
		5000		31,500	210	150	31,500	210	150	
1	Yes	4000	Yes	39,840	240	166	39,880	240	166	>80
		5000		39,010	240	163	38,980	240	162	
2		4000		42,740	270	158	42,790	270	158	
		5000		41,850	270	155	41,820	270	155	
3		4000		47,400	310	153	47,480	310	153	
		5000		46,500	310	150	46,500	310	150	
1	Yes	4000	Yes	50,290	310	162	50,320	310	162	>80
		5000		49,190	310	159	49,090	310	158	
2		4000		57,130	360	159	57,330	360	159	
		5000		56,050	360	156	55,940	360	155	
3		4000		64,250	420	153	64,430	420	153	
		5000		63,000	420	150	63,000	420	150	

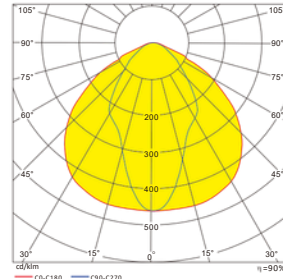
High Efficacy

Lumen Level	Wa age Selectable	Nominal CCT	CCT Selectable	@AC120-277V/120-347V			CRI
				Lumens	Wa s LPW		
1	Yes	4000	Yes	21,160	115	184	>70
		5000		20,840	115	181	
2		4000		23,600	130	182	
		5000		23,110	130	178	
3		4000		26,870	155	173	
		5000		26,350	155	170	
1	Yes	4000	Yes	28,480	155	184	>70
		5000		27,900	155	180	
2		4000		32,450	180	180	
		5000		31,900	180	177	
3		4000		36,250	210	173	
		5000		35,700	210	170	
1	Yes	4000	Yes	45,200	240	188	>70
		5000		44,490	240	185	
2		4000		48,490	270	180	
		5000		47,730	270	177	
3		4000		53,440	310	172	
		5000		52,700	310	170	
1	Yes	4000	Yes	56,690	310	183	>70
		5000		55,680	310	180	
2		4000		64,590	360	179	
		5000		63,440	360	176	
3		4000		72,600	420	173	
		5000		71,400	420	170	

Photometrics

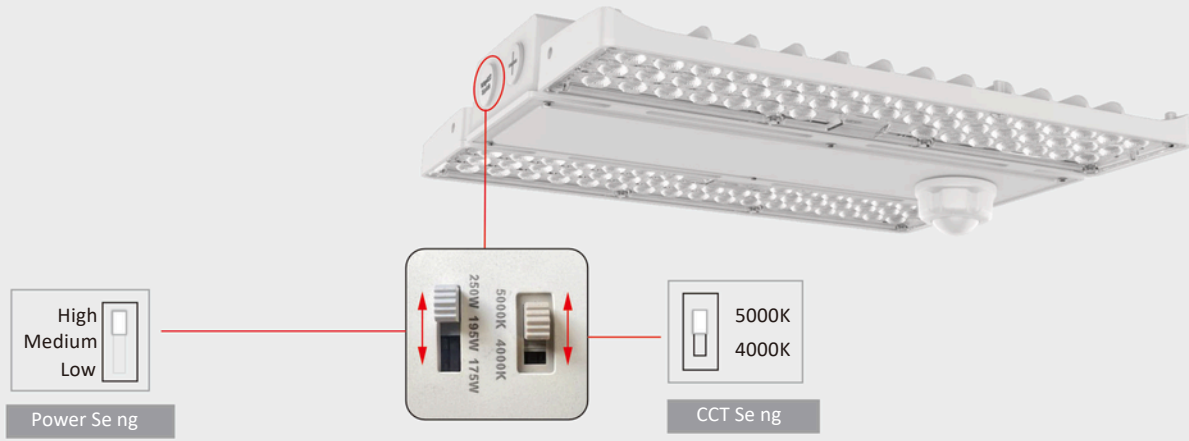


General Op c (as standard offer)



Aisle Op c (lens changing needed)

Power Selec on And CCT Selec on Capability



Size	Power Selec on	Default Selec on
Small 1.2	Adjust power between 90/105/130W	130W
	Adjust power between 115/130/155W	155W
	Adjust power between 155/180/210W	210W
Medium 1.7	Adjust power between 210/270/310W	310W
Small (combined) 2.4	Adjust power between 310/360/420W	420W

Adjust CCT between 4000/5000K, 5000K default selec on.


Accessories

Sensor

Factory-Installable OR Field-Installable (field-installable purchased separately)


	<p>HD09VR-PH Screw-in PIR Sensor</p>		<p>HD09VR-PHB Screw-in PIR Sensor (Networking Wireless Control Version)</p>
---	--	---	---

Field-Installable / Field-Use ONLY (purchased separately)

	<p>HD06R Remote Control</p>
---	---------------------------------

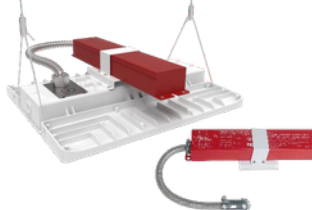
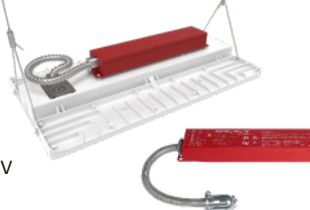
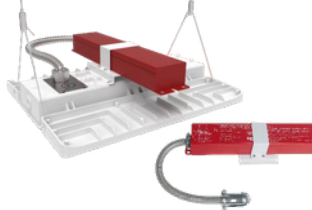
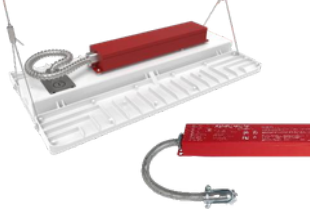
Adapter

Field-Installable (field-installable purchased separately)

	<p>X3PTZ10ZGA-WA Zhaga Adapter for 3-pin Reverse to Z10 Zhaga</p>
---	--





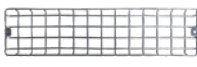

Emergency Battery Backup

Factory-Installable OR Field-Installable (field-installable purchased separately)

	<p>XEBB05-25WAC Emergency battery backup EMA25FY-170 -25W/90min, for X-LHBC-90W~210W, at AC-120-277/347V</p>		<p>XEBB06-40WAC Emergency battery backup EMA40FY-170 -40W/90min, for X-LHBC-240W~310W, at 120-277/347V</p>
	<p>XEBB19-40WACHV Emergency battery backup EMA-40500DI-HY -40W/90min, for X-LHBC-90W~210W, at AC277-480V</p>		<p>XEBB20-40WACHV Emergency battery backup EMA-40500DI-HY -40W/90min, for X-LHBC-240W~310W, at AC277-480V</p>





Mounts and Kits

Field-Installable / Field-Use ONLY (purchased separately)

	<p>XSPM-1.5M-A-LHB Suspension Mount - 1.5m hanging length 2pcs (Default Include)</p>		<p>XSM-A-LHB Surface Mount - 2pcs</p>
	<p>XCM-A-LHB Conduit & Surface Mount</p>		<p>AC-LHBE-CK-A Connect on Kits</p>
	<p>XSM-A-LHB Wire Guard - small size, 2pcs /set for LHBC-90W~210W, 310-420W (need 4pcs)</p>		<p>XCM-A-LH Wire Guard- medium size, 2pcs/set for LHBC-240W~310W</p>

Lens

Factory-Installable OR Field-Installable (field-installable purchased separately)

	<p>X-LHBC-MilkyLS-S-B Milky Op cal Lens -small size for X-LHBC, 1pcs</p>		<p>X-LHBC-MilkyLS-M-B Milky Op cal Lens -medium size for X-LHBC 1pcs</p>
	<p>X-LHBC-AisleLS-S-A Aisle Op cal Lens -small size for X-LHBC, 1pcs</p>		<p>X-LHBC-AisleLS-M-A Aisle Op cal Lens -medium size for X-LHBC, 1pcs</p>

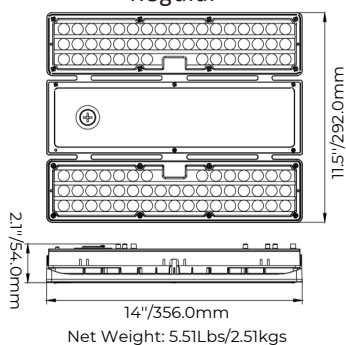
Electrical Data

Wa age(W)	Current (A)					
	Input Voltage (V)					
	120	208	240	277	347	480
90	0.83	0.48	0.42	0.36	0.29	0.21
105	0.97	0.56	0.49	0.42	0.34	0.24
130	1.20	0.69	0.60	0.52	0.42	0.30
115	1.06	0.61	0.53	0.46	0.37	0.27
130	1.20	0.69	0.60	0.52	0.42	0.30
155	1.44	0.83	0.72	0.62	0.50	0.36
155	1.44	0.83	0.72	0.62	0.50	0.36
180	1.67	0.96	0.83	0.72	0.58	0.42
210	1.94	1.12	0.97	0.84	0.67	0.49
240	2.22	1.28	1.11	0.96	0.77	0.56
270	2.50	1.44	1.25	1.08	0.86	0.63
310	2.87	1.66	1.44	1.24	0.99	0.72
310	2.87	1.66	1.44	1.24	0.99	0.72
360	3.33	1.66	1.67	1.44	0.99	0.72
360	3.89	1.92	1.94	1.68	1.15	0.83
420		2.24			1.34	0.97

Dimensions & Weight

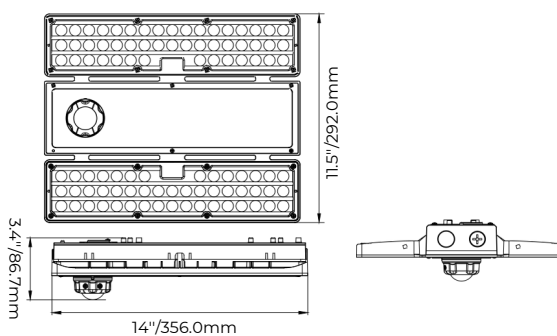
90-210W(1.2)

Regular



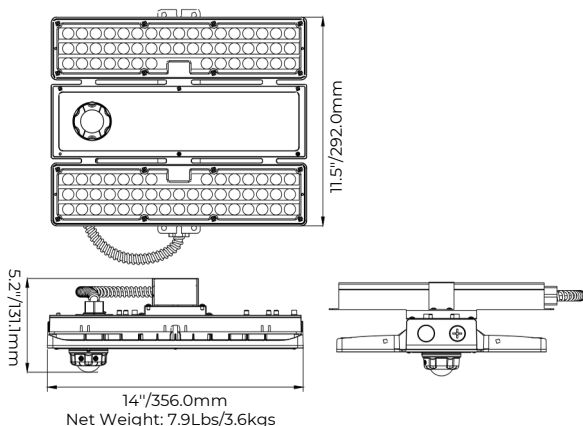
Net Weight: 5.51Lbs/2.51kgs

With Sensor



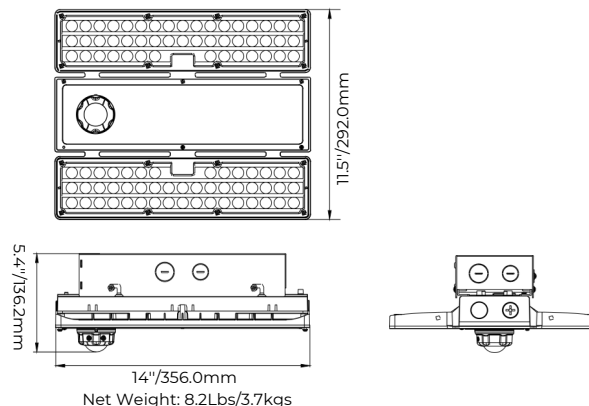
Net Weight: 5.61Lbs/2.54kgs

With Emergency B ery Backup & Sensor



Net Weight: 7.9Lbs/3.6kgs

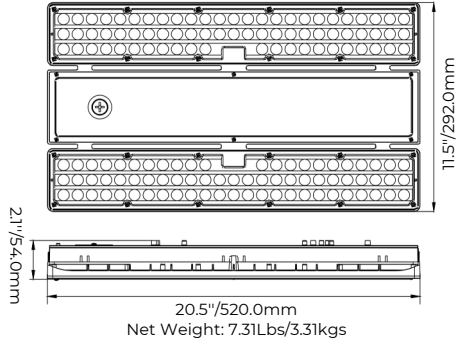
With Conduit & Surface Mount Kit & Sensor



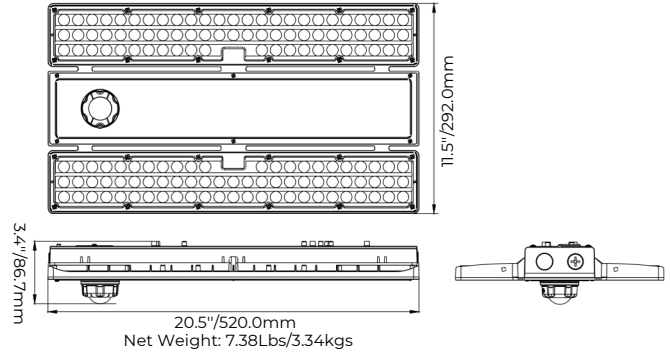
Net Weight: 8.2Lbs/3.7kgs

240-310W(1.7)

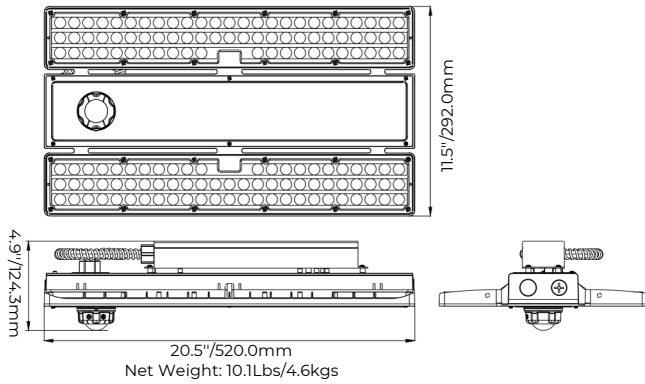
Regular



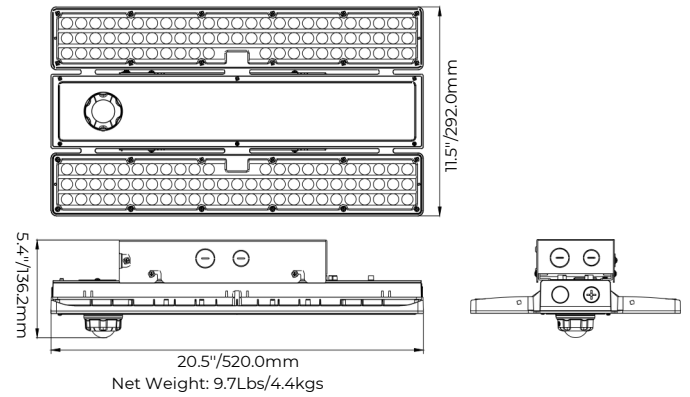
With Sensor



With Emergency Battery Backup & Sensor

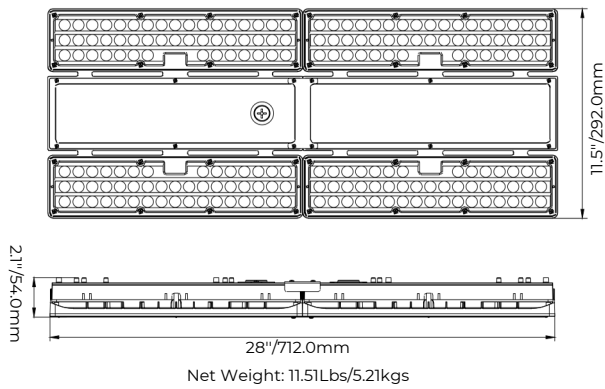


With Conduit & Surface Mount Kit & Sensor

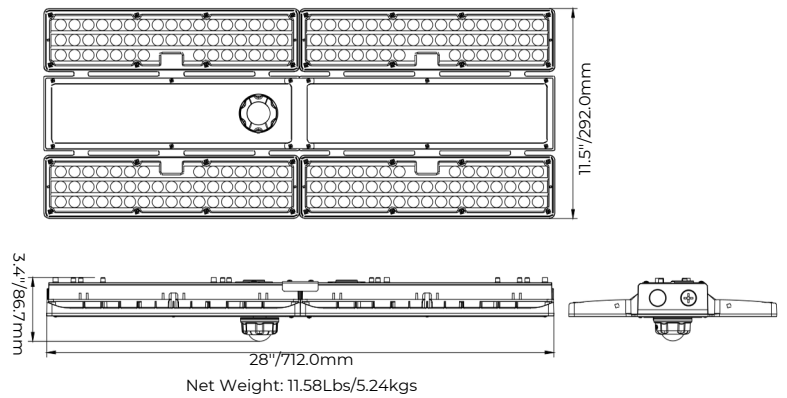


310-420W(2.4)

Regular



With Sensor



Shipping Information

Carton Size (in)	G.W. (lbs)	Per carton (pcs)	20GP (pcs)	40HQ (pcs)
15.59x12.99x5.28	12.17	2	2,534	6,968
15.59x12.99x5.28	12.17	2	2,534	6,968
15.59x12.99x5.28	12.17	2	2,534	6,968
22.44x12.99x5.28	18.08	2	1,822	5,012
29.92x12.99x5.28	18.08	2	1,367	3,759

Note: The packaging data can sometimes be outdated or incomplete. For the most reliable information, please reach out to us directly.