

LHBD SELECTABLE HIGH BAY

LED Linear High Bay with Selectable CCT and Lumen

Introduction

- ◆ The LHBD series Linear High Bay Light uses highly reflective metal for optimal all-in-one housing design. Available in 2ft and 4ft lengths.
- ◆ It provides energy saving and maintenance-free durability for a variety of applications. The LHBD is also ideal for the new construction or replacement of 4 to 8 lamp F32T8 / F54T5 High Output Fluorescent or 250-1000 watts Metal Halide.
- ◆ Sensor, Zhaga base and emergency battery backups are optional. The Motion sensor with networking wireless control version also supports LLLC HAISEN BLUE and Sil vair.
- ◆ Widely used in Warehouses and storage, Industrial facilities, Retail centers, Manufacturing, Sports facilities and Gyms.



Product Specifications

Construction

- ◆ Assembly made of heavy duty thick gauge steel, rigidly designed to resist twisting and bowing.

Electrical:

- ◆ 0-10v dimmable driver, which can dim from 100% down to off.
- ◆ Input voltage 120-277V/277-480V for US market, 120-347V for Canada market, and 50/60Hz.

Optics :

- ◆ CCT Selectable 4000K or 5000K (Default setting) , CRI >80.
- ◆ Frosted diffuser creates even and glare free light distributed broadly.

Finish :

- ◆ White color is standard.

Ambient Temperature:

- ◆ -13° F (-25° C) to 113° F (45° C)

Mounting:

- ◆ Aircraft Cable Suspension mount included. Knockout holes in place for easy connection with MC cable or conduit. Optional Surface or Conduit Mount Kit.



Product Selectable:

105W	90W	80W	165W	140W	130W
WATTAGE SELECTABLE (2ft)			WATTAGE SELECTABLE (2/4ft)		
225W	195W	175W	300W	260W	230W
WATTAGE SELECTABLE (2/4ft)			WATTAGE SELECTABLE (4ft)		
4000K		5000K			
CCT SELECTABLE					

Ordering Guide

EXAMPLE: X-LHBD2F(105/90/80)W-(40/50)KUV-XXY

Brand X	Product series LHBD	Size XF	Wattage ¹ XXXW	CCT XXX	Input Voltage ³ AA	Sensor XX	Emergency Battery Y
XS	LHBD	2F=2FT 4F=4FT	(105/90/80)W (165/140/130)W (225/195/175)W (300/260/230)W	(40/50)K=4000K/5000K ²	UV=120-277Vac LV=120-347Vac HV=277-480Vac	S=Sensor BS=Networking Wireless Control version Sensor Blank=without Sensor	E=with emergency Blank=without emergency

Note: 1.(105/90/80)W=105W, 90W, 80W Selectable, 105W default setting. (165/140/130)W=165W, 140W, 130W Selectable, 165W default setting. (225/195/175)W=225W, 195W, 175W Selectable, 225W default setting. (300/260/230)W=300W, 260W, 230W Selectable, 300W default setting.
 2.(40/50)K=4000K, 5000K Selectable, 5000K default setting.
 3.The Input Voltage AC120-277V/AC277-480V is for US Market, AC120-347V is for Canada Market.

Performance Data

Lumen values are based on 120VAC input product configuration, contact for performance data on any configurations not shown here.

Lumen Level	Nominal CCT	Lumens	Watts	LPW	CRI	
1	4000K	13,200	80	165	>80	
	5000K	12,800	80	160		
2	4000K	14,500	90	161		
	5000K	14,150	90	157		
3	4000K	16,600	105	158		
	5000K	16,000	105	152		
1	4000K	20,950	130	161		>80
	5000K	20,450	130	157		
2	4000K	22,150	140	158		
	5000K	21,600	140	154		
3	4000K	25,450	165	154		
	5000K	24,450	165	148		
1	4000K	29,250	175	167	>80	
	5000K	28,550	175	163		
2	4000K	32,200	195	165		
	5000K	31,400	195	161		
3	4000K	35,550	225	158		
	5000K	34,900	225	155		
1	4000K	21,850	130	168		>80
	5000K	21,350	130	164		
2	4000K	23,100	140	165		
	5000K	22,550	140	161		
3	4000K	26,600	165	161		
	5000K	25,750	165	156		
1	4000K	30,100	175	172	>80	
	5000K	29,400	175	168		
2	4000K	33,150	195	170		
	5000K	32,400	195	166		
3	4000K	37,150	225	165		
	5000K	36,450	225	162		
1	4000K	37,950	230	165		>80
	5000K	37,050	230	161		
2	4000K	42,150	260	162		
	5000K	41,100	260	158		
3	4000K	47,400	300	158		
	5000K	46,200	300	154		

Power Selection And CCT Selection Capability

CCT Selection
Adjust CCT between 4000/5000K, 5000K default setting.

Power Selection

Size	Power Selection	Default Setting
2	Adjust power between 105/90/80W	105W
	Adjust power between 165/140/130W	165W
	Adjust power between 225/195/175W	225W
4	Adjust power between 165/140/130W	165W
	Adjust power between 225/195/175W	225W
	Adjust power between 300/260/230W	300W

Accessories

Sensor

Factory-Installable OR Field-Installable (field-installable purchased separately)

	HD09VR-PH Screw-in PIR Sensor		HD09VR-PHB Screw-in PIR Sensor (Networking Wireless Control Version)
--	----------------------------------	--	--

Field-Installable / Field-Use ONLY (purchased separately)

	<p>HD06R Remote Control</p>
--	--



Adapter

Field-Installable (field-installable purchased separately)

	<p>X3PTZ10ZGA-WA Zhaga Adapter for 3-pin Reverse to Z10 Zhaga</p>
---	--


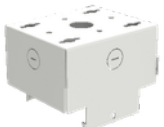


Emergency Battery Backup

Factory-Installable ONLY

	<p>XEBB022-20WDC Emergency battery backup EMB20U1-230 -20W/90min, for X-LHBD80W~225W, at AC120-277V/347V</p>		<p>XEBB023-30WDC Emergency battery backup EMB30U1-230 -30W/90min, for X-LHBD230W~300W, at AC120-277V/347V</p>
--	---	--	--

Mounts and Kits

Field-Installable / Field-Use ONLY (purchased separately)

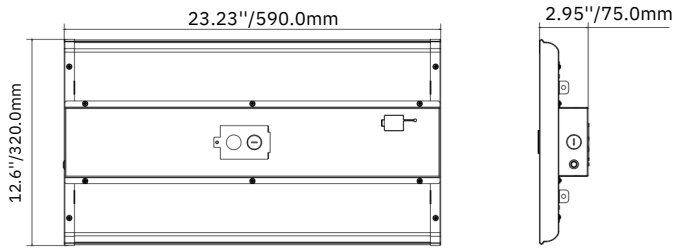
	<p>XSPM-1.5M-A-LHB Suspension Mount - 1.5m hanging length 2pcs (Default Include)</p>		<p>X-LHBD-XSM-A Surface Mount for X-LHBD</p>
	<p>XWGS-2FT-A-LHB Wire Guard - small size, 1pcs for X-LHBD2F105W~225W</p>		<p>XWGL-4FT-A-LHB Wire Guard - Large size, 1pcs for X-LHBD4F165W~300W</p>

Electrical Data

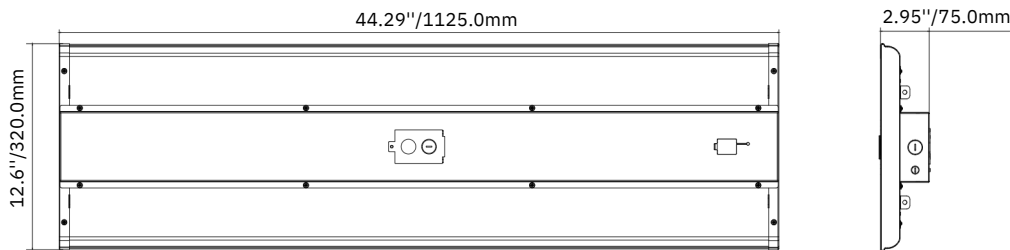
Wa age(W)	Current (A)					
	Input Voltage (V)					
	120	208	240	277	347	480
80	0.74	0.43	0.37	0.32	0.26	0.19
90	0.83	0.48	0.42	0.36	0.29	0.21
105	0.97	0.56	0.49	0.42	0.34	0.24
130	1.20	0.69	0.60	0.52	0.42	0.30
140	1.30	0.75	0.65	0.56	0.45	0.32
165	1.53	0.88	0.76	0.66	0.53	0.38
175	1.62	0.93	0.81	0.70	0.56	0.41
195	1.81	1.04	0.90	0.78	0.62	0.45
225	2.08	1.20	1.04	0.90	0.72	0.52
300	2.78	1.60	1.39	1.20	0.96	0.69
260	2.41	1.39	1.20	1.04	0.83	0.60
230	2.13	1.23	1.06	0.92	0.74	0.53

Dimensions

(105/90/80)W
 (165/140/130)W
 (225/195/175)W



(165/140/130)W
 (225/195/175)W
 (300/260/230)W



Shipping Information

Carton Size (in)	G.W. (lbs)	Per carton (pcs)	20GP (pcs)	40HQ (pcs)
25.20 x 7.68 x 14.96	16.80	2	986	2,712
25.20 x 7.68 x 14.96	16.80	2	986	2,712
25.20 x 7.68 x 14.96	16.80	2	986	2,712
46.26 x 7.68 x 14.96	25.97	2	534	1,470
46.26 x 7.68 x 14.96	25.97	2	534	1,470
46.26 x 7.68 x 14.96	25.97	2	534	1,470

Note: The packaging data can sometimes be outdated or incomplete. For the most reliable information, please reach out to us directly.