

WPC WALL PACK LIGHT

LED Semi Cut-off Wall Pack Light
with Selectable CCT and Lumen

Introduction

- ◆ The WPC series is available in lumen packages from 4,100 to 15,500 lumens with a wide and even distribution. Since WPC occupies the same area as a typical metal wall pack, it can completely cover unsightly stains.
- ◆ The WPC offers a high-quality borate polycarbonate lens, which works with a high-efficiency light engine to provide superior illumination.
- ◆ It comes with a photocell as a standard feature and an emergency battery backup as an optional feature.

Product Specifications

Construction:

- ◆ Rugged die-casting aluminum housing with bronze powder coating for durability. Castings are sealed with integral gaskets to prevent the ingress of external contaminants.

Electrical:

- ◆ Equipped with a 0-10V dimmable driver, the dimming wires are available for connection to a dimmer.
- ◆ Input voltage AC120-277V for US market, AC120-347V for Canada market, and 50/60Hz.
- ◆ Designed to withstand surges of up to L/N-PE:6kV and L-N:4kV.

Optics:

- ◆ Selectable CCT 3000K, 4000K or 5000K (Default setting), CRI >70.
- ◆ Polycarbonate lens.

Finish:

- ◆ Standard color is dark bronze

Ambient Temperature:

- ◆ -40° F (-40° C) to 113° F (45° C)



Product Selectable:



WATTAGE SELECTABLE



CCT SELECTABLE



WATTAGE SELECTABLE

Ordering Guide

EXAMPLE: X-WPC(63/45/30)W-(30/40/50K)UV-ZK

Brand X	Product name WPC	Wattage ¹ XXXW	CCT ² XXK	Input Voltage ³ AA	Photocell Z	Emergency Battery K
XS	WPC	(63/45/30)W (108/90/63)W	(30/40/50)K	UV=120-277V LV=120-347V	Blank=without photocell P=with photocell	Blank=without emergency, E=with emergency

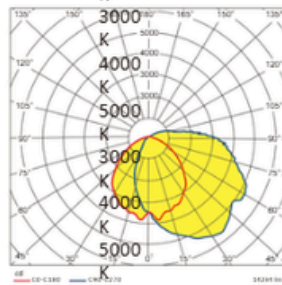
Note: 1.(63/45/30)W=63W, 45W, 30W Selectable, 63W default setting. (108/90/63)W=108W, 90W, 63W Selectable, 108W default setting.
2.(30/40/50)K=3000K, 4000K, 5000K Selectable, 5000K default setting.
3.The Input Voltage AC120-277V is for US Market, AC120-347V is for Canada Market.

Performance Data

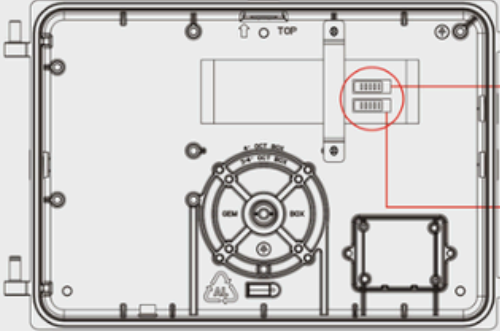
Lumen values are based on 120V AC input product configuration, contact for performance data on any configurations not shown here.

Lumen Level	Wa g e Selectable	Nominal CCT	CCT Selectable Lu mens	Wa s	LPW	CRI	
1	Yes	3000	Yes	30	138	>70	
		K		4,100	30		152
		4000		4,300	45		143
K		6,000		45	134		
5000		6,600		45	148		
K		6,300		63	139		
3000		8,190		63	130		
K		9,000		63	144		
4000		8,500		63	135		
2	Yes	K	8,700	63	138	>70	
		5000	9,600	63	152		
		K	8,900	90	141		
3000		12,100	90	134			
K		13,300	90	148			
4000		12,300	90	148			
K		14,040	108	137			
5000		15,500	108	130			
K		14,400	108	144			
3	Yes	3000	Yes	108	133	>70	
		K		4,100	108		144
		4000		4,300	108		133
K		6,000		108	144		
5000		6,600		108	133		
K		8,190		108	144		
3000		9,000		108	133		
K		8,500		108	144		
4000		8,700		108	133		

Photometrics



Power Selection And CCT Selection Capability



CCT Selection

Adjust CCT between 3000/4000/5000K, 5000K default selection

Power Selection


Power Selection	Default Selection
Adjust power between 63/45/30W	63W
Adjust power between 108/90/63W	108W

Note: Before Selection Power & CCT, loosen the 2 captive screws in the side of front housing, remove the front case set carefully from the back plate.

Accessories


Control Options

Comes as standard

	<p>XPC-B Photocell -With Sunshade Cover</p>
-------------------------------------------------------------------------------------	-------------------------------------------------

Emergency Battery Backup


Factory-Installable OR Field-Installable (field-installable purchased separately)

 <p>Emergency test button and indicator</p>	<p>XEBB29-8WDC Emergency Battery Backup EMX-08300DO-UH -8W/90min, for X-WPC-30W~108W, at AC120-277V/347V</p>
------------------------------------------------------------------------------------------------------------------------------	------------------------------------------------------------------------------------------------------------------------------------------------------------------------------------

Note: In emergency mode, (30/40/50)K Selectable: 3000K disabled, 4000K/5000K available.

Glare Shield

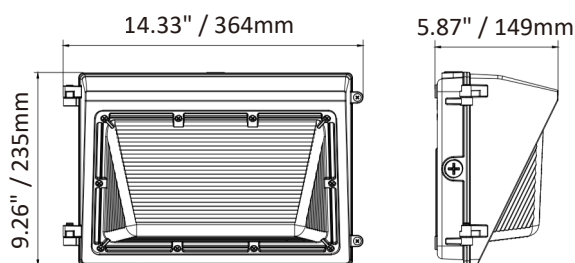
Field-Installable (field-installable purchased separately)

	<p>X-WPC-HGS-PCL-A External Half Glare Shield for PC Lens X-WPC</p>
-----------------------------------------------------------------------------------	-------------------------------------------------------------------------------------------------

Electrical Data

Wattage(W)	Current (A)				
	Input Voltage (V)				
	120	208	240	277	347
30	0.28	0.16	0.14	0.12	0.10
45	0.42	0.24	0.21	0.18	0.14
63	0.58	0.34	0.29	0.25	0.20
63	0.58	0.34	0.29	0.25	0.20
90	0.83	0.48	0.42	0.36	0.29
108	1.00	0.58	0.50	0.43	0.35

Dimensions



Shipping Information

Carton Size (in)	G.W. (lbs)	Per carton (pcs)	20GP (pcs)	40HQ (pcs)
15.75 x 11.34 x 7.64	6.88	1	1,034	2,844
15.75 x 11.34 x 7.64	6.88	1	1,034	2,844

Note: The packaging data can sometimes be outdated or incomplete. For the most reliable information, please reach out to us directly.