

WPE WALL PACK LIGHT

LED Semi Cut-off Wall Pack Light
with Selectable CCT and Lumen

Introduction

- ◆ The WPE LED wall pack light is an energy-efficient, cost-effective, and aesthetically appealing solution for both HID wall pack replacement and new construction opportunities.
- ◆ WPE Series has the ability to switch lumens and adjust CCT in one fixture, making it versatile enough to handle countless applications.
- ◆ The WPE fully covers the footprint of the medium HID wall packs that they replace, providing a neat installation and an upgraded appearance.
- ◆ It comes with a photocell as a standard feature and an emergency battery backup as an optional feature.

Product Specifications

Construction:

- ◆ Rugged die-casting aluminum housing with bronze powder coating for durability. Castings are sealed with integral gaskets to prevent the ingress of external contaminants.

Electrical:

- ◆ Equipped with a 0-10V dimmable driver, the dimming wires are available for connection to a dimmer.
- ◆ Input voltage AC120-277V for US market, AC120-347V for Canada market, and 50/60Hz.
- ◆ Designed to withstand surges of up to L/N-PE:6kV and L-N:4kV.

Optics:

- ◆ Selectable CCT 3000K, 4000K or 5000K (Default setting), CRI >70.
- ◆ High quality tempered glass diffuser with wide beam distribution.

Finish:

- ◆ Standard color is dark bronze

Ambient Temperature:

- ◆ -40° F (-40° C) to 122° F (50° C)



63WS
90WS
125WS

Wattage
Selectable

3000K 4000K 5000K

CCT SELECTABLE



Ordering Guide

EXAMPLE: XWPE125WSCSALVP

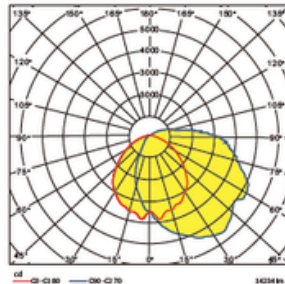
| Brand X | Product name WPE | Wattage XXXWS | CCT XXX | Input Voltage AA | Photocell Y | Emergency Battery Z |
|------------|---------------------|---|---|---------------------|---|---|
| XSY | WPE | 63WS=63W/53W/33W 90WS=90W/76W/45W 125WS=125W/105W/76W Note: WS=Wattages Selectable | CSA=3000K/4000K/5000K Note: CSA=CCT Selectable | LV=120-277/347V | Blank=without photocell P=with photocell | Blank=without emergency E=with emergency |

Performance Data

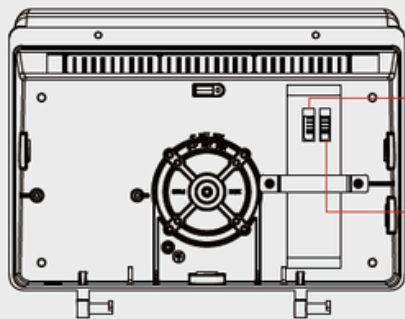
Lumen values are based on 120V AC input product configuration, contact for performance data on any configurations not shown here.

| Model Number | Lumen Level | Wattage Selectable | Nominal CCT | CCT Selectable | Lumens | Watts | LPW | CRI |
|--------------|-------------|--------------------|-------------|----------------|--------|-------|-----|-----|
| | 1 | Yes | 3000 | Yes | 4,650 | 33 | 141 | >70 |
| | | | 4000 | | 5,050 | 33 | 152 | |
| | | | 5000 | | 4,700 | 33 | 142 | |
| | 2 | | 3000 | | 7,100 | 53 | 134 | |
| | | | 4000 | | 7,700 | 53 | 145 | |
| | | | 5000 | | 7,150 | 53 | 135 | |
| | 3 | | 3000 | | 8,190 | 63 | 130 | |
| | | | 4000 | | 8,850 | 63 | 141 | |
| | | | 5000 | | 8,250 | 63 | 131 | |
| | 1 | Yes | 3000 | Yes | 6,450 | 45 | 143 | >70 |
| | | | 4000 | | 7,100 | 45 | 158 | |
| | | | 5000 | | 6,600 | 45 | 147 | |
| | 2 | | 3000 | | 10,200 | 76 | 134 | |
| | | | 4000 | | 11,200 | 76 | 148 | |
| | | | 5000 | | 10,400 | 76 | 137 | |
| | 3 | | 3000 | | 11,700 | 90 | 130 | |
| | | | 4000 | | 12,900 | 90 | 143 | |
| | | | 5000 | | 11,950 | 90 | 133 | |
| | 1 | Yes | 3000 | Yes | 10,900 | 76 | 143 | >70 |
| | | | 4000 | | 11,700 | 76 | 154 | |
| | | | 5000 | | 11,000 | 76 | 145 | |
| | 2 | | 3000 | | 14,200 | 105 | 136 | |
| | | | 4000 | | 15,250 | 105 | 146 | |
| | | | 5000 | | 14,350 | 105 | 137 | |
| | 3 | | 3000 | | 16,250 | 125 | 130 | |
| | | | 4000 | | 17,450 | 125 | 140 | |
| | | | 5000 | | 16,400 | 125 | 132 | |

Photometrics



Power Selection And CCT Selection Capability



- 3000K
- 4000K
- 5000K

CCT Setting

Adjust CCT between 3000/4000/5000K, 5000K default setting

- 1
- 2
- 3

Power Setting

| Power Selection | Default Setting |
|----------------------------------|-----------------|
| Adjust power between 63/53/33W | 63W |
| Adjust power between 90/76/45W | 90W |
| Adjust power between 125/105/76W | 125W |

Note: Before Setting Power & CCT, loosen the 2 captive screws in the side of front housing, remove the front case set carefully from the back plate.

Accessories

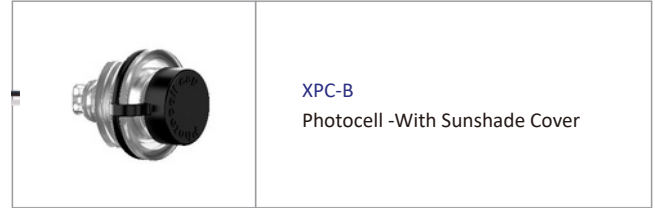
Emergency Battery Backup

Factory-Installable OR Field-Installable (field-installable purchased separately) Comes as standard



Note: In emergency mode, (30/40/50)K Selectable: 3000K disabled, 4000K/5000K available.

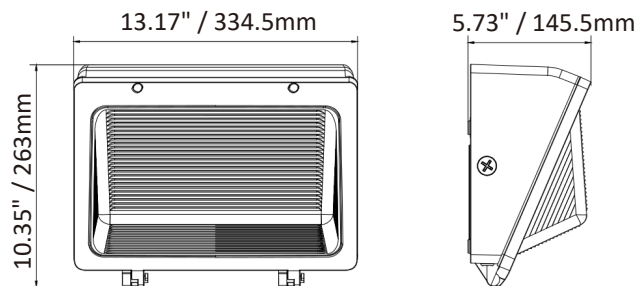
Control Options



Electrical Data

| Wa age(W) | Current (A) | | | | |
|-----------|-------------------|------|------|------|------|
| | Input Voltage (V) | | | | |
| | 120 | 208 | 240 | 277 | 347 |
| 33 | 0.31 | 0.18 | 0.15 | 0.13 | 0.11 |
| 53 | 0.49 | 0.28 | 0.25 | 0.21 | 0.17 |
| 63 | 0.58 | 0.34 | 0.29 | 0.25 | 0.20 |
| 45 | 0.42 | 0.24 | 0.21 | 0.18 | 0.14 |
| 76 | 0.70 | 0.41 | 0.35 | 0.30 | 0.24 |
| 90 | 0.83 | 0.48 | 0.42 | 0.36 | 0.29 |
| 76 | 0.70 | 0.41 | 0.35 | 0.30 | 0.24 |
| 105 | 0.97 | 0.56 | 0.49 | 0.42 | 0.34 |
| 125 | 1.16 | 0.67 | 0.58 | 0.50 | 0.40 |

Dimensions



Shipping Information

| Carton Size (in) | G.W. (lbs) | Per carton (pcs) | 20GP (pcs) | 40HQ (pcs) |
|----------------------|------------|------------------|------------|------------|
| 16.06 x 12.36 x 7.95 | 10.23 | 1 | 871 | 2,395 |
| 16.06 x 12.36 x 7.95 | 10.23 | 1 | 871 | 2,395 |
| 16.06 x 12.36 x 7.95 | 10.23 | 1 | 871 | 2,395 |

Note: The packaging data can sometimes be outdated or incomplete. For the most reliable information, please reach out to us directly.